

INDUSTRIAL CATALOG

2024 Rev. 1 03/25/2024



Blue-White[®]

Revision 1 update(03/10/24) includes the following modifications and updates:

1. CO² Feed System now includes injector with standard shipment.
2. C-600P - 220V model now includes power cord in place of junction box.
3. C-600P/C-600HV - correction - 250 rpm and 45 rpm models not available in 12VDC.
4. Tube Tool no longer provided with pumps (exception A2 pump.)
5. Changes to fittings provided with CD3 pump. Options added to part number matrix.
6. Spares Kits added to CD3 pump.
7. CD1 Standoff part number change. (Replace part #76001-966 with #90018-087)
8. New "Elbow" adapter options are offered on CD1 pump. Revised part number matrix with options for installed adapters on pumps.
9. Additional adapter kits added to CD1 spare parts.
10. Skid Fittings (pump to skid) page added. Required kits when ordering skid with pumps that include "M" or "F" connectors.
11. Added F-1000 / F-2000 flow rate information to page 60, 62.
12. Removed A100NE spare parts page. (parts exclusive to the A100NE pump are now obsolete.)
13. CD1 Flow rate correction on page 22.
14. Added EP O-rings to flow meter spare parts.



+1 (714) 893 - 8529



sales@blue-white.com



customerservice@blue-white.com



5300 Business Drive
Huntington Beach, CA 92649

Table of Contents

POLICY **4**

PERISTALTIC PUMPS **5**

A1 6

A2 8

A3 10

A4 12

A5 14

A-100N 16

A-100N (Polymer) 18

Peristaltic Pump Warranty 20

DIAPHRAGM PUMPS **21**

CD1 22

CD3 24

C2 26

C3 28

C-600P 30

C-600HV 32

C-1500N 34

Diaphragm Pump Warranty 36

SKID SYSTEMS **37**

Plastic

CFPS-1 38

CFPS-2 40

CFPS-3 42

Wall

CFWS-1 44

CFWS-2 46

Metal

CFS-1 48

CFS-2 50

Skid Adapter Kits 52

Skid System Warranty 54

FLOW METERS **55**

Ultrasonic Flow Meters

MS6 56

Paddlewheel Flow Meters

Micro-Flo 58

F-1000 60

F-2000 62

Variable Area Flow Meters

F-300 64

F-300M 66

F-400 68

F-410 70

F-420 72

F-430 74

F-550 76

F-440 78

F-450 80

F-451 82

F-452 84

F-460 86

F-461 88

F-462 90

Flow Meter Warranty 92

TANKS AND ACCESSORIES **93**

STAR III TANK 94

CHEMICAL TANK 95

C-1500 STAR TANK 96

ACCESSORIES 96

CO₂ FEED SYSTEM **103**

REPLACEMENT PARTS **107**

POLICY

DEALERS

Please contact the factory for the stocking outlet nearest you.

MINIMUM ORDER

The minimum acceptable order is \$150.00. There are no exceptions.

TERMS

Terms are NET 30 DAYS on approved credit. We do not ship orders to accounts with past-due balances. If you have not established open account terms with Blue-White, you may prepay your order or pay with a credit card. All major credit cards are accepted.

PAYMENT POLICY

Net amount of invoice is due in full according to terms. A service charge of 1.5% will be added to outstanding balances beyond the term limit.

Any account over 45 days will be subject to credit hold.

FREIGHT

For all allowable items, our normal means of shipment is via United Parcel Service. Should you wish an alternate means of shipment, you must advise the factory at the time you place your order. All shipments ship Ex Works. Buyer assumes all responsibilities for transit and delivery.

RETURNED GOODS

Any merchandise being returned to the factory, regardless of the reason for the return, must have a Returned Merchandise Authorization number. Contact our in-house sales staff for an RMA number. The factory does not accept C.O.D. shipments.

All returns are subject to a restock charge.

Blue-White does not permit the return of products because of overstock, discontinued products, etc. Under no circumstance will the factory consider the return of products over six months old from date of original factory shipment.

ORDER ADD-ON

Please be certain your order is complete when placed. Since orders are immediately entered into the computer as received, we may not be able to "add-on" later. Your understanding of this situation, and your cooperation are most appreciated. Any changes to a current order may result in extended lead times.

Possession of this price schedule does not guarantee the right to purchase directly from the factory. F.O.B. Huntington Beach, CA

See instruction manual at www.blue-white.com for detailed installation and operating requirements.

PROCEDURE FOR IN WARRANTY REPAIR

Warranty service must be performed by the factory or an authorized service center. Contact the factory or local repair center to obtain a RMA (Return Material Authorization) number. It is recommended to include foot strainer and injection/check valve fitting since these devices may be clogged and part of the problem. Decontaminate, dry, and carefully pack the product to be repaired. Please enclose a brief description of the problem and proof of purchase. Prepay all shipping and insurance cost. COD shipments will not be accepted. Damage caused by improper packaging is the responsibility of the sender. When In-Warranty repair is completed, the factory pays for return shipping to the dealer or customer.

PRODUCT USE WARNING

Blue-White products are manufactured to meet the highest quality standards in the industry. Each product instruction manual includes a description of the associated product warranty and provides the user with important safety information. Purchasers, installers, and operators of Blue-White products should take the time to inform themselves about the safe operation of these products. In addition, Customers are expected to do their own due diligence regarding which products and materials are best suited for their intended applications. BLUE-WHITE is pleased to assist in this effort but does not guarantee the suitability of any particular product for any specific application as Blue-White does not have the same degree of familiarity with the application that the customer/end user has. While BLUE-WHITE will honor all of its product warranties according to their terms and conditions, Blue-White shall only be obligated to repair or replace its defective parts or products in accordance with the associated product warranties.

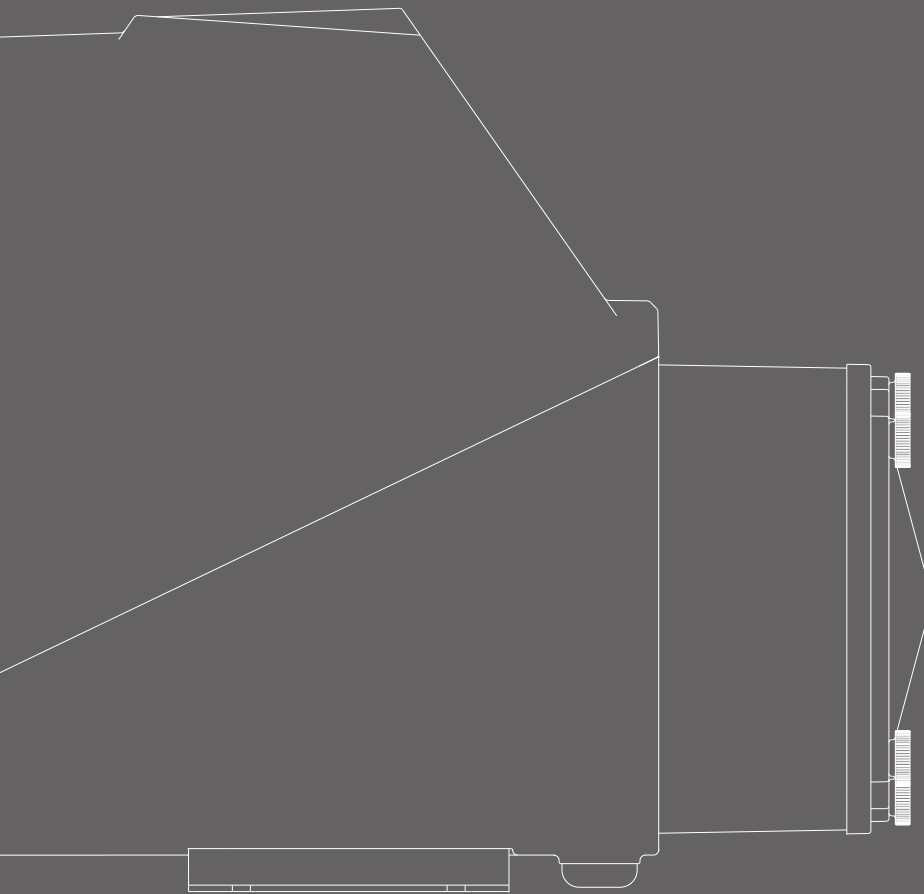
BLUE-WHITE SHALL NOT BE LIABLE EITHER IN TORT OR IN CONTRACT FOR ANY LOSS OR DAMAGE WHETHER DIRECT, INDIRECT, INCIDENTAL, OR CONSEQUENTIAL, ARISING OUT OF OR RELATED TO THE FAILURE OF ANY OF ITS PARTS OR PRODUCTS OR OF THEIR UNSUITABILITY FOR A GIVEN PURPOSE OR APPLICATION.

CHEMICAL RESISTANCE WARNING

BLUE-WHITE offers a wide variety of wetted parts. Purchasers, installers, and operators of Blue-White products must be well informed and aware of the precautions to be taken when injecting or measuring various chemicals, especially those considered to be irritants, contaminants or hazardous. Customers are expected to do their own due diligence regarding which products and materials are best suited for their applications, particularly as it may relate to the potential effects of certain chemicals on Blue-White products and the potential for adverse chemical interactions. Blue-White tests its products with water only. The chemical resistance information included in this instruction manual was supplied to BLUE-WHITE by reputable sources, but Blue-White is not able to vouch for the accuracy or completeness thereof. While BLUE-WHITE will honor all of its product warranties according to their terms and conditions, Blue-White shall only be obligated to repair or replace its defective parts or products in accordance with the associated product warranties.

BLUE-WHITE SHALL NOT BE LIABLE EITHER IN TORT OR IN CONTRACT FOR ANY LOSS OR DAMAGE, WHETHER DIRECT, INDIRECT, INCIDENTAL, OR CONSEQUENTIAL, ARISING OUT OF OR RELATED TO THE USE OF CHEMICALS IN CONNECTION WITH ANY BLUE-WHITE PRODUCTS.

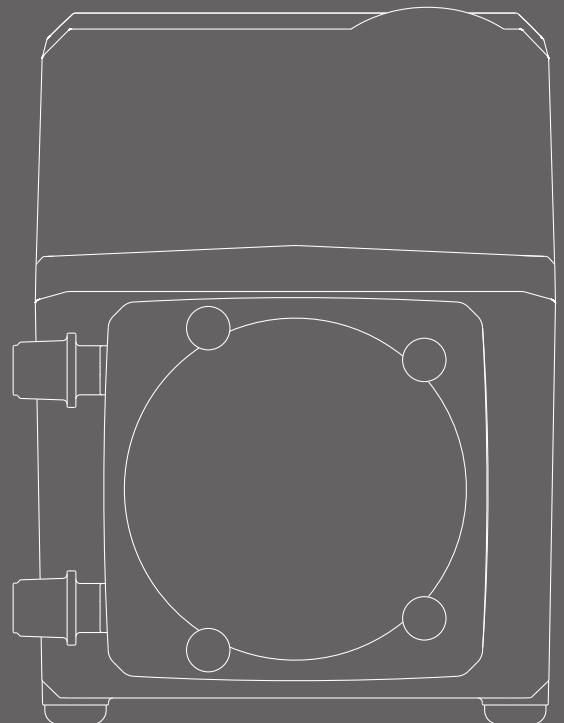
Users of electrical and electronic equipment (EEE) with the WEEE marking per Annex IV of the WEEE Directive must not dispose of end of life EEE as unsorted municipal waste, but use the collection framework available to them for the return, recycle, recovery of WEEE and minimize any potential effects of EEE on the environment and human health due to the presence of hazardous substances. The WEEE marking applies only to countries within the European Union (EU) and Norway. Appliances are labeled in accordance with European Directive 2002/96/EC. Contact your local waste recovery agency for a Designated Collection Facility in your area.



INDUSTRIAL

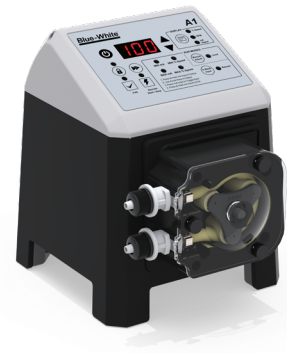
Peristaltic
Metering Pumps

Blue-White[®]



A1

FLEXFLO® Peristaltic Metering Pump



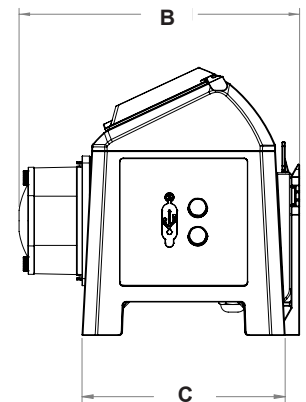
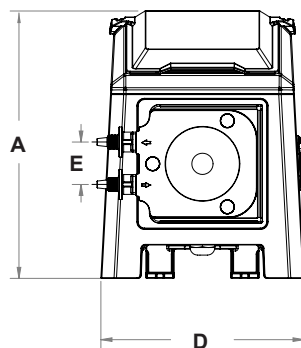
- > Tube Failure Detection senses tube rupture, no false triggering
- > Heavy duty display shield protects pump controls
- > Remote Start/Stop, which is one non-powered dry contact closure
- > Relay outputs include a single 250V/3A and a single solid-state
- > Manual Speed Adjust
- > SCADA I/O: 4-20 mA input, 4-20 mA output

Highlights

Flow range	Pressures up to	Turndown ratio	Suction lift
.001 - 5.60 GPH .011 - 21.2 LPH	100 PSI (6.89 bar)	2,000 : 1	30 ft. Water at sea level (14.7 atm psi)
Exclusive	Motor	Weight	Warranty
Tube Failure Detection (TFD+)	Brushless DC	6 lb. (2.7 Kg)	2 Years

Dimensions

Dim	Inch	cm	Dim	Inch	cm
A	9.46"	24.02	D	7.18"	18.23
B	9.92"	25.19	E	1.5"	3.81
C	7.18"	18.23			



What's in the box

A1 Peristaltic Metering Pump
Two tube assemblies (one installed, one spare)

With "T" Compression Tube Fittings:

Suction tube – clear PVC
5' length (3/8" OD, 1/4" ID)
Suction strainer (C-342-6)
Suction ceramic weight
Discharge tube – opaque polyethylene
5' length (3/8" OD, 1/4" ID)
Discharge injection fitting with 1/2 psi check (A-014NK-6A)

With "M: MNPT Tube Fittings:

Suction foot strainer (71000-824)
Discharge injection fitting with 1/2 psi check (71000-767)

Mounting hardware kit
Display shield
Tube nuts (x2)

Instruction manual

M12 Cables not included.


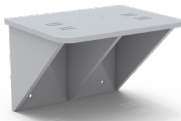







Model Number Matrix

FLEXFLO® Model Number

A1	FLEXFLO® Peristaltic Metering Pump					
Series						
F	Standard Control Methods (Manual, Remote On/Off)					
V	4-20mA Input, 4-20mA Output, In Addition to Standard Control Methods (Manual, Remote)					
Power Cord (Operating voltage requirement 96VAC to 264VAC)						
4	115V 50/60Hz, NEMA 5/15 plug (US)	6	220V 50/60Hz, CEE 7/11 plug (EU)			
		X	No Power Cord			
Pump Tube Size and Material						
1	1/4" OD Flex-A-Thane® 0.001 – 1.09 GPH .035 - 69 mL/Min 65 PSI (4.5 bar)					
3	7/16" OD Flex-A-Thane® 0.003 – 5.60 GPH .176 - 353 mL/Min 50 PSI (3.45 bar)					
4	1/4" OD Flex-A-Prene® 0.001 - 0.44 GPH .014 - 28 mL/Min 100 PSI (6.89 bar)					
6	3/8" OD Flex-A-Prene® 0.001 – 1.35 GPH .043 - 85 mL/Min 100 PSI (6.89 bar)					
7	7/16" OD Flex-A-Prene® 0.002 – 4.17 GPH .132 - 263 mL/Min 50 PSI (3.45 bar)					
8	7/16" OD Flex-A-Chem® 0.002 – 3.09 GPH .098 - 195 mL/Min 50 PSI (3.45 bar)					
Inlet/Outlet Connection Size, Connection Type						
T	3/8" OD x 1/4" Tube Compression Fitting					
M	1/2" Male NPT Fitting					
MB	1/2" Male BSPT Fitting, Natural PVDF (Kynar)					
A1	F	4	-	1	T	Sample Model Number

Accessories

 <p>KIT-S07 KIT-S15 KIT-S30</p> <p>* Includes cover and foot valve</p> <p>KIT-S07 (7 Gallon), KIT-S15 (15 Gallon), KIT-S30 (30 Gallon) STAR III TANKS, PP</p>	 <p>KIT-PSM WALL MOUNT BRACKET, HDPE</p>		
<p>90010-663 115V/60Hz NEMA 5/15 90010-664 220V/50Hz CEE 7/11 90010-665 230V/50Hz BS 1363/A 90010-666 240V/50Hz AS 3112 90010-696 230V/60Hz NEMA 6/15 90010-821 115V Lockable</p> <p>POWER CABLES - 6 ft</p>	 <p>CABLE-UAC USB A-C CABLE - 3 ft</p>	 <p>KIT-M12 TWO M12 CABLES - 9.8 ft</p>	 <p>A1-(see spare parts page) Spare Tube Element</p>
 <p>TI40-6V T.I. INJECTOR, 3/8" OD</p>	 <p>C-340A FOOT VALVE</p>	<p>Visit Accessory Pages for More Options</p>	

A2

FLEXFLO® Peristaltic Metering Pump



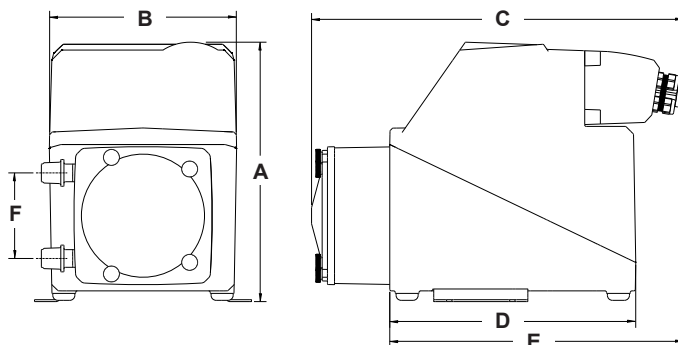
- > Self priming chemical metering pump delivers smooth chemical feed
- > Patented Tube Failure Detection senses tube rupture
- > Signal inputs include: 4-20mA, Pulse Inputs, Frequency Inputs
- > Signal outputs include: Relay (3 amp), 4-20mA (optional), Motor Status

Highlights

Flow range .02 - 21.23 GPH .07 - 80.4 LPH	Pressures up to 125 (8.6 bar)	Turndown ratio 100 : 1	Suction lift 30 ft. Water at sea level (14.7 atm psi)
Exclusive Tube Failure Detection (TFD)	Motor Brushed DC	Weight 28.4 lb. (12.9 Kg)	Warranty 2 Years

Dimensions

Dim	Inch	cm	Dim	Inch	cm
A	10.25"	26	D	9.5"	24.1
B	7.5"	19	E	11"	27.9
C	14"	35.6	F	3.38"	8.6



What's in the box

A2 Peristaltic Metering Pump
Two tube assemblies (one installed, one spare)
Tube installation tool
Mounting hardware kit
QR Code link to Operating Manual

With "S" 3/8" OD x 1/4" ID tubing compression type connections:

- Suction tube – clear PVC – 10' length (3/8" OD, 1/4" ID)
- Suction strainer (C-342-6) and ceramic weight
- Discharge tube – opaque polyethylene – 10' (3/8" OD, 1/4" ID)
- Discharge injector "S", PVDF/Aflas, with 1/2 psi check (A-014NK-6A)

With "B" 1/2" hose barb type connections:

- Suction strainer, PVDF with 1/2" Barb. (71000-825)
- Discharge injector "B", PVDF/Aflas with 1/2 psi check (7100-770)

With "M" MNPT type connections:

- Suction strainer, PVDF with 1/2" MNPT (71000-824)
- Discharge injector "M", PVDF/Aflas with 1/2 psi check (7100-767)

No accessories with "C" Tri-clamp and "Q" Quick Disconnect



Model Number Matrix

FLEXFLO® Model Number

A2	FLEXFLO® Peristaltic Metering Pump										
Series Control Options											
V	Multiple automatic input output control and alarm modes (remote control)										
Power Cord (operating voltage requirement 96VAC to 264VAC)											
4	115V / 60HZ, power cord NEMA 5/15 plug (US)	8	240V / 50HZ, power cord AS 3112 plug (AU/New Zealand)								
5	230V / 60HZ, power cord NEMA 6/15 plug (US)	9	230V / 50HZ, power cord BS 1363 plug (UK)								
6	220V / 50HZ, power cord CEE 7/VII plug (EU)	X	No Power Cord								
Inlet/Outlet Connection Size, Connection Type, Connection Material											
S	3/8" OD x 1/4" ID Tube Compression Fitting, Natural PVDF (Kynar)										
M	1/2" Male NPT Fitting, Natural PVDF (Kynar)										
B	1/2" ID Tubing Barb Fitting, Natural PVDF (Kynar), available for ND, NEE, NGG, and G2G only										
C	1/2"-3/4" Tri-clamp connections, Natural PVDF (Kynar), available for ND, NEE, NGG, and G2G only										
Q	Quick Disconnect, Natural PVDF (Kynar), available for ND, NEE, NGG, and G2G only (valves sold separately)										
MB	1/2" Male BSPT Fitting, Natural PVDF (Kynar)										
Pump Tube Material, Pump Tube Size											
ND	Flex-A-Prene® .075 ID .02-1.7 GPH 125 PSI	GE	Flex-A-Thane® .125 ID .04-4.0 GPH 65 PSI								
NEE	Flex-A-Prene® .093 ID .044-4.44 GPH 110 PSI	GG	Flex-A-Thane® .187 ID .09-9.3 GPH 65 PSI								
NGG	Flex-A-Prene® .187 ID .172-17.2 GPH 110 PSI	G2G	Flex-A-Thane® .312 ID .15-14.98 GPH 65 PSI								
TH	Flex-A-Chem® .250 ID .14-14.3 GPH 50 PSI	GH	Flex-A-Thane® .312 ID .21-21.23 GPH 65 PSI								
mA Output											
(Blank)	Standard										
3	4-20 mA Analog Output										
Pumphead Orientation											
(Blank)	Standard - Left facing pumphead										
R	Right facing pumphead										
D	Down facing pumphead										
A2	V	2	4	-	S	ND	-	3	(Blank)	D	Sample Model Number

Accessories



1/4" x 3/8" "S" Fitting
1/2" Hose Barb "B" Fitting
1/2" MNPT "M" Fitting

Quick Disconnects


- *KIT-QSV FKM O-rings
- *KIT-QSE EP O-rings
- *KIT-QSA Aflas O-rings
- *KIT-QBV FKM
- *KIT-QBE EP
- *KIT-QBA Aflas
- *KIT-QMV FKM
- *KIT-QME EP
- *KIT-QMA Aflas



KIT-PSM
Wall Mount Bracket, HDPE



TI40-6V
T.I. INJECTOR, 3/8" OD



C-340A
FOOT VALVE

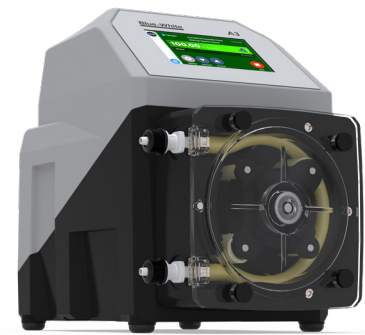


A2-(see spare parts page)
Spare Tube Element

Visit Accessory Pages for More Options

A3

FLEXFLO® Peristaltic Metering Pump



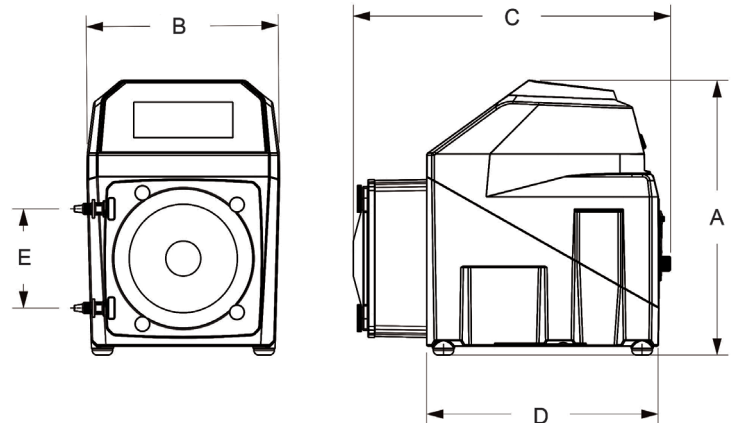
- > Self priming chemical metering pump delivers smooth chemical feed
- > Patented Tube Failure Detection senses tube rupture
- > Signal inputs include: 4-20mA, Pulse Inputs, Frequency Inputs
- > Signal outputs include: 4-20mA, Frequency Output, one 250V/6 AMP relay output, three 125V/1A outputs
- > Communications Protocols: Ethernet IP, Profibus, Modbus TCP

Highlights

Flow range	Pressures up to	Turndown ratio	Suction lift
.001 - 33.3 GPH .003 - 126 LPH	125 PSI (8.6 bar)	2,500 : 1	30 ft. Water, 0 psig (9.14 m, 0 bar)
Exclusive	Motor	Weight	Warranty
Tube Failure Detection (TFD)	Brushless DC	25.4 lb. (11.5 Kg)	2 Years

Dimensions

Dim	Inch	cm	Dim	Inch	cm
A	11.75"	29.8	D	10.5"	26.5
B	8.25"	20.9	E	4.25"	10.8
C	13.5"	34.5			



What's in the box

A3 Peristaltic Metering Pump
Two tube assemblies (one installed, one spare)
Mounting hardware kit
QR Code link to Operating Manual

With "S" 3/8" OD x 1/4" ID tubing compression type connections:

- Suction tube – clear PVC – 10' length (3/8" OD, 1/4" ID)
- Suction strainer (C-342-6) and ceramic weight
- Discharge tube – opaque polyethylene – 10' (3/8" OD, 1/4" ID)
- Discharge injector "S", PVDF/Aflas, with 1/2 psi check (A-014NK-6A)

With "B" 1/2" hose barb type connections:

- Suction strainer, PVDF with 1/2" Barb. (71000-825)
- Discharge injector "B", PVDF/Aflas with 1/2 psi check (71000-770)

With "M" MNPT type connections:

- Suction strainer, PVDF with 1/2" MNPT (71000-824)
- Discharge injector "M", PVDF/Aflas with 1/2 psi check (71000-767)

No accessories with "C" Tri-clamp and "Q" Quick Disconnect

M12 Cables not included.




Model Number Matrix

FLEXFLO® Model Number

A3	FLEXFLO® A3 Peristaltic Metering Pump							
Power Cord (operating voltage requirement 96VAC to 264VAC)								
4	115V / 60HZ, power cord NEMA 5/15 plug (US)							
6	220V / 50HZ, power cord CEE 7/VII plug (EU)							
X	No Power Cord							
Inlet/Outlet Connection Size, Connection Type, Connection Material								
S	3/8" OD x 1/4" ID Tube Compression Fitting, Natural PVDF (Kynar)							
M	1/2" Male NPT Fitting, Natural PVDF (Kynar)							
B	1/2" ID Tubing Barb Fitting, Natural PVDF (Kynar), available for ND, NEE, NGG, NKL, and G2G only							
C	1/2"-3/4" Tri-clamp connections, Natural PVDF (Kynar), available for ND, NEE, NGG, NKL, and G2G only							
Q	Quick Disconnect, Natural PVDF (Kynar): ND, NEE, NGG, NKL, and G2G only (Valves sold separately)							
MB	1/2" Male BSPT Fitting, Natural PVDF (Kynar)							
Pump Tube Material, Pump Tube Size								
ND	Flex-A-Prene® .075 ID .001-2.1 GPH 125 PSI	GE	Flex-A-Thane® .125 ID .002-4.60 GPH 65 PSI					
NEE	Flex-A-Prene® .093 ID .002-4.76 GPH 110 PSI	GG	Flex-A-Thane® .187 ID .004-10.1 GPH 65 PSI					
NGG	Flex-A-Prene® .187 ID .007-19.02 GPH 110 PSI	G2G	Flex-A-Thane® .187 ID .007-18.23 GPH 65 PSI					
NK	Flex-A-Prene® .375 ID .013-33.3 GPH 125 PSI	GH	Flex-A-Thane® .312 ID .010-24.9 GPH 65 PSI					
NKL	Flex-A-Prene® .375 ID .013-33.3 GPH 30 PSI	GK	Flex-A-Thane® .375 ID .011-28.5 GPH 65 PSI					
NHL	Flex-A-Prene® .250 ID .006-17.39 GPH 65 PSI	TH	Flex-A-Chem® .250 ID .006-15.06 GPH 50 PSI					
		TK	Flex-A-Chem® .375 ID .011-28.5 GPH 50 PSI					
Pumhead Orientation								
(Blank)	Standard - Left facing pumphead							
R	Right facing pumphead							
D	Down facing pumphead							
A3	S	V	2	4	-	S	ND	Sample Model Number

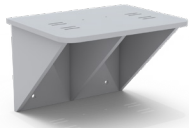
Accessories



1/4" x 3/8" "S" Fitting
1/2" Hose Barb "B" Fitting
1/2" MNPT "M" Fitting

Quick Disconnects

- *KIT-QSV FKM O-rings
- *KIT-QSE EP O-rings
- *KIT-QSA Aflas O-rings
- *KIT-QBV FKM
- *KIT-QBE EP
- *KIT-QBA Aflas
- *KIT-QMV FKM
- *KIT-QME EP
- *KIT-QMA Aflas



KIT-PSM
Wall Mount Bracket, HDPE



KIT-M12
Two M12 Cables - 9.8 ft.

90010-663 115V/60Hz NEMA 5/15
90010-664 220V/50Hz CEE 7/V11
90010-665 230V/50Hz BS 1363/A
90010-666 240V/50Hz AS 3112
90010-696 230V/60Hz NEMA 6/15
90010-711 115V Lockable

POWER CABLES - 6 ft



KIT-DP3
Profibus Cable, 3 ft



TI40-6V
T.I. Injector, 3/8" OD

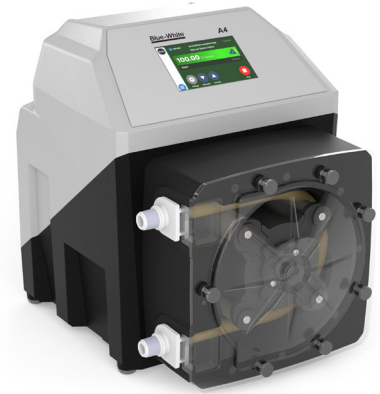


C-340-A
FOOT VALVE

Visit Accessory Pages for More Options

A4

FLEXFLO® Peristaltic Metering Pump



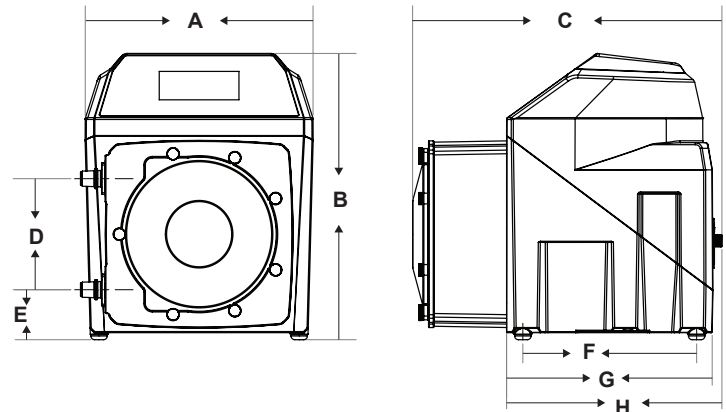
- > Self priming chemical metering pump delivers smooth chemical feed
- > Patented Tube Failure Detection senses tube rupture
- > Signal inputs include: 4-20mA, Pulse Inputs, Frequency Inputs
- > Signal outputs include: 4-20mA, Frequency Output, one 250V/6 AMP relay output, three 125V/1A
- > Communications Protocols: Ethernet IP, Profibus, Modbus TCP

Highlights

Flow range	Pressures up to	Turndown ratio	Suction lift
.01 - 158.5 GPH .04 - 600 LPH	125 PSI (8.6 bar)	2,500 : 1	30 ft. Water, 0 psig (9.14 m, 0 bar)
Exclusive	Motor	Weight	Warranty
Tube Failure Detection (TFD)	Brushless DC	45.5 lb. (20.64 Kg)	2 Years

Dimensions

Dim	Inch	cm	Dim	Inch	cm
A	12.1"	30.8	E	2.7"	6.8
B	15.3"	38.8	F	9.3"	23.5
C	16.5"	41.9	G	11.0"	27.8
D	5.9"	15.0	H	11.5"	29.2



What's in the box

A4 Peristaltic Metering Pump
 Two tube assemblies (one installed, one spare)
 Mounting hardware kit
 QR Code link to Operating Manual
 M12 Cables not included.

- With "B" 1/2" hose barb type connections:**
- Suction strainer, PVDF with 1/2" Barb. (71000-825)
 - Discharge injector "B", PVDF/Aflas with 1/2 psi check (7100-770)
- With "M" MNPT type connections:**
- Suction strainer, PVDF with 1/2" MNPT (71000-824)
 - Discharge injector "M", PVDF/Aflas with 1/2 psi check (7100-767)
- No accessories with "C" Tri-clamp and "Q" Quick Disconnect




Model Number Matrix

FLEXFLO® Model Number

A4	FLEXFLO® A4 Peristaltic Metering Pump							
Power Cord (operating voltage requirement 96VAC to 264VAC)								
4	115V / 60HZ, power cord NEMA 5/15 plug (US)							
6	220V / 50HZ, power cord CEE 7/VII plug (EU)							
X	No Power Cord							
Inlet/Outlet Connection Size, Connection Type, Connection Material								
M	1/2" Male NPT Fitting, Natural PVDF (Kynar)							
B	1/2" ID Tubing Barb Fitting, Natural PVDF (Kynar)							
C	1/2" - 3/4" Tri-clamp connections, Natural PVDF (Kynar)							
Q	Quick Disconnect, Natural PVDF (Kynar), NP flow rate reduced 16.5% with Quick Disconnect connections (Valves sold separately)							
MB	1/2" Male BSPT Fitting, Natural PVDF (Kynar)							
Pump Tube Material, Pump Tube Size NOTE: * = Dual tube								
NH	Flex-A-Prene® .250 ID .01–28.5 GPH 125 PSI	GH	Flex-A-Thane® .312 ID .01–39.6 GPH 65 PSI					
NHH*	Flex-A-Prene® .250 ID .02–54.0 GPH 100 PSI	GHH*	Flex-A-Thane® .312 ID .03–71 GPH 65 PSI					
NHHL*	Flex-A-Prene® .250 ID .02–54.0 GPH 65 PSI	GK	Flex-A-Thane® .375 ID .02–55.5 GPH 65 PSI					
NHL	Flex-A-Prene® .250 ID .01–28.5 GPH 65 PSI	GKK*	Flex-A-Thane® .375 ID .04–100 GPH 65 PSI					
NK	Flex-A-Prene® .375 ID .02–50.7 GPH 80 PSI	TH	Flex-A-Chem® .250 ID .01–25.4 GPH 30 PSI					
NL	Flex-A-Prene® .500 ID .04–100.0 GPH 50 PSI	TK	Flex-A-Chem® .375 ID .02–54.0 GPH 30 PSI					
NP	Flex-A-Prene® .750 ID .06–158.5 GPH 30 PSI	TKK*	Flex-A-Chem® .375 ID .05–126 GPH 30 PSI					
Pumphead Orientation								
(Blank)	Standard - Left facing pumphead							
R	Right facing pumphead							
D	Down facing pumphead							
A4	S	V	2	4	-	M	NH	Sample Model Number

Accessories



1/2" Hose Barb "B" Fitting
1/2" MNPT "M" Fitting

Quick Disconnects *KIT-QBV FKM O-rings *KIT-QBE EP *KIT-QBA Aflas
*KIT-QMV FKM *KIT-QME EP *KIT-QMA Aflas



KIT-PSM
Wall Mount Bracket, HDPE



KIT-M12
Two M12 Cables - 9.8 ft.

90010-663 115V/60Hz NEMA 5/15
90010-664 220V/50Hz CEE 7/V11
90010-665 230V/50Hz BS 1363/A
90010-666 240V/50Hz AS 3112
90010-696 230V/60Hz NEMA 6/15
90010-821 115V Lockable

POWER CABLES - 6 ft

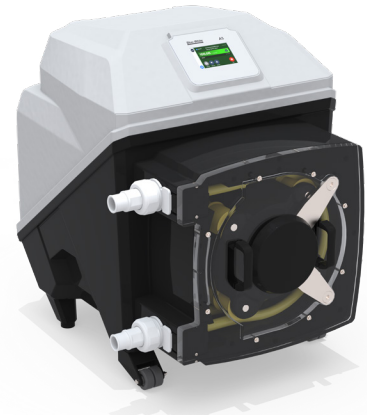


KIT-DP3
Profibus Cable, 3 ft

Visit Accessory Pages for More Options

A5

FLEXFLO® Peristaltic Metering Pump



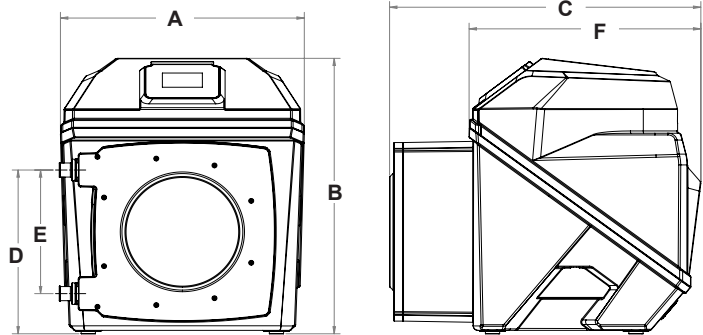
- > Self priming chemical metering pump delivers smooth chemical feed
- > Patented Tube Failure Detection senses tube rupture
- > Signal inputs include: 4-20mA, Pulse Inputs, Frequency Inputs
- > Signal outputs include: 4-20mA, Frequency Output, one 250V/6 AMP relay output, three 125V/1A
- > Communications Protocols: Ethernet IP, Profibus, Modbus TCP

Highlights

Flow range .03 - 534 GPH .1 - 2041 LPH	Pressures up to 65 PSI (4.4 bar)	Turndown ratio 2,500 : 1	Suction lift 30 ft. Water, 0 psig (9.14 m, 0 bar)
Exclusive Tube Failure Detection (TFD)	Motor Brushless DC	Weight 178 lb. (80.7 Kg)	Warranty 2 Years

Dimensions

Dim	Inch	cm	Dim	Inch	cm
A	25.7"	65.2	D	17.9"	45.4
B	30.1"	76.4	E	13.5"	34.3
C	32.8"	83.3	F	24.4"	62.0



What's in the box

- A5 Peristaltic Metering Pump
- One tube assemblies (installed)
- One Tube Replacement Kit
- Floor Mount Kit
- QR Code link to Operating Manual
- M12 Cables not included.



Model Number Matrix

Model Number

A5	FLEXFLO® Peristaltic metering pump							
Power Cord (operating voltage user selectable 115V/240 VAC 50/60Hz)								
4	115V / 60Hz, power cord NEMA 5/15 plug (US)							
6	220V / 50HZ, power cord CEE 7/VII plug (EU)							
X	No Power Cord							
Inlet/Outlet Connection Size, Connection Type, Connection Material								
M	1.5" Male NPT Fitting, Polypropylene, Aflas O-rings							
B	1.5" Hose Barb, Polypropylene, Aflas O-rings							
Pump Tube Material, Pump Tube Size, Output Range, Pressure								
NPP	Flex-A-Prene® .750 ID 0.2136– 534 GPH 0.8084 - 2021 LPH 13.476 - 33690 mL/min 30 PSI							
NLL	Flex-A-Prene® .500 ID 0.1072 – 286 GPH 0.4332 - 1083 LPH 7.222 - 18056 mL/min 50 PSI							
NHHL	Flex-A-Prene® .250 ID 0.0302 – 75.6 GPH 0.1144 - 286 LPH 1.907 - 4769 mL/min 65 PSI							
GKK	Flex-A-Thane® .375 ID 0.0617 – 154.2 GPH 0.2334 - 583.6 LPH 3.891 - 9728 mL/min 50 PSI							
Pumphead Orientation								
(Blank)	Standard (Left facing pumphead)							
R	Right facing pumphead							
O-rings / Elastomers								
(Blank)	Standard (Aflas)							
E	EPDM							
A5	S	2	4	-	M	NPP	E	Sample Model Number

Accessories

90010-663 115V/60Hz NEMA 5/15
 90010-664 220V/50Hz CEE 7/V/11
 90010-665 230V/50Hz BS 1363/A
 90010-666 240V/50Hz AS 3112
 90010-696 230V/60Hz NEMA 6/15
 90010-711 115V Lockable

POWER CABLES - 6 ft



CABLE-UAC
 USB A-C CABLE



KIT-M12
 TWO M12 CABLES



KIT-DP3
 ONE 3ft PROFIBUS CABLE

***KIT-M12-3** Three M12 Cables and **KIT-M12-6** Six M12 Cables also available.

Visit [Accessory Pages](#) for More Options

A-100N

FLEXFLO® Peristaltic Metering Pump



Analog Units

- > Manual output control with easy dial knob style
- > Variable speed motor control

Digital Units

- > Manual or automatic control
- > Accepts 4-20mA, 0-10VDC, and pulse input signals
- > Variable speed motor control

Highlights

Flow range	Pressures up to	Turndown ratio	Suction lift
.1 - 5.2 GPH .4 - 20 LPH	100 PSI (6.9 bar)	20 : 1	30 ft. Water, 0 psig (9.14 m, 0 bar)
Exclusive	Motor	Weight	Warranty
Tube Failure Detection (TFD)	Brushed DC	8 lb. (3.63 Kg)	1 Year

Dimensions

Dim	Inch	cm
A	9.375"	23.81
B	9.50"	24.10
C	9.125"	23.18
D	6.00"	15.24

***Analog Units**
A-100NF

***Digital Units**
A-100NV

What's in the box


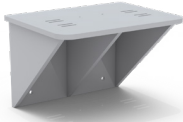
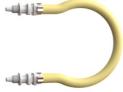



- | | |
|--|-----------------------|
| A100N Peristaltic Metering Pump | Mounting hardware kit |
| Two tube assemblies (one installed, one spare) | Display shield |
| Suction tube – clear PVC
5' length (3/8" OD, 1/4" ID) | Tube nuts (x2) |
| Suction strainer (C-342-6) | Instruction manual |
| Suction ceramic weight | |
| Discharge tube – opaque polyethylene
5' length (3/8" OD, 1/4" ID) | |
| Discharge injection fitting with 1/2 psi check (A-014N-6A) | |

Model Number Matrix

FLEXFLO® Model Number

A1N	FLEXFLO® Peristaltic Metering Pump	
Maximum Motor RPM		
0	14 RPM	
1	30 RPM	
2	45 RPM	
3	60 RPM	
Power Cord		
0	115V / 60HZ, power cord NEMA 5/15 plug (US)	
1	220V / 50HZ, power cord CEE7/VII plug (EU)	
Input/Output Control		
F	Analog Manual Speed Control (Dial Knob)	
V	Digital Speed Control with external input (4-20ma, 0-10VDC, and Frequency/Pulse)	
Pump Tube Material, Pump Tube Size, Flow Rate		
1	1/4" OD Flex-A-Thane®, 65 PSI (14 RPM = 5.7 GPD, 30 RPM = 13.3 GPD, 45 RPM = 20.5 GPD, 60 RPM = 25.5 GPD)	
2	3/8" OD Flex-A-Thane®, 65 PSI (14 RPM = 12.2 GPD, 30 RPM = 28.5 GPD, 45 RPM = 43.6 GPD, 60 RPM = 53.3 GPD)	
3	7/16" OD Flex-A-Thane®, 50 PSI (14 RPM = 27.8 GPD, 30 RPM = 65.8 GPD, 45 RPM = 99.2 GPD, 60 RPM = 124 GPD)	
4	1/4" OD Flex-A-Prene®, 100 PSI (14 RPM = 2.3 GPD, 30 RPM = 4.9 GPD, 45 RPM = 8.0 GPD, 60 RPM = 9.5 GPD)	
6	3/8" OD Flex-A-Prene®, 100 PSI (14 RPM = 6.9 GPD, 30 RPM = 16.0 GPD, 45 RPM = 24.0 GPD, 60 RPM = 30.1 GPD)	
7	7/16" OD Flex-A-Prene®, 50 PSI (14 RPM = 21.7 GPD, 30 RPM = 52.5 GPD, 45 RPM = 76.1 GPD, 60 RPM = 95.1 GPD)	
8	7/16" OD Flex-A-Chem®, 50 PSI (14 RPM = 15.2 GPD, 30 RPM = 31.9 GPD, 45 RPM = 53.3 GPD, 60 RPM = 68.4 GPD)	
NSF Certification		
(Blank)	None	
X	NSF 61 certified (only with -4T, -6T, -7T, and -8T tubes) (ships without accessories)	
A1N	0	0
F	-	1
T	-	X
Sample Model Number		

Accessories

 <p>KIT-S07 KIT-S15 KIT-S30</p> <p>* Includes cover and foot valve</p> <p>KIT-S07 (7 Gallon), KIT-S15 (15 Gallon), KIT-S30 (30 Gallon) STAR III TANKS, PP</p>	 <p>KIT-PSM WALL MOUNT BRACKET, HDPE</p>	 <p>A1-(see spare parts page) Spare Tube Element</p>
 <p>T140-6V T.I. INJECTOR, 3/8" OD</p>	 <p>C-340A FOOT VALVE</p>	 <p>A-014NK-6A PVDF INJECTOR</p>

Visit [Accessory Pages](#) for more Options

A-100N (Polymer)

FLEXFLO® Peristaltic Metering Pump



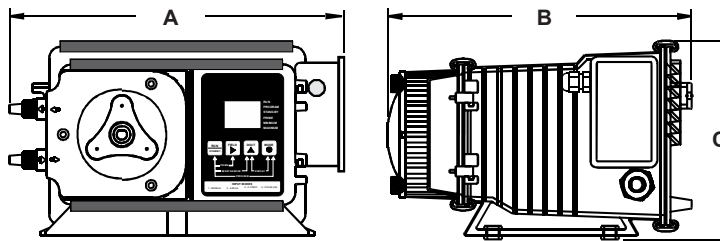
- > Enhanced Tube Failure Detection (TFD+) detects oil and water based polymers
- > Gentle pumping action for long chain polymers
- > Ideal for low and high viscosity fluids
- > Manual and Digital 4-20ma speed control models.

Highlights

Flow range	Pressures up to	Turndown ratio	Suction lift
.1 - 5.2 GPH .4 - 20 LPH	65 PSI (4.5 bar)	20 : 1	30 ft. Water, 0 psig (9.14 m, 0 bar)
Exclusive	Motor	Weight	Warranty
Tube Failure Detection (TFD+)	Brushed DC	8 lb. (3.63 Kg)	1 Year

Dimensions

Dim	Inch	cm
A	9.50"	24.10
B	9.125"	23.18
C	6.00"	15.24



***Polymer Units**
A-100NVP, A-100NFP only

What's in the box


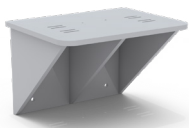




- | | |
|--|--------------------------|
| A100N Peristaltic Metering Pump | Mounting hardware kit |
| Two tube assemblies (one installed, one spare) | Display shield |
| Suction tube – clear PVC
5' length (3/8" OD, 1/4" ID) | Tube nuts (x2) |
| Suction strainer (C-342-6) | Silicon Oil, 5 ml bottle |
| Suction ceramic weight | Instruction manual |
| Discharge tube – opaque polyethylene
5' length (3/8" OD, 1/4" ID) | |
| Discharge injection fitting with 1/2 psi check (A-014N-6A) | |

Model Number Matrix

FLEXFLO® Model Number

A1N	FLEXFLO® Peristaltic Metering Pump								
Maximum Motor RPM									
0	14 RPM								
1	30 RPM								
2	45 RPM								
3	60 RPM								
Power Cord									
0	115V / 60HZ, power cord NEMA 5/15 plug (US)								
1	220V / 50HZ, power cord CEE7/VII plug (EU)								
Input/Output Control									
F	Analog Manual Speed Control (Dial Knob)								
V	Digital Speed Control with external input (4-20ma, 0-10VDC, and Frequency/Pulse)								
Pump Tube Material, Pump Tube Size									
1	1/4" OD Flex-A-Thane®, 65 PSI								
2	3/8" OD Flex-A-Thane®, 65 PSI								
3	7/16" OD Flex-A-Thane®, 50 PSI								
Polymer Pump Model									
P	Polymer Pump equipped with TFD+								
A1N	0	0	F	-	1	T	-	P	Sample Model Number

Accessories

 <p>KIT-S07 KIT-S15 KIT-S30</p> <p><small>* Includes cover and foot valve</small></p> <p>KIT-S07 (7 Gallon), KIT-S15 (15 Gallon), KIT-S30 (30 Gallon) STAR III TANKS, PP</p>	 <p>KIT-PSM WALL MOUNT BRACKET, HDPE</p>	 <p>A1-1T, A1-2T, A1-3T Spare Tube Element</p>
 <p>T140-6V T.I. INJECTOR, 3/8" OD</p>	 <p>C-340A FOOT VALVE</p>	 <p>A-014NK-6A PVDF INJECTOR</p>

Visit [Accessory Pages](#) for more Options

PERISTALTIC PUMP WARRANTY

LIMITED WARRANTY

Your Blue-White product is a quality product and is warranted for a specific time from date of purchase (proof of purchase is required). The product will be repaired or replaced at our discretion. Failure must have occurred due to defect in material or workmanship and not as a result of operation of the product other than in normal operation as defined in the product manual. Warranty status is determined by the product's serial label and the sales invoice or receipt. The serial label must be on the product and legible. The warranty status of the product will be verified by Blue-White or a factory authorized service center. Pump Head and roller assembly is warranted against damage from chemical attack when proper TFD (Tube Failure Detection) system instructions and maintenance procedures are followed.

FLEXFLO® A1, A2, A3, A4, and A5 pumps are warranted for 2 years from date of purchase (proof of purchase is required). FLEXFLO® A-100N Pumps are warranted for 1 year from date of purchase (proof of purchase is required). Pumps will be repaired or replaced at our discretion. Pump Head and roller assembly is warranted for 2 years against damage from chemical attack when proper TFD (Tube Failure Detection) system instructions and maintenance procedures are followed.

WHAT IS NOT COVERED

- FLEXFLO® Pump Tube Assemblies and rubber components
They are perishable and require periodic replacement.
- Pump removal, or re-installation, and any related labor charge.
- Freight to the factory, or service center.
- Products that have been tampered with, or in pieces.
- Damage resulting from misuse, carelessness such as chemical spills on the enclosure, abuse, lack of maintenance, or alteration which is out of our control.
- Damage by faulty wiring, power surges or acts of nature.

BLUE-WHITE does not assume responsibility for any loss, damage, or expense directly or indirectly related to or arising out of the use of its products. Failure must have occurred due to defect in material or workmanship and not as a result of operation of the product other than in normal operation as defined in the pump manual.

Warranty status is determined by the pump's serial label and the sales invoice or receipt. The serial label must be on the pump and legible. The warranty status of the pump will be verified by Blue-White or a factory authorized service center.

PROCEDURE FOR IN WARRANTY REPAIR

Warranty service must be performed by the factory or an authorized service center. Contact the factory or local repair center to obtain a RMA (Return Material Authorization) number. It is recommended to include foot strainer and injection/check valve fitting since these devices may be clogged and part of the problem. Decontaminate, dry, and carefully pack the product to be repaired. Please enclose a brief description of the problem and proof of purchase. Prepay all shipping and insurance cost. COD shipments will not be accepted. Damage caused by improper packaging is the responsibility of the sender. When In-Warranty repair is completed, the factory pays for return shipping to the dealer or customer.

PRODUCT USE WARNING

Blue-White products are manufactured to meet the highest quality standards in the industry. Each product instruction manual includes a description of the associated product warranty and provides the user with important safety information. Purchasers, installers, and operators of Blue-White products should take the time to inform themselves about the safe operation of these products. In addition, Customers are expected to do their own due diligence regarding which products and materials are best suited for their intended applications. BLUE-WHITE is pleased to assist in this effort but does not guarantee the suitability of any particular product for any specific application as Blue-White does not have the same degree of familiarity with the application that the customer/end user has. While BLUE-WHITE will honor all of its product warranties according to their terms and conditions, Blue-White shall only be obligated to repair or replace its defective parts or products in accordance with the associated product warranties.

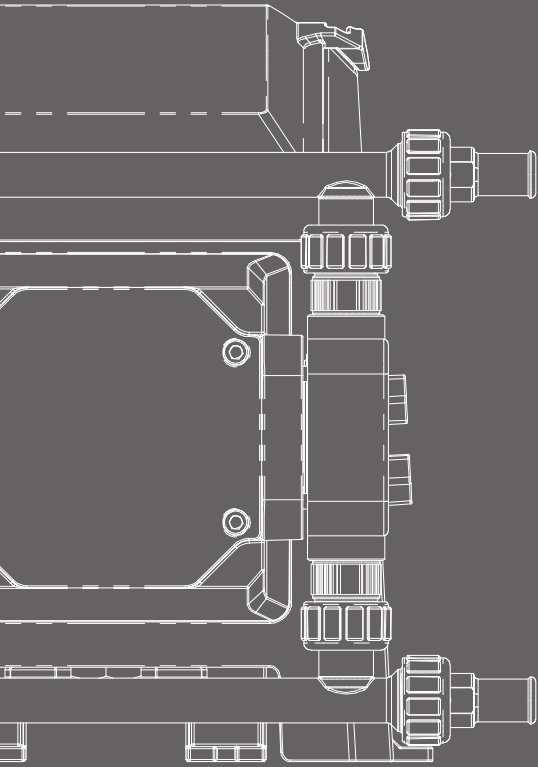
BLUE-WHITE SHALL NOT BE LIABLE EITHER IN TORT OR IN CONTRACT FOR ANY LOSS OR DAMAGE WHETHER DIRECT, INDIRECT, INCIDENTAL, OR CONSEQUENTIAL, ARISING OUT OF OR RELATED TO THE FAILURE OF ANY OF ITS PARTS OR PRODUCTS OR OF THEIR NONSUITABILITY FOR A GIVEN PURPOSE OR APPLICATION.

CHEMICAL RESISTANCE WARNING

BLUE-WHITE offers a wide variety of wetted parts. Purchasers, installers, and operators of Blue-White products must be well informed and aware of the precautions to be taken when injecting or measuring various chemicals, especially those considered to be irritants, contaminants or hazardous. Customers are expected to do their own due diligence regarding which products and materials are best suited for their applications, particularly as it may relate to the potential effects of certain chemicals on Blue-White products and the potential for adverse chemical interactions. Blue-White tests its products with water only. The chemical resistance information included in this instruction manual was supplied to BLUE-WHITE by reputable sources, but Blue-White is not able to vouch for the accuracy or completeness thereof. While BLUE-WHITE will honor all of its product warranties according to their terms and conditions, Blue-White shall only be obligated to repair or replace its defective parts or products in accordance with the associated product warranties.

BLUE-WHITE SHALL NOT BE LIABLE EITHER IN TORT OR IN CONTRACT FOR ANY LOSS OR DAMAGE, WHETHER DIRECT, INDIRECT, INCIDENTAL, OR CONSEQUENTIAL, ARISING OUT OF OR RELATED TO THE USE OF CHEMICALS IN CONNECTION WITH ANY BLUE-WHITE PRODUCTS.

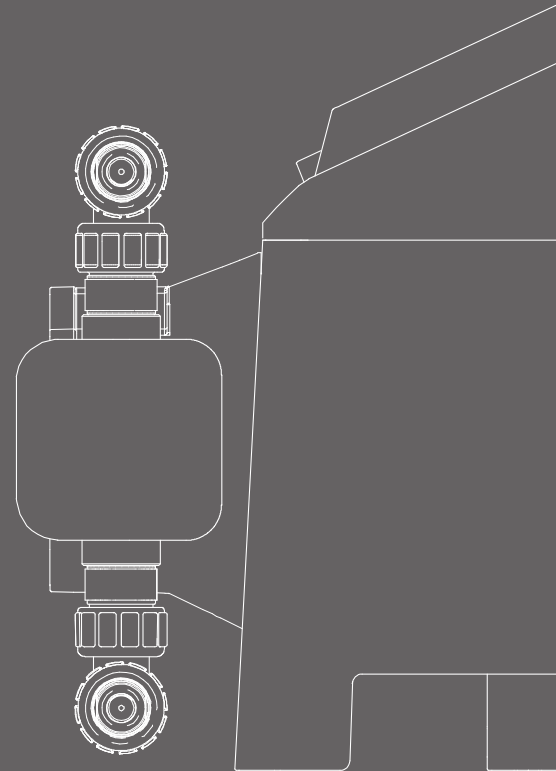
Users of electrical and electronic equipment (EEE) with the WEEE marking per Annex IV of the WEEE Directive must not dispose of end of life EEE as unsorted municipal waste, but use the collection framework available to them for the return, recycle, recovery of WEEE and minimize any potential effects of EEE on the environment and human health due to the presence of hazardous substances. The WEEE marking applies only to countries within the European Union (EU) and Norway. Appliances are labeled in accordance with European Directive 2002/96/EC. Contact your local waste recovery agency for a Designated Collection Facility in your area.



INDUSTRIAL

Diaphragm
Metering Pumps

Blue-White[®]



CD1

CHEM-FEED® Multi-Diaphragm Metering Pump



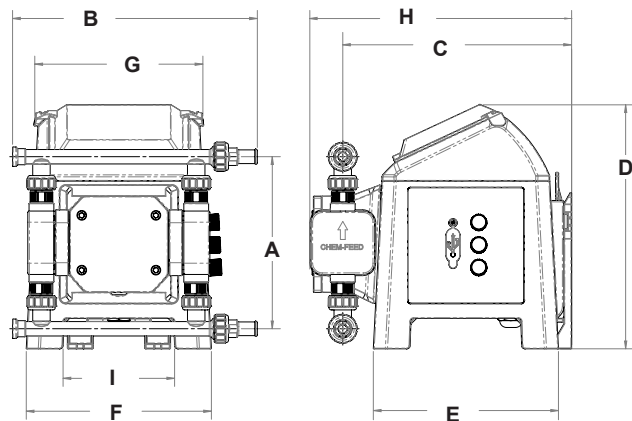
- > Smooth chemical dosing, no pulsation dampener needed
- > Diaphragm Failure Detection system senses diaphragm failure
- > Remote Start/Stop
- > Relay outputs include a single 250V/3A and a single solid state
- > SCADA I/O include: 4-20 mA input, 4-20 mA output
- > 1/4" x 3/8" inlet/outlet connections standard (1/2" MNPT and 1/2" Hose Barb fittings available)

Highlights

Flow range	Pressures up to	Turndown ratio	Suction lift
.004 - 8.50 GPH .016 - 32.2 LPH	150 PSI (10.3 bar)	2,000 : 1	20 ft. at 0 PSI
Exclusive	Motor	Weight	Warranty
Diaphragm Failure Detection (DFD)	Brushless DC	8.5 lb. (3.8 Kg)	2 Years

Dimensions

Dim	Inch	Cm	Dim	Inch	Cm
A	6.67"	16.94	F	7.18"	18.23
B	9.49"	24.10	G	6.52"	16.55
C	8.87"	22.54	H	10.40"	26.41
D	9.46"	24.02	I	4.32"	10.98
E	7.18"	18.23			



What's in the box

- CD1 Multi-Diaphragm Metering Pump
- Discharge injection fitting with check valve, PVDF/Aflas (C-395NK-6A)
- Suction tube – clear PVC – 5' length (3/8" OD, 1/4" ID)
- Suction foot valve / strainer, PVDF (71010-261)
- Suction ceramic weight
- Discharge tube – opaque polyethylene – 5' length (3/8" OD, 1/4" ID)
- Mounting hardware kit
- Display shield
- Instruction manual
- (M12 cables not included)



Model Number Matrix

CHEM-FEED® Model Number

CD1	CHEM-FEED® Diaphragm Metering Pump				
Control					
F	Standard Control Methods (Manual, Remote, FVS)				
V	4-20mA Input, 4-20mA Output, in addition to Standard Control Methods (Manual, Remote, FVS)				
Diaphragm and O-Rings Material					
V	DiaFlex® Diaphragms and TFE/P O-Rings (For all chemicals excluding caustic soda and aqueous ammonia)				
E	Flex-A-Prene® Diaphragms and EP O-Rings (For caustic soda and aqueous ammonia)				
Pump Fittings (Inlet / Outlet)					
B	1/2" ID Barb Straight Fittings				
C	1/2" ID Barb Elbow Fittings				
S	1/4" x 3/8" Compression Straight Fittings				
T	1/4" x 3/8" Compression Elbow Fittings				
M	1/2" M/NPT Straight Fittings				
X	1/2" M/NPT Elbow Fittings				
Power Cord - Removable (Operating voltage requirement 96VAC to 264VAC)					
4	115V 50/60Hz, power cord NEMA 5/15 plug (US)				
6	220V 50/60Hz, power cord CEE 7/11 plug (EU)				
X	No Power Cord Provided (Power cord is required - See accessories for power cord options)				
CD1	F	V	B	4	Sample Model Number

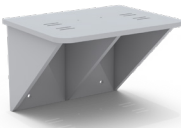
Accessories



KIT-S07
KIT-S15
KIT-S30

* Includes cover and foot valve

KIT-S07 (7 Gallon), KIT-S15 (15 Gallon), KIT-S30 (30 Gallon)
STAR III TANKS, PP



KIT-PSM
WALL MOUNT BRACKET, HDPE



CABLE-UAC
USB A-C CABLE - 3 ft

POWER CABLES - 6 ft
90010-663 115V/60Hz NEMA 5/15
90010-664 220V/50Hz CEE 7/11
90010-665 230V/50Hz BS 1363/A
90010-666 240V/50Hz AS 3112
90010-696 230V/60Hz NEMA 6/15
90010-821 115V Lockable

POWER CABLES



KIT-M12
TWO M12 CABLES - 9.8 ft



KIT-CQA (Aflas) / KIT-CQE (EP)
QUICK CONNECT KIT MD1

Teflon Ball Check Cartridge Valve Kit (PVDF body, TFE/P O-rings, PTFE balls)
4 cartridges included.
(3 Double-Ball, 1 De-Gas)

KIT-DVA1-P PTFE Ball Check

Visit Accessory Pages for More Options

CD3

CHEM-FEED® Multi-Diaphragm Metering Pump

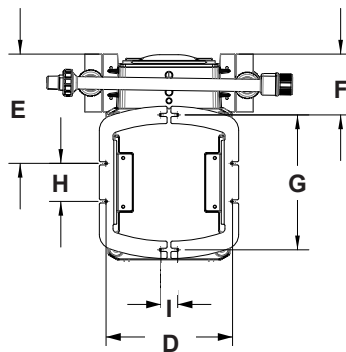
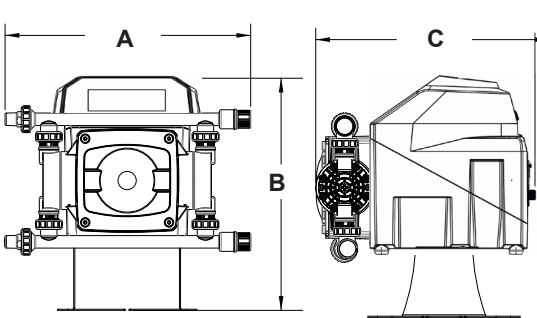


- > Diaphragm Failure Detection system senses diaphragm failure
- > Exclusive Patented DiaFlex® PVDF single-layer diaphragm
- > Smooth chemical dosing, no pulsation dampener needed
- > Multi-diaphragm technology eliminates vapor locking
- > Signal inputs include: 4-20mA, pulse inputs, and remote start/stop

Highlights

Flow range .05 - 52.6 GPH .2 - 199 LPH	Pressures up to 145 PSI (10 bar)	Turndown ratio 1,000 : 1	Suction lift 23 ft. Water, 0 psig (7 m, 0 bar)
Exclusive Diaphragm Failure Detection (DFD)	Motor Brushless DC Motor	Weight 48 lb. (21.77 Kg)	Warranty 2 Years

Dimensions



Dim	Inch	cm	Dim	Inch	cm
A	16.13"	40.97	F	4.00"	10.15
B	16.29"	41.37	G	8.86"	22.50
C	14.12"	35.86	H	2.50"	6.35
D	8.30"	21.08	I	1.10"	2.79
E	7.24"	18.37			

What's in the box

- CD3 Multi-Diaphragm Metering Pump
- Suction foot valve, PVDF, 1/2" MNPT or 1/2" Hose Barb
- Injector, PVDF, 1/2" MNPT or 1/2" Hose Barb
- Mounting hardware kit, including extended mounting brackets
- Fitting Kit (model specific)
 - 1/2" M/NPT Elbow connections, or
 - 1/2" M/NPT Straight connections, or
 - 1/2" Hose barb Straight connections, or
 - 1/2" Hose Barb Elbow connections
 - Union nuts
- QR Code link to Operating Manual
- Not included: Suction Tubing, Discharge Tubing, M12 Cables.**

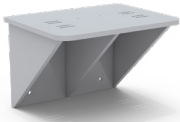






Model Number Matrix

CHEM-FEED® Model Number

CD3S	CHEM-FEED® Multi-Diaphragm Metering Pump							
Maximum Strokes per Minute								
2	380 SPM (190 RPM)							
Input Voltage / Power Cord								
4	115V / 60Hz, power cord NEMA 5/15 plug (US)							
5	230V / 60Hz, power cord NEMA 6/15 plug (US)							
6	220V / 50HZ, power cord CEE 7/VII plug (EU)							
8	240V / 50HZ, power cord AS 3112 plug (Australia/New Zealand)							
9	230V / 50HZ, power cord BS 1363/A plug (United Kingdom)							
X	No Power Cord (Pump requires power cord. See accessories for other power cord options)							
Stroke Length / Diaphragm Size								
4	.090" Stroke - Large Diaphragm							
Electrical								
X	Standard Equipment - C13 power cord connector, six M12 signal connectors, Ethernet/Modbus port & Profibus M12 connector.							
Elastomer Material (O-Rings)								
V	DiaFlex Diaphragms and TFE/P O-rings (For most chemicals, not compatible with Sodium Hydroxide and Aqueous Ammonia)							
E	Flex-A-Prene Diaphragms and EPDM O-rings (for Sodium Hydroxide and Aqueous Ammonia)							
Pump Head Fittings and Foot Valve								
X	1/2" M/NPT Elbow Fittings & 1/2" M/NPT Footvalve							
M	1/2" M/NPT Straight Fittings & 1/2" M/NPT Footvalve							
B	1/2" Barb Straight Fittings & 1/2" Barb Footvalve							
C	1/2" Barb Elbow Fittings & 1/2" Barb Footvalve							
Check Balls								
(Blank)	Standard							
H	PTFE balls (double ball check valves) low viscosity/density fluids only							
CD3S	2	4	4	X	V	X	-	Sample Model Number

Accessories

 <p>KIT-PSM Wall Mount Bracket, HDPE</p>	 <p>71000-579 PVDF INJECTOR, 1/2" Hose Barb 71000-577 PVDF INJECTOR, 1/2" MNPT</p>	 <p>76001-361 Suction Tubing, Clear PVC, 1/2" ID, 8ft 90008-437 Discharge Tubing, Braided PVC, 1/2" ID</p>	<p>Ball Check Cartridge Options</p> <p>20000-228 (2 req.) Ball Check Cart. Hastelloy Balls 70001-409 (4 req.) Ball Check Cart., Single Ceramic Ball with Hastelloy Spring</p>
 <p>KIT-M12 Two M12 Cables - 9.8 ft.</p>	 <p>KIT-DP3 Profibus Cable, 3 ft</p>	<p>90010-663 115V/60Hz NEMA 5/15 90010-664 220V/50Hz CEE 7/V11 90010-665 230V/50Hz BS 1363/A 90010-666 240V/50Hz AS 3112 90010-696 230V/60Hz NEMA 6/15 90010-711 115V Lockable</p> <p>POWER CABLES - 6 ft</p>	<p>Visit Accessory Pages for More Options</p>

C2

CHEM-FEED® Diaphragm Metering Pump



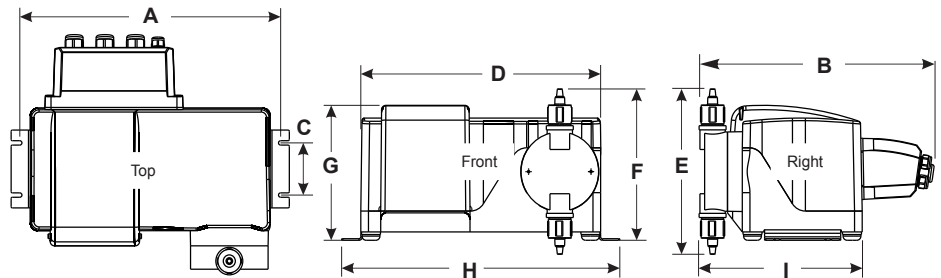
- > Built-in leak detection (DFD) senses diaphragm failure
- > Exclusive Patented DiaFlex® diaphragm
- > Signal inputs include: 4-20mA, pulse inputs, and Remote start/stop
- > Signal outputs include: Relay (3 amp)

Highlights

Flow range	Pressures up to	Turndown ratio	Suction lift
.02 - 16.5 GPH .09 - 62.5 LPH	175 PSI (12 bar)	100 : 1	15 ft. Water, 0 psig (4.5 m, 0 bar)
Exclusive	Motor	Weight	Warranty
Diaphragm Failure Detection (DFD)	Brushed DC	31 lb. (14.06 Kg)	2 Years

Dimensions

Dim	Inch	cm	Dim	Inch	cm
A	14.1"	35.8	F	7.3"	18.5
B	11.5"	29.2	G	6.5"	16.4
C	2.5"	6.4	H	15"	38.1
D	13.1"	33.3	I	8"	20.3
E	7.9"	20.1			



NOTE: Optional Extended Bracket adds 4.5" (11.43cm) to overall height (dimension F and G).

What's in the box

- C2 Diaphragm Metering Pump
- Discharge injection fitting with check valve
- Option "A,B,C"** – ½" ID x ¾" OD tubing pump head
 - ½" hose barb injector • ½" hose barb foot valve
 - Tubing and hose clamp
- Option "D"** – ¼" ID x ¾" OD Tubing pump head
 - Suction foot valve and ceramic weight
 - Injector, suction tubing - 10 ft.
 - discharge tubing - 10ft.

- Option "E"** – ½" M/NPT inlet and outlet, with ½" M/NPT injection fitting
 - ½" M/NPT injector • ½" M/NPT foot valve
- Option "F"** – ½" F/NPT inlet and outlet, with ½" M/NPT injection fitting
 - ½" M/NPT injector • ½" M/NPT foot valve
- Mounting hardware kit
- Junction box connectors
- QR Code link to Operating manual

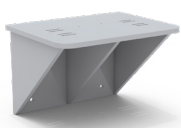


Model Number Matrix


Model Number

C2	Diaphragm metering pump							
Series								
F	Single manual output control (manual/local control only)							
V	Multiple automatic input output control and alarm modes (remote control)							
Input Voltage								
4	115V / 60Hz, power cord NEMA 5/15 plug (US)			8	240V / 50HZ, power cord AS 3112 plug (AU/New Zealand)			
5	230V / 60Hz, power cord NEMA 6/15 plug (US)			9	230V / 50HZ, power cord BS 1363 plug (UK)			
6	220V / 50Hz, power cord CEE 7/VII plug (EU)							
CAM Stroke Length and Diaphragm Size								
1	.060" (1.52 mm) stroke with small diaphragm .10–10 GPH 175 PSI							
2	.060" (1.52 mm) stroke with large diaphragm .165–16.5 GPH 175 PSI							
3	.040" (1.02 mm) stroke with small diaphragm .067–6.7 GPH 175 PSI							
5	.040" (1.02 mm) stroke with Micro-Feed .02–2.3 GPH 150 PSI							
6	.060" (1.52 mm) stroke with Micro-Feed .04–4.0 GPH 150 PSI							
Electrical Options								
X	Standard equipment							
Elastomer Material (o-rings)								
V	TFE/P			E	EP (Ethylene Propylene)			
Fitting Connection Types								
A	1/2" Hose Barb Inlet, 1/2" Male NPT Outlet, with 1/2" Male NPT Injection Fitting							
B	1/2" Hose Barb Inlet, 1/2" Female NPT Outlet, with 1/2" Male NPT Injection Fitting							
C	1/2" Hose Barb Inlet and Outlet, with 1/2" ID Hose Barb Injection Fitting							
D	3/8" OD Tube Compression Inlet, Outlet, and Injection Fitting							
E	1/2" Male NPT Inlet and Outlet, with 1/2" Male NPT Injection Fitting							
F	1/2" Female NPT Inlet and Outlet, with 1/2" Male NPT Injection Fitting							
Diaphragm Type								
(Blank)	Standard DiaFlex® Diaphragm							
S	Flex-A-Prene® Diaphragm (Caustic Soda resistant diaphragm)							
C2	F	2	4	1	X	V	A	Sample Model Number


Accessories



KIT-PSM
Wall Mount Bracket, HDPE



71000-555
PVDF INJECTOR, 1/4" ID tubing
71000-579
PVDF INJECTOR, 1/2" Hose Barb
71000-577
PVDF INJECTOR, 1/2" MNPT



C-334-6-10
Suction Tubing, Clear PVC 1/4"x 3/8", 10 ft
C-335-6-25
Discharge Tubing, PE, 1/4" x 3/8", 25 ft
76001-361
Suction Tubing, Clear PVC, 1/2" ID, 8ft
90008-437
Discharge Tubing, Braided PVC, 1/2" ID

Ball Check Cartridge Options

20000-228
Ball Check Cart. Hastelloy Balls
20000-229
Ball Check Cart. PTFE Balls
70001-409 (2 req.)
Ball Check Cart., Single Ceramic Ball with Hastelloy Spring

Visit Accessory Pages for More Options

C3

CHEM-FEED® Diaphragm Metering Pump



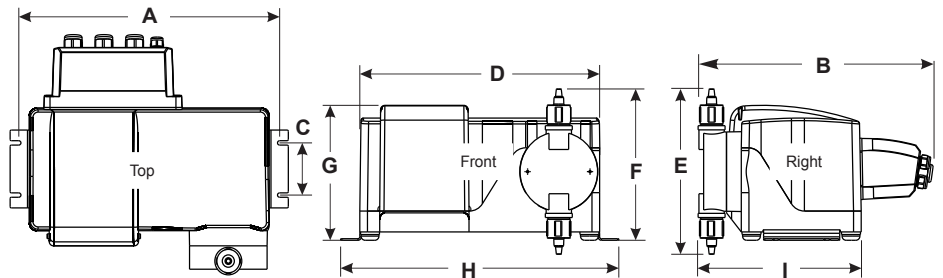
- > Built-in leak detection (DFD) senses diaphragm failure
- > Exclusive Patented DiaFlex® diaphragm
- > Signal inputs include: 4-20mA (“V” Model), pulse inputs (“V” Model), and Remote start/stop
- > Signal outputs include: Relay (3 amp) and 4-20mA (“V” Model)

Highlights

Flow range	Pressures up to	Turndown ratio	Suction lift
.262 - 40.6 GPH .99 - 154 LPH	150 PSI (10.3 bar)	100 : 1	15 ft. Water, 0 psig (4.5 m, 0 bar)
Exclusive	Motor	Weight	Warranty
Diaphragm Failure Detection (DFD)	Brushed DC	31 lb. (14.06 Kg)	2 Years

Dimensions

Dim	Inch	cm	Dim	Inch	cm
A	14.1"	35.8	F	7.8"	19.8
B	12"	30.5	G	6.5"	16.5
C	2.5"	6.4	H	15"	38.1
D	13.1"	33.3	I	8"	20.3
E	9"	22.9			



NOTE: Optional Extended Bracket adds 4.5" (11.43cm) to overall height (dimension F and G).

What's in the box

- C2 Diaphragm Metering Pump
- Discharge injection fitting with check valve
- Option "A","B"** – ½" ID x ¾" OD tubing pump head
 - ½" M/NPT injector • ½" hose barb foot valve
 - Tubing and hose clamp
- Option "C"** – ½" ID x ¾" OD tubing pump head
 - ½" hose barb injector • ½" hose barb foot valve
 - Tubing and hose clamp

- Option "E"** – ½" M/NPT inlet and outlet, with ½" M/NPT injection fitting
 - ½" M/NPT injector • ½" M/NPT foot valve
- Option "F"** – ½" F/NPT inlet and outlet, with ½" M/NPT injection fitting
 - ½" M/NPT injector • ½" M/NPT foot valve
- Mounting hardware kit
- Junction box connectors
- QR Code link to Operating Manual

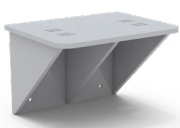


Model Number Matrix


Model Number

C3	Diaphragm metering pump									
Series										
F	Single manual output control (manual/local control only)									
V	Multiple automatic input/output control and alarm modes (remote control)									
Input Voltage										
4	115V / 60Hz, power cord NEMA 5/15 plug (US)					8	240V / 50HZ, power cord AS 3112 plug (AU/New Zealand)			
5	230V / 60Hz, power cord NEMA 6/15 plug (US)					9	230V / 50HZ, power cord BS 1363 plug (UK)			
6	220V / 50HZ, power cord CEE 7/VII plug (EU)									
CAM Stroke Length and Diaphragm Size										
1	.060" (1.52 mm) stroke with large diaphragm .262–26.2 GPH 150 PSI									
2	.100" (2.54 mm) stroke with large diaphragm .406–40.6 GPH 100 PSI									
Electrical Options										
X	Standard equipment with "F" Series only									
A	Standard equipment with "V" Series only - includes 4-20ma output									
Elastomer Material (o-rings)										
V	TFE/P					E	EP (Ethylene Propylene)			
Fitting Connection Types										
A	1/2" Hose Barb Inlet, 1/2" Male NPT Outlet, with 1/2" Male NPT Injection Fitting									
B	1/2" Hose Barb Inlet, 1/2" Female NPT Outlet, with 1/2" Male NPT Injection Fitting									
C	1/2" Hose Barb Inlet and Outlet, with 1/2" ID Hose Barb Injection Fitting									
E	1/2" Male NPT Inlet and Outlet, with 1/2" Male NPT Injection Fitting									
F	1/2" Female NPT Inlet and Outlet, with 1/2" Male NPT Injection Fitting									
Diaphragm Type										
(Blank)	Standard DiaFlex® Diaphragm									
S	Flex-A-Prene® Diaphragm (Caustic Soda resistant diaphragms)									
C3	F	2	4	1	X	V	A	Sample Model Number		


Accessories



KIT-PSM
Wall Mount Bracket, HDPE



71000-555
PVDF INJECTOR, 1/4" ID tubing
71000-579
PVDF INJECTOR, 1/2" Hose Barb
71000-577
PVDF INJECTOR, 1/2" MNPT



C-334-6-10
Suction Tubing, Clear PVC 1/4"x 3/8", 10 ft
C-335-6-25
Discharge Tubing, PE, 1/4" x 3/8", 25 ft
76001-361
Suction Tubing, Clear PVC, 1/2" ID, 8ft
90008-437
Discharge Tubing, Braided PVC, 1/2" ID

Ball Check Cartridge Options

20000-228
Ball Check Cart. Hastelloy Balls
20000-229
Ball Check Cart. PTFE Balls
70001-409 (2 req.)
Ball Check Cart., Single Ceramic Ball with Hastelloy Spring

Visit Accessory Pages for More Options

C-600P

CHEM-FEED® Diaphragm Metering Pump



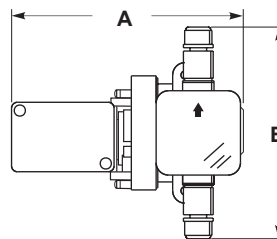
- > All ball bearing, permanently lubricated gear motor
- > Double-ball inlet and outlet cartridge type ceramic check valves
- > Stroke adjustment from 4-100%
- > Fixed speed
- > Mechanical Cam
- > Output Adjustment

Highlights

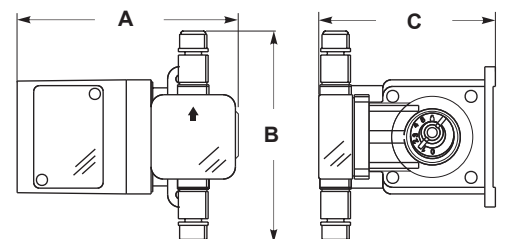
Outputs	Pressures up to	Turndown ratio	Max. fluid temp.
1 - 21.5 GPH 4 - 81.4 LPH	125 PSI (8.6 bar)	27 : 1	130 °F (54 °C)
Max. suction lift	Motor	Weight	Warranty
10 ft. Water 0 psig	AC Shaded Pole	8 lb. (3.63 Kg)	1 Year

Dimensions

Dim	DC Powered Models		AC Powered Models	
	Inch	cm	Inch	cm
A	7.22"	18.3	10.25"	26
B	6.25"	15.9	7.5"	19
C	5.31"	13.5	14"	35.6



DC Powered Models



AC Powered Models

What's in the box

- C-600P Diaphragm Metering Pump
- Discharge injection fitting with check valve (C-395N-6A)
- Suction tube – clear PVC – 5' length (3/8" OD, 1/4" ID)
- Suction foot valve / strainer (C-340A)
- Suction ceramic weight
- Discharge tube – opaque polyethylene – 5' length (3/8" OD, 1/4" ID)
- Instruction manual



Model Number Matrix

Model Number

C-6	CHEM-FEED® Diaphragm Model Number				
Maximum Motor RPM					
14	14 RPM	60	60 RPM		
30	30 RPM	125	125 RPM		
45	45 RPM (Not available in 12V DC)	250	250 RPM (Not available in 12V DC)		
Power Supply Voltage¹					
115VAC	115V60Hz	24VAC	24V60Hz		
220VAC	220V50Hz (20% less output)	12VDC	12V DC		
230VAC	230V60Hz	24VDC	24V DC		
240VAC	240V60Hz				
C-6	14	P	-	115VAC	Sample Model Number

1. All models come with junction box only for wiring, except 220V models which include power cord/plug only.

Optional Accessories and Components

- 70000-193 PTFE coated FKM diaphragm
- 90010-110 Power Cord with Plug, 115V
- K-568A-4 Bullet Valve (Double Ball), Aflas - 4 Pack
- K-568E-4 Bullet Valve (Double Ball), EP - 4 pack

Visit Accessory Pages for More Options

Output Specifications

DC powered models

Maximum Output at 0 PSI					
Strokes/Min RPM	Max PSI	GPD	GPH	LPH	OZ/MIN
14	125	33	1.4	5.3	2.9
30	125	74	3.1	11.7	6.5
45	80	112	4.7	17.8	10.0
60	60	148	6.2	23.5	13.2
125	30	316	13.2	49.9	28.1
250	10	516	21.5	81.4	45.8

AC powered models

Maximum Output at 0 PSI					
Strokes/Min RPM	Max PSI	GPD	GPH	LPH	OZ/MIN
14	125	24	1.0	3.8	2.7
30	125	58	2.4	9.3	5.2
45	80	91	3.8	14.9	8.1
60	60	110	4.6	17.4	9.8
125	30	237	9.9	37.0	21.1
250	10	389	16.2	61.4	34.6

C-600HV

CHEM-FEED® Diaphragm Metering Pump



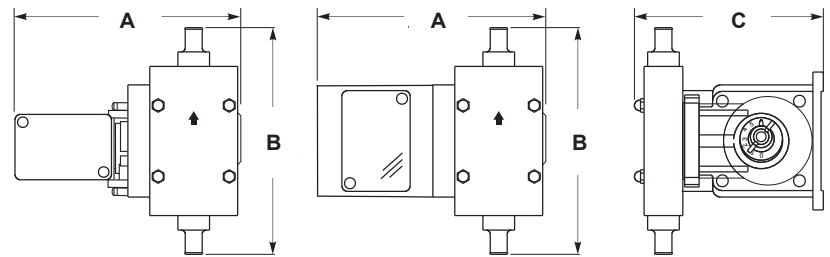
- > All ball bearing, permanently lubricated gear motor
- > High Volume Diaphragm Pump
- > Stroke adjustment from 4-100%
- > Fixed speed
- > Mechanical Cam
- > Output Adjustment

Highlights

Outputs	Pressures up to	Turndown ratio	Max. fluid temp.
1.74 - 47.1 GPH 6.6 - 178.3 LPH	20 PSI (1.4 bar)	27 : 1	130 °F (54 °C)
Max. suction lift	Motor	Weight	Warranty
10 ft. Water 0 psig	AC Shaded Pole	8 lb. (3.63 Kg)	1 Year

Dimensions

Dim	DC Powered Models		AC Powered Models	
	Inch	cm	Inch	cm
A	7.22"	18.3	6.75"	17.15
B	7"	17.78	7"	17.78
C	6.13"	15.5	6.13"	15.55



DC Powered Models

AC Powered Models

What's in the box

- C-600HV Diaphragm Metering Pump
- Discharge injection fitting with check valve (C-3391-10)
- Suction tube – clear PVC – 5' length (3/8" OD, 1/4" ID)
- Suction foot valve / strainer (C-3393-10)
- Suction ceramic weight
- Discharge tube – opaque polyethylene – 5' length (3/8" OD, 1/4" ID)
- Instruction manual



Model Number Matrix

Model Number

C-6	CHEM-FEED® High Volume (HV) Diaphragm Model Number				
Maximum Motor RPM					
60	60 RPM				
125	125 RPM				
250	250 RPM (Not available in 12V DC)				
Power Supply Voltage¹					
115VAC	115V60Hz			24VAC	24V60Hz
220VAC	220V50Hz (20% less output)			12VDC	12V DC
230VAC	230V60Hz			24VDC	24V DC
240VAC	240V60Hz				
C-6	60	HV	-	115VAC	Sample Model Number

1. All models come with junction box only for wiring, except 220V models which include power cord/plug only.

Optional Accessories and Components
 C-3106NV FKM Diaphragm
 F-5012V FKM O-ring (2 req.)
 C-926V FKM Check (2 req.)
 90010-110 Power Cord with Plug, 115V

Output Specifications

AC powered models

Maximum Output at 0 PSI					
Strokes/Min RPM	Max PSI	GPD	GPH	LPH	OZ/MIN
60	20	268	11.2	42.4	23.8
125	10	568	23.7	89.7	50.5
250	5	1,129	47.1	178.3	100.4

DC powered models

Maximum Output at 0 PSI					
Strokes/Min RPM	Max PSI	GPD	GPH	LPH	OZ/MIN
60	20	189	7.8	29.5	16.8
125	10	398	16.5	32.4	35.3
250	5	791	32.9	124.5	70.3

NOTE: For optimum diaphragm life, specify the pump to operate at the lowest possible RPM and pressure.

C-1500N

CHEM-FEED® Diaphragm Metering Pump



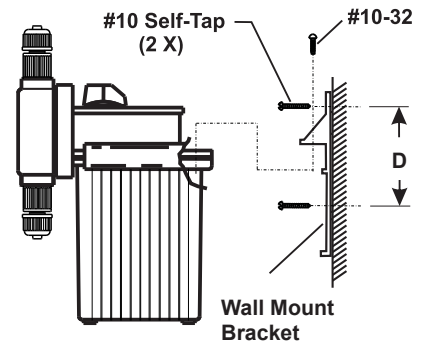
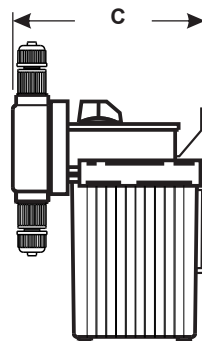
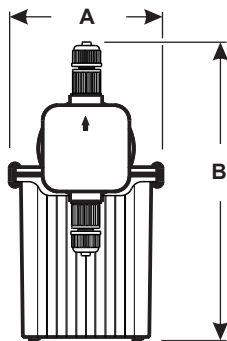
- > All ball bearing, permanently lubricated gear motor
- > Standard Models feature a mechanical stroke length control
- > Efficient design allows for a minimum stroke length of 5%

Highlights

Outputs	Pressures up to	Turndown ratio	Max. fluid temp.
.2 - 9.5 GPH .5 - 36 LPH	125 PSI (8.6 bar)	20 : 1	130 °F (54 °C)
Max. suction lift	Motor	Weight	Warranty
10 ft. Water 0 psig	AC Shaded Pole	8 lb. (3.18 Kg)	1 Year

Dimensions

Dim	Inch	cm
A	4.5"	11.43
B	9.06"	23.01
C	5.75"	14.61
D	2.3"	5.84



What's in the box

- C-1500N Diaphragm Metering Pump
- Discharge injection fitting with check valve
- Suction tube – clear PVC – 5' length (3/8" OD, 1/4" ID)
- Flow indicator
- Suction foot valve / strainer
- Suction ceramic weight
- Discharge tube – opaque polyethylene – 5' length (3/8" OD, 1/4" ID)
- Wall mount bracket
- Instruction manual



Model Number Matrix

C-1500N

C15N				0									Sample Model Number
-------------	--	--	--	----------	--	--	--	--	--	--	--	--	----------------------------

Maximum Motor RPM
1 = 30 RPM
2 = 45 RPM
3 = 60 RPM
4 = 125 RPM

Power Supply (motor protection)
0 = 115V60Hz(IP) 7 = 24V50Hz(none)*
1 = 220V50Hz (20% less output) (IP)
2 = 230V60Hz (IP)
3 = 24V60Hz (IP)
4 = 115V60Hz(TP)
5 = 220V50Hz(TP)
6 = 230V60Hz(TP)
8 = 240V50Hz(TP)
IP = Impedance protection, TP = Thermal protection *Intermittent duty only

Cam Stroke Length
1 = .125"
2 = .055"
3 = .187"
4 = .100"

Output Control & Electrical
X = Standard Equipment
A = Junction Box Replaces Power Cord

Pump Head Material
0 = Injection molded PVDF

Optional Accessories and Components
C-340-6T PTFE Foot Valve
A-014NK-6A PVDF Injector (1/2 psi spring)
C-395NK-6A PVDF Injector (6 psi spring)
C-406VT-15N Large Diaphragm, PTFE/Viton
R-106VT-15N Small Diaphragm PTFE/Viton
 Contact Factory for alternate bullet cartridge options

Footvalve
0 = C-340A (PVDF/Polypropylene)
1 = C-345A (PVDF/Polypropylene - bulkhead mount)

Injection Fitting
0 = A-014N (Polypropylene - 1/2 lb spring)
1 = C-395N (Polypropylene - 6 lb spring)
7 = A-014PN (PP 1/2 lb short depth)
8 = C-395PN (PP 6 lb spring)
X = None

Elastomer Material
V = Viton
E = EP

Diaphragm Style
0 = Lg. PTFE/EP
6 = Sm. PTFE/EP

Pump Head Style
0 = Lg. Diaphragm
2 = Sm. Diaphragm
4 = Lg. Diaphragm Carwash
6 = Sm. Diaphragm Carwash

[Star Tank options available page 96](#)

Visit Accessory Pages for More Options

DIAPHRAGM PUMP WARRANTY

LIMITED WARRANTY

Your Blue-White product is a quality product and is warranted for a specific time from date of purchase (proof of purchase is required). The product will be repaired or replaced at our discretion. Failure must have occurred due to defect in material or workmanship and not as a result of operation of the product other than in normal operation as defined in the product manual. Warranty status is determined by the product's serial label and the sales invoice or receipt. The serial label must be on the product and legible. The warranty status of the product will be verified by Blue-White or a factory authorized service center.

CHEM-FEED® C2, C3, CD1 and CD3 pumps are warranted for 2 years from date of purchase (proof of purchase is required). CHEM-FEED®, C-600 and C-1500 Pumps are warranted for 1 year from date of purchase (proof of purchase is required). Pumps will be repaired or replaced at our discretion.

DIAFLEX® diaphragms are warranted for the life of the pump. Blue-White will replace a damaged diaphragm at no cost to the customer provided the pump was at all times operated within the guidelines included in the pump's operation manual. This warranty only applies to DIAFLEX® diaphragms, not the pumps themselves. Blue-White pumps are separately covered by warranties specific to them.

WHAT IS NOT COVERED

- Rubber components and wear components. They are perishable and require periodic replacement.
- Pump removal, or re-installation, and any related labor charge.
- Freight to the factory, or service center.
- Products that have been tampered with, or in pieces.
- Damage resulting from misuse, carelessness such as chemical spills on the enclosure, abuse, lack of maintenance, or alteration which is out of our control.
- Damage by faulty wiring, power surges or acts of nature.

BLUE-WHITE does not assume responsibility for any loss, damage, or expense directly or indirectly related to or arising out of the use of its products. Failure must have occurred due to defect in material or workmanship and not as a result of operation of the product other than in normal operation as defined in the pump manual.

Warranty status is determined by the pump's serial label and the sales invoice or receipt. The serial label must be on the pump and legible. The warranty status of the pump will be verified by Blue-White or a factory authorized service center.

PROCEDURE FOR IN WARRANTY REPAIR

Warranty service must be performed by the factory or an authorized service center. Contact the factory or local repair center to obtain a RMA (Return Material Authorization) number. It is recommended to include foot strainer and injection/check valve fitting since these devices may be clogged and part of the problem. Decontaminate, dry, and carefully pack the product to be repaired. Please enclose a brief description of the problem and proof of purchase. Prepay all shipping and insurance cost. COD shipments will not be accepted. Damage caused by improper packaging is the responsibility of the sender. When In-Warranty repair is completed, the factory pays for return shipping to the dealer or customer.

PRODUCT USE WARNING

Blue-White products are manufactured to meet the highest quality standards in the industry. Each product instruction manual includes a description of the associated product warranty and provides the user with important safety information. Purchasers, installers, and operators of Blue-White products should take the time to inform themselves about the safe operation of these products. In addition, Customers are expected to do their own due diligence regarding which products and materials are best suited for their intended applications. BLUE-WHITE is pleased to assist in this effort but does not guarantee the suitability of any particular product for any specific application as Blue-White does not have the same degree of familiarity with the application that the customer/end user has. While BLUE-WHITE will honor all of its product warranties according to their terms and conditions, Blue-White shall only be obligated to repair or replace its defective parts or products in accordance with the associated product warranties.

BLUE-WHITE SHALL NOT BE LIABLE EITHER IN TORT OR IN CONTRACT FOR ANY LOSS OR DAMAGE WHETHER DIRECT, INDIRECT, INCIDENTAL, OR CONSEQUENTIAL, ARISING OUT OF OR RELATED TO THE FAILURE OF ANY OF ITS PARTS OR PRODUCTS OR OF THEIR NONSUITABILITY FOR A GIVEN PURPOSE OR APPLICATION.

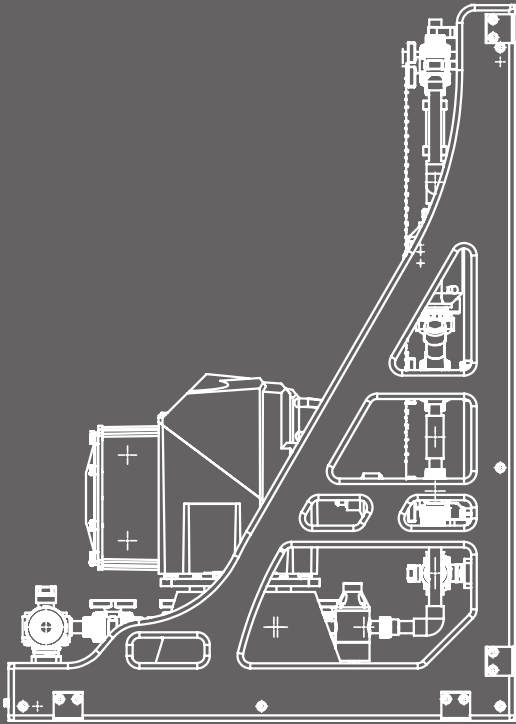
CHEMICAL RESISTANCE WARNING

BLUE-WHITE offers a wide variety of wetted parts. Purchasers, installers, and operators of Blue-White products must be well informed and aware of the precautions to be taken when injecting or measuring various chemicals, especially those considered to be irritants, contaminants or hazardous. Customers are expected to do their own due diligence regarding which products and materials are best suited for their applications, particularly as it may relate to the potential effects of certain chemicals on Blue-White products and the potential for adverse chemical interactions. Blue-White tests its products with water only. The chemical resistance information included in this instruction manual was supplied to BLUE-WHITE by reputable sources, but Blue-White is not able to vouch for the accuracy or completeness thereof. While BLUE-WHITE will honor all of its product warranties according to their terms and conditions, Blue-White shall only be obligated to repair or replace its defective parts or products in accordance with the associated product warranties.

BLUE-WHITE SHALL NOT BE LIABLE EITHER IN TORT OR IN CONTRACT FOR ANY LOSS OR DAMAGE, WHETHER DIRECT, INDIRECT, INCIDENTAL, OR CONSEQUENTIAL, ARISING OUT OF OR RELATED TO THE USE OF CHEMICALS IN CONNECTION WITH ANY BLUE-WHITE PRODUCTS.

Users of electrical and electronic equipment (EEE) with the WEEE marking per Annex IV of the WEEE Directive must not dispose of end of life EEE as unsorted municipal waste, but use the collection framework available to them for the return, recycle, recovery of WEEE and minimize any potential effects of EEE on the environment and human health due to the presence of hazardous substances. The WEEE marking applies only to countries within the European Union (EU) and Norway. Appliances are labeled in accordance with European Directive 2002/96/EC. Contact your local waste recovery agency for a Designated Collection Facility in your area.

INDUSTRIAL Skid Systems



Blue-White[®]

CFPS-1

CHEM-FEED® Plastic Simplex Skid System

- > Chemically resistant polyethylene structure
- > Leak free, threadless connections
- > Pressure Relief Valve protects the system from over-pressurization
- > Check Valve protects the user from back-flow during pump maintenance
- > Flow Indicator provides a visual indication of chemical movement

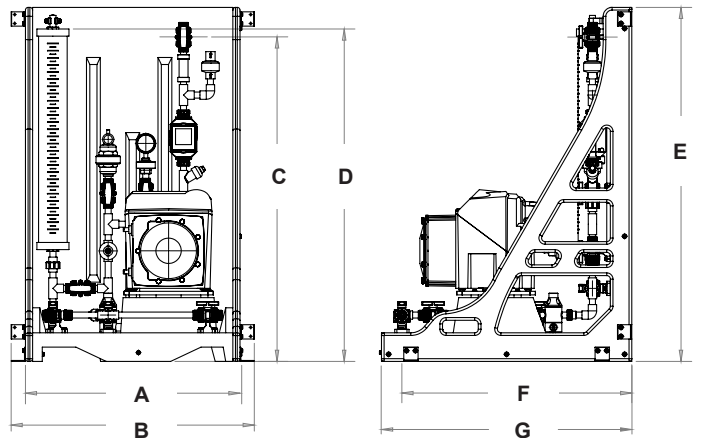


Highlights

Piping	Pressures up to	Compatibility	Drip tray
PVC Schedule 80 (optional CPVC, PVDF, and Chem Proline®)	150 PSI (10.3 bar)	A1, A2, A3, A4, C2, C3, CD1, CD3	2.22 Gal (8.4 L)
Frame material	Mounting position	Skid weight	Warranty
Polyethylene	Floor or wall	80 lb. (36 Kg)	2 Years

Dimensions

Dim	Inch	cm	Dim	Inch	cm
A	30.00"	76.20	E	49.50"	125.73
B	34.00"	86.36	F	32.15"	81.65
C	8.87"	22.54	G	35.00"	88.90
D	45.37"	115.24			



What's in the box

- | | |
|--------------------------------|----------------------------|
| Pressure Relief Valve | (Optional if ordered) |
| Check Valve | -Calibration Cylinder |
| Flow Indicator x1 | -Pulsation Dampener |
| Inlet Y Strainer x1 | -Pressure Gauge with Guard |
| Inlet/outlet connection tubing | -Pressure Switch |
| Wall/floor mount brackets | -Back Pressure Valve |
| USB Drive (Operating manual) | -MS6 Chemical Flow meter |
| | -Terminal Box |
| | -Electrical Outlet Box |



Model Number Matrix

*Consult factory for pricing

CF

CHEM-FEED® Simplex Skid System Matrix - Industrial

CFPS-1 Single pump system - PE structure

Inlet/Outlet

A	Single Inlet / Single Outlet
X	None, Skid Panel Only

Piping/Unions

A	PVC	B	CPVC	C	PVDF	D	Chem Proline®
----------	-----	----------	------	----------	------	----------	---------------

Seals

V	FKM	E	EPDM
----------	-----	----------	------

Tubing Connections

A	1/2" ID PVC Braided	B	1/2" ID PTFE	C	1/4" ID PE	D	1/4" ID PTFE
----------	------------------------	----------	-----------------	----------	---------------	----------	-----------------

Calibration Column

A	128 GPH (4000 ml) PVC	F	3 GPH (100 ml) PVC
B	64 GPH (2000 ml) PVC	P	32 GPH (1000 ml) Glass
C	32 GPH (1000 ml) PVC	Q	16 GPH (500 ml) Glass
D	16 GPH (500 ml) PVC	R	8 GPH (250 ml) Glass
E	8 GPH (250 ml) PVC	S	3 GPH (100 ml) Glass

Pulsation Dampener

P	10 cubic in	X	Not Included
----------	-------------	----------	--------------

Back Pressure Valve

B	Included	X	Not Included
----------	----------	----------	--------------

Pressure Gauge w/Guard

A	200 PSI	B	100 PSI	C	30 PSI
----------	---------	----------	---------	----------	--------

Pressure Switch w/Guard

S	Included	X	Not Included
----------	----------	----------	--------------

Flow Meter w/Strainer

A	10-5000 ml/m	B	100-10000 ml/m
X	Not Included		

Terminal Box

TA	A3S/A4S/CD3S	TD	A3/A4/CD3(Legacy)
TB	A1/CD1	X	Not Included
TC	A2/C2/C3		

Pumps

P	Mounted	X	Not Included
----------	---------	----------	--------------

*reference Adapter Kits Sheet 85000-198 when ordering with pumps utilizing "M = 1/2"MNPT " or "F = 1/2"FNPT" connections.

CFPS-1	I	A	A	V	A	-	A	P	B	A	S	A	TA	P	Sample Model Number
---------------	----------	----------	----------	----------	----------	----------	----------	----------	----------	----------	----------	----------	-----------	----------	----------------------------

NOTE: When ordering pumps for skids, pump head orientation is standard LEFT facing only. All skids are pressure tested prior to shipment. Pumps are purchased and shipped separately. Contact factory for quote/pricing on 5-point performance testing.

CFPS-2

CHEM-FEED® Plastic Duplex Skid System



- > Chemically resistant polyethylene structure
- > Leak free, threadless connections
- > Pressure Relief Valve protects the system from over-pressurization
- > Check Valve protects the user from back-flow during pump maintenance
- > Flow Indicator provides a visual indication of chemical movement

Highlights

Piping

PVC Schedule 80
(optional CPVC, PVDF,
and Chem Proline®)

Pressures up to

150 PSI
(10.3 bar)

Compatibility

A1, A2, A3, A4,
C2, C3, CD1, CD3

Drip tray

2.3 Gal
(11.4 L)

Frame material

Polyethylene

Mounting position

Floor or wall

Skid weight

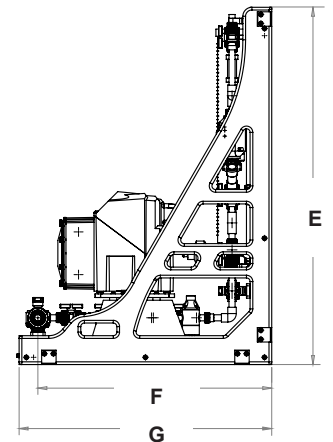
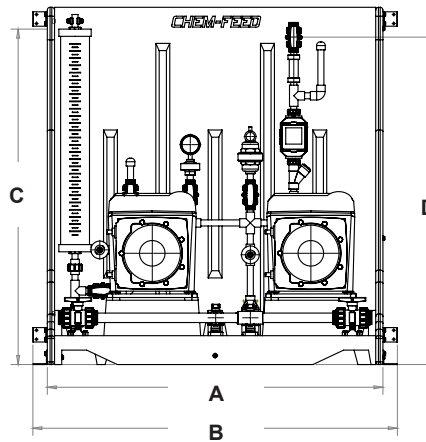
120 lb.
(54 Kg)

Warranty

2 Years

Dimensions

Dim	Inch	cm	Dim	Inch	cm
A	46.50"	118.11	E	49.50"	125.73
B	50.50"	128.27	F	32.40"	82.30
C	46.47"	118.04	G	35.00"	88.90
D	45.37"	115.24			



What's in the box

- | | |
|--------------------------------|----------------------------|
| Pressure Relief Valve | (Optional if ordered) |
| Check Valve x2 | Calibration Cylinder |
| Flow Indicator x1 | -Pulsation Dampener |
| Inlet Y Strainer x1 | -Pressure Gauge with Guard |
| Inlet/outlet connection tubing | -Pressure Switch |
| Wall/floor mount brackets | -Back Pressure Valve |
| USB Drive (Operating manual) | -MS6 Chemical Flow meter |
| | -Terminal Box |
| | -Electrical Outlet Box |



Model Number Matrix

*Consult factory for pricing CFF

CHEM-FEED® Duplex Skid System Matrix - Industrial

CFPS-2	Dual pump system - PE structure														
Inlet/Outlet															
A	Single Inlet / Single Outlet														
B	Single Inlet / Dual Outlet														
X	None, Skid Panel Only														
Piping/Unions															
A	PVC			B	CPVC			C	PVDF			D	Chem Proline®		
Seals															
V	FKM				E	EPDM									
Tubing Connections															
A	1/2" ID PVC Braided				B	1/2" ID PTFE			C	1/4" ID PE		D	1/4" ID PTFE		
Calibration Column															
A	128 GPH (4000 ml) PVC					F	3 GPH (100 ml) PVC								
B	64 GPH (2000 ml) PVC					P	32 GPH (1000 ml) Glass								
C	32 GPH (1000 ml) PVC					Q	16 GPH (500 ml) Glass								
D	16 GPH (500 ml) PVC					R	8 GPH (250 ml) Glass								
E	8 GPH (250 ml) PVC					S	3 GPH (100 ml) Glass								
Pulsation Dampener (One dampener provided. Contact factory for second dampener.)															
P	10 cubic in				X	Not Included									
Back Pressure Valve															
B	Included				X	Not Included									
Pressure Gauge w/Guard															
A	200 PSI			B	100 PSI			C	30 PSI						
Pressure Switch w/Guard															
S	Included				X	Not Included									
Flow Meter w/Strainer															
A	10-5000 ml/m				B	100-10000 ml/m									
X	Not Included														
Terminal Box															
TA	A3S/A4S/CD3S					TD	A3/A4/CD3 (Legacy)								
TB	A1/CD1					X	Not Included								
TC	A2/C2/C3														
Pumps															
P	Mounted*				X	Not Included									
*reference Adapter Kits Sheet 85000-198 when ordering with pumps utilizing "M = 1/2"MNPT" or "F = 1/2"FNPT" connections.															
CFPS-2	I	A	A	V	A	-	A	P	B	A	S	A	TA	P	Sample Model Number

NOTE: When ordering pumps for skids, pump head orientation is standard LEFT facing only. *When ordering skid with pumps of different model numbers, please include complete model number of each pump and location on skid with order. Contact factory for quote/pricing on 5-point performance testing.

CFPS-3

CHEM-FEED® Plastic Triplex Skid System



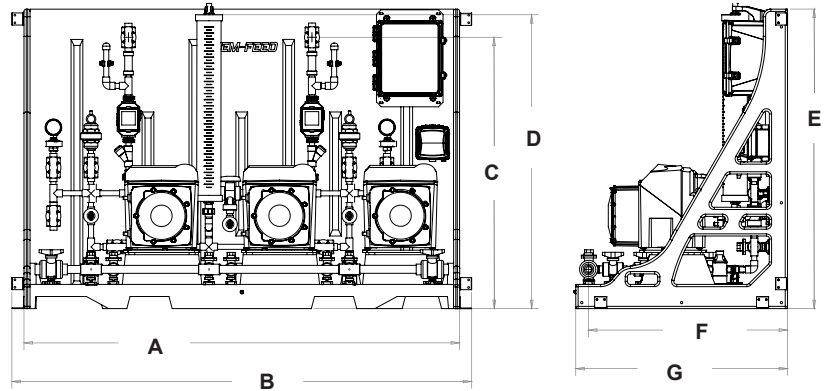
- > Chemically resistant polyethylene structure
- > Leak free, threadless connections
- > Pressure Relief Valve protects the system from over-pressurization
- > Check Valve protects the user from back-flow during pump maintenance
- > Flow Indicator provides a visual indication of chemical movement

Highlights

<p>Piping</p> <p>PVC Schedule 80 (optional CPVC, PVDF, and Chem Proline®)</p>	<p>Pressures up to</p> <p>150 PSI (10.3 bar)</p>	<p>Compatibility</p> <p>A1, A2, A3, A4, C2, C3, CD1, CD3</p>	<p>Drip tray</p> <p>2.74 Gal (12.46 L)</p>
<p>Frame material</p> <p>Polyethylene</p>	<p>Mounting position</p> <p>Floor Only</p>	<p>Skid weight</p> <p>200 lb. (91 Kg)</p>	<p>Warranty</p> <p>2 Years</p>

Dimensions

Dim	Inch	cm	Dim	Inch	cm
A	72.00"	182.88	E	49.50"	125.73
B	76.00"	193.04	F	32.91"	83.59
C	44.85"	113.92	G	35.00"	88.90
D	48.57"	123.37			



What's in the box

- | | |
|--------------------------------|----------------------------|
| Pressure Relief Valve x2 | (Optional if ordered) |
| Check Valve x2 | Calibration Cylinder |
| Flow Indicator x2 | -Pulsation Dampener |
| Inlet Y Strainer x3 | -Pressure Gauge with Guard |
| Inlet/outlet connection tubing | -Pressure Switch |
| Wall/floor mount brackets | -Back Pressure Valve |
| USB Drive (Operating manual) | -MS6 Chemical Flow meter |
| | -Terminal Box |
| | -Electrical Outlet Box |



Model Number Matrix

CHEM-FEED® Triplex Skid System Matrix - Industrial

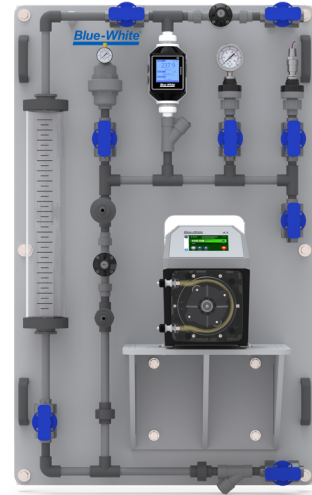
CFPS-3	Triplex pump system - PE structure														
Inlet/Outlet															
A	Single Inlet / Dual Outlet														
B	Single Inlet / Triple Outlet														
X	None, Skid Panel Only														
Piping/Unions															
A	PVC	B	CPVC	C	PVDF	D	Chem Proline®								
Seals															
V	FKM			E	EPDM										
Tubing Connections															
A	1/2" ID PVC Braided			B	1/2" ID PTFE			C	1/4" ID PE			D	1/4" ID PTFE		
Calibration Column															
A	128 GPH (4000 ml) PVC						F	3 GPH (100 ml) PVC							
B	64 GPH (2000 ml) PVC						P	32 GPH (1000 ml) Glass							
C	32 GPH (1000 ml) PVC						Q	16 GPH (500 ml) Glass							
D	16 GPH (500 ml) PVC						R	8 GPH (250 ml) Glass							
E	8 GPH (250 ml) PVC						S	3 GPH (100 ml) Glass							
Pulsation Dampener (Two dampeners provided)															
P	10 cubic in						X	Not Included							
Back Pressure Valve															
B	Included						X	Not Included							
Pressure Gauge w/Guard															
A	200 PSI				B	100 PSI				C	30 PSI				
Pressure Switch w/Guard															
S	Included						X	Not Included							
Flow Meter w/Strainer															
A	10-5000 ml/m						B	100-10000 ml/m							
X	Not Included														
Terminal Box															
TA	A3S/A4S/CD3S						TD	A3/A4/CD3 (Legacy)							
TB	A1/CD1						X	Not Included							
TC	A2/C2/C3														
Pumps															
P	Mounted*						X	Not Included							
*reference Adapter Kits Sheet 85000-198 when ordering with pumps utilizing "M = 1/2"MNPT" or "F = 1/2"FNPT" connections.															
CFPS-3	I	A	A	V	A	-	A	P	B	A	S	A	TA	P	Sample Model Number

NOTE: When ordering pumps for skids, pump head orientation is standard LEFT facing only. When ordering skid with pumps of different model numbers, please include complete model number of each pump and location on skid with order. Contact factory for quote/pricing on 5-point performance testing.

CFWS-1

CHEM-FEED® Wall Mount Simplex Skid System

- > Chemically resistant polyethylene structure
- > Leak free, threadless connections
- > Pressure Relief Valve protects the system from over-pressurization
- > Check Valve protects the user from back-flow during pump maintenance
- > Flow Indicator provides a visual indication of chemical movement



Highlights

Piping

PVC Schedule 80
(optional CPVC, PVDF,
and Chem Proline®)

Pressures up to

150 PSI
(10.3 bar)

Compatibility

A1, A2, A3, A4,
C2, C3, CD1, CD3

Pump Shelf

Polyethylene

Frame material

Polyethylene

Mounting position

Wall

Skid weight

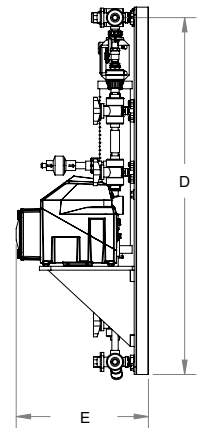
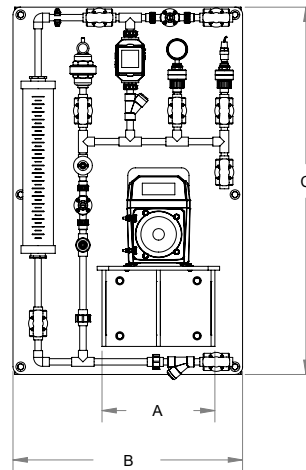
45 lb.
(20 Kg)

Warranty

2 Years

Dimensions

Dim	Inch	cm	Dim	Inch	cm
A	14.75"	37.5	D	46.63"	118.4
B	30.00"	76.2	E	17.29"	43.9
C	48.00"	121.9			



What's in the box

- | | |
|--------------------------------|----------------------------|
| Pressure Relief Valve | (Optional if ordered) |
| Check Valve | -Calibration Cylinder |
| Inlet Y Strainer x1 | -Pulsation Dampener |
| Inlet/outlet connection tubing | -Pressure Gauge with Guard |
| Wall mount brackets | -Pressure Switch |
| USB Drive (Operating manual) | -Back Pressure Valve |
| | -MS6 Chemical Flow meter |
| | -Terminal Box |
| | -Electrical Outlet Box |



Model Number Matrix

*Consult factory for pricing

CFWS-1

CHEM-FEED® Simplex Wall Skid System Matrix - Industrial

CFWS-1 Single pump system - single chemical / single outlet, PE structure

Inlet/Outlet

A	Single Inlet / Single Outlet
X	None, Skid Panel Only

Piping/Unions

A	PVC	C	PVDF
B	CPVC	D	CHEM PROLINE®

Seals

V	FKM	E	EPDM
----------	-----	----------	------

Tubing Connections

A	1/2" ID PVC Braided	C	1/4" ID PE
B	1/2" ID PTFE	D	1/4" ID PTFE

Calibration Column

A	128 GPH (4000 ml) PVC	F	3 GPH (100 ml) PVC
B	64 GPH (2000 ml) PVC	P	32 GPH (1000 ml) Glass
C	32 GPH (1000 ml)PVC	Q	16 GPH (500 ml) Glass
D	16 GPH (500 ml) PVC	R	8 GPH (250 ml) Glass
E	8 GPH (250 ml) PVC	S	3 GPH (100 ml) Glass

Pulsation Dampener

P	10 cubic in	X	Not Included
----------	-------------	----------	--------------

Back Pressure Valve

B	Included	X	Not Included
----------	----------	----------	--------------

Pressure Gauge w/Guard

A	200 PSI	B	100 PSI	C	30 PSI
----------	---------	----------	---------	----------	--------

Pressure Switch w/Guard

S	Included	X	Not Included
----------	----------	----------	--------------

Flow Meter w/Strainer

A	10-5000 mL/min
B	100-10000 mL/min
X	Not Included

CFWS-1	I	A	A	V	A	A	P	B	A	S	A	X	X	Sample Model Number
---------------	----------	----------	----------	----------	----------	----------	----------	----------	----------	----------	----------	----------	----------	----------------------------

NOTES: When ordering pumps for skids, pump head orientation is standard LEFT facing only. Terminal Boxes quoted and mounted separately. All skids are pressure tested prior to shipment. Pumps are purchased and shipped separately. Contact factory for quote/pricing on 5-point performance testing. Reference Adapter Kits Sheet 85000-198 when ordering with pumps utilizing "M = 1/2"MNPT " or "F = 1/2"FNPT" connections.

CFWS-2

CHEM-FEED® Wall Mount Duplex Skid System

- > Chemically resistant polyethylene structure
- > Leak free, threadless connections
- > Pressure Relief Valve protects the system from over-pressurization
- > Check Valve protects the user from back-flow during pump maintenance
- > Flow Indicator provides a visual indication of chemical movement



Highlights

Piping

PVC Schedule 80
(optional CPVC, PVDF,
and Chem Proline®)

Pressures up to

150 PSI
(10.3 bar)

Compatibility

A1, A2, A3, A4,
C2, C3, CD1, CD3

Pump Shelf

Polyethylene

Frame material

Polyethylene

Mounting position

Wall

Skid weight

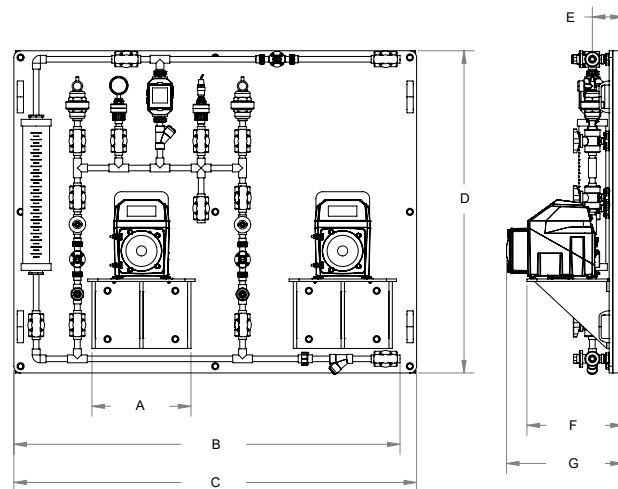
80 lb.
(36 Kg)

Warranty

2 Years

Dimensions

Dim	Inch	cm	Dim	Inch	cm
A	14.75"	37.5	E	4.63"	117.0
B	57.53"	146.1	F	14.38"	36.5
C	60.00"	152.4	G	17.41"	44.2
D	48.00"	121.9			



What's in the box

- | | |
|--------------------------------|----------------------------|
| Pressure Relief Valve | (Optional if ordered) |
| Check Valve | -Calibration Cylinder |
| Inlet Y Strainer x1 | -Pulsation Dampener |
| Inlet/outlet connection tubing | -Pressure Gauge with Guard |
| Wall mount brackets | -Pressure Switch |
| USB Drive (Operating manual) | -Back Pressure Valve |
| | -MS6 Chemical Flow meter |
| | -Terminal Box |
| | -Electrical Outlet Box |



Model Number Matrix

*Consult factory for pricing

CHEM-FEED® Duplex Wall Skid System Matrix - Industrial

CFWS-2 Duplex pump system - single chemical / single outlet, PE structure

Inlet/Outlet

A	Single Inlet / Single Outlet
X	None, Skid Panel Only

Piping/Unions

A	PVC	C	PVDF
B	CPVC	D	CHEM PROLINE®

Seals

V	FKM	E	EPDM
----------	-----	----------	------

Tubing Connections

A	1/2" ID PVC Braided	C	1/4" ID PE
B	1/2" ID PTFE	D	1/4" ID PTFE

Calibration Column

A	128 GPH (4000 ml) PVC	F	3 GPH (100 ml) PVC
B	64 GPH (2000 ml) PVC	P	32 GPH (1000 ml) Glass
C	32 GPH (1000 ml) PVC	Q	16 GPH (500 ml) Glass
D	16 GPH (500 ml) PVC	R	8 GPH (250 ml) Glass
E	8 GPH (250 ml) PVC	S	3 GPH (100 ml) Glass

Pulsation Dampener (10 cubic in.)

P	Two Dampeners	D	One Dampener	X	Not Included
----------	---------------	----------	--------------	----------	--------------

Back Pressure Valve

B	Included	X	Not Included
----------	----------	----------	--------------

Pressure Gauge w/Guard

A	200 PSI	B	100 PSI	C	30 PSI
----------	---------	----------	---------	----------	--------

Pressure Switch w/Guard

S	Included	X	Not Included
----------	----------	----------	--------------

Flow Meter w/Strainer

A	10-5000 mL/min
B	100-10000 mL/min
X	Not Included

CFWS-2	I	A	A	V	A	A	P	B	A	S	A	X	X	Sample Model Number
---------------	----------	----------	----------	----------	----------	----------	----------	----------	----------	----------	----------	----------	----------	----------------------------

NOTES: When ordering pumps for skids, pump head orientation is standard LEFT facing only. Terminal Boxes quoted and mounted separately. All skids are pressure tested prior to shipment. Pumps are purchased and shipped separately. Contact factory for quote/pricing on 5-point performance testing. Reference Adapter Kits Sheet 85000-198 when ordering with pumps utilizing "M = 1/2"MNPT" or "F = 1/2"FNPT" connections.

CFS-1

CHEM-FEED® Aluminum Simplex Skid System



- > The pre-fabricated design allows for easy installation
- > Strong, lightweight polyester powder coated welded aluminum structure
- > Dual side inlets enable connection of multiple skids to the same inlet
- > Flow Indicator provides a visual indication of chemical movement
- > Optional Flow Verification Sensor for monitoring system

Highlights

Piping

PVC Schedule 80
(optional CPVC)

Pressures up to

150 PSI
(10.3 bar)

Compatibility

A100N, A1, A2, A3, A4,
C2, C3, CD1, CD3

Drip tray

4 Gal
(15.1 L)

Frame material

Powder coated
aluminum

Mounting position

Floor or wall

Skid weight

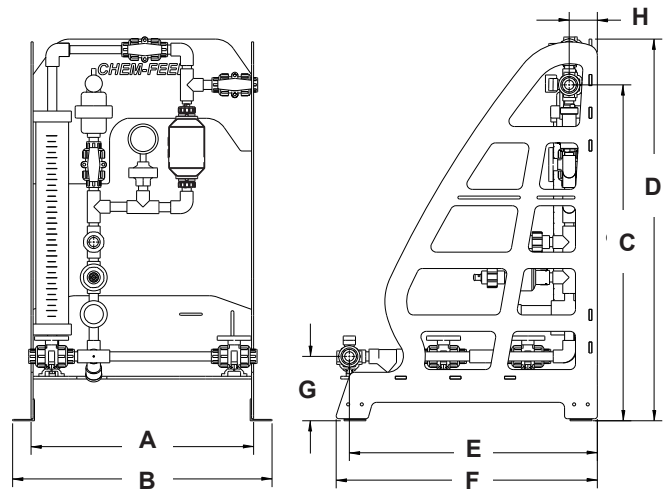
60 lb.
(27.2 Kg)

Warranty

2 Years

Dimensions

Dim	Inch	cm	Dim	Inch	cm
A	20.25"	51.40	E	22.75"	57.80
B	23.75"	60.30	F	24.00"	61.00
C	30.75"	78.10	G	6.00"	15.20
D	35.00"	88.90	H	2.50"	6.40



What's in the box

- | | |
|--------------------------------|-----------------------|
| Pressure Relief Valve | (Optional if ordered) |
| Check Valve | Pulsation Dampener |
| Flow Indicator x1 | Pressure gauge |
| Inlet Y Strainer x1 | Calibration column |
| Inlet/outlet connection tubing | Flow sensor |
| Wall/floor mount brackets | |
| USB Drive (Operating manual) | |



Model Number Matrix

CHEM-FEED® Engineered Skid System - Industrial

*Consult factory for pricing

CFS-1 Industrial Single pump system - single chemical / single outlet

Piping / Valves / Unions / Seal Materials

A	PVC piping, FKM seals, 1/2" ID PVC braided tubing connections	E	CPVC piping, FKM seals 1/2" ID PVC braided tubing connections
B	PVC piping, EPDM seals, 1/2" ID PVC braided tubing connections	F	CPVC piping, EPDM seals 1/2" ID OD PVC braided tubing connections
C	PVC piping, FKM seals, 1/4" ID polyethylene tubing connections	G	CPVC piping, FKM seals 1/4" ID Polyethylene tubing connections
D	PVC piping, EPDM seals, 1/4" ID Polyethylene tubing connections	H	CPVC piping, EPDM seals 1/4" ID Polyethylene tubing connections
X	Skid frame only without piping		

Structure Assembly Materials

A	Chemical resistant powder coated aluminum stand with 316SS mounting pads
----------	--

Chemical Feed Flow Meter

A	MS612 chemical feed flow meter with meter mount display, 10-5,000 ml/min (0.158 - 79.2 GPH)
B	MS622 chemical feed flow meter with meter mount display, 100-10,000 ml/min (1.58 - 158.5 GPH)
X	None

Calibration Cylinder

		PVC		Glass	
A	64 GPH (2000 ml)	A			
B	32 GPH (1000 ml)	B		P	
C	16 GPH (500 ml)	C		Q	
D	8 GPH (250 ml)	D		R	
E	3 GPH (100 ml)	E		S	
X	None				

Pulsation Dampener

A	10 cubic inch, CPVC body, PTFE diaphragm	X	NONE
----------	--	----------	------

Pressure Gauge w/Guard

A	200 PSI gauge, PTFE diaphragm	C	30 PSI gauge, PTFE diaphragm
B	100 PSI gauge, PTFE diaphragm	X	None

Pump Isolation Valve

(Blank)	None
A	Isolation ball shut-off valves at check valve

CFS-1 **A** **A** **-** **A** **A** **A** **A** **-** **Sample Model Number**

NOTES: When ordering pumps for skids, pump head orientation is standard LEFT facing only. Terminal Boxes quoted and mounted separately. All skids are pressure tested prior to shipment. Pumps are purchased and shipped separately. Contact factory for quote/pricing on 5-point performance testing. **Reference Adapter Kits Sheet 85000-198** when ordering with pumps utilizing "M = 1/2"MNPT" or "F = 1/2"FNPT" connections.

CFS-2

CHEM-FEED® Aluminum Duplex Skid System

- > The pre-fabricated design allows for easy installation
- > Strong, lightweight polyester powder coated welded aluminum structure
- > Dual side inlets enable connection of multiple skids to the same inlet
- > Flow Indicator provides a visual indication of chemical movement
- > Optional Flow Verification Sensor for monitoring system



Highlights

Piping

PVC Schedule 80
(optional CPVC)

Pressures up to

150 PSI
(10.3 bar)

Compatibility

A100N, A1,A2, A3, A4,
C2, C3, CD1, CD3

Drip tray

8 Gal
(30.3 L)

Frame material

Powder coated
aluminum

Mounting position

Floor or wall

Skid weight

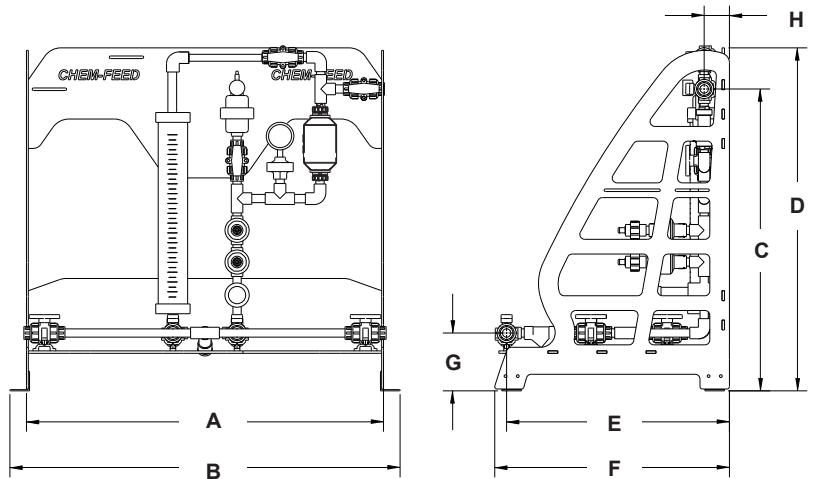
70 lb.
(31.8 Kg)

Warranty

2 Years

Dimensions

Dim	Inch	cm	Dim	Inch	cm
A	36.25"	92.10	E	22.75"	57.80
B	39.75"	101.00	F	24.00"	61.00
C	30.75"	78.10	G	6.00"	15.20
D	35.00"	88.90	H	2.50"	6.40



What's in the box

Pressure Relief Valve
Check Valve
Flow Indicator x1
Inlet Y Strainer x1
Inlet/outlet connection tubing
Wall/floor mount brackets
USB Drive (Operating manual)

(Optional if ordered)
Pulsation Dampener
Pressure gauge
Calibration column
Flow sensor



Model Number Matrix

CHEM-FEED® Engineered Skid System - Industrial

*Consult factory for pricing

CFS-2 Industrial Dual pump system - single chemical / single outlet

Piping / Valves / Unions / Seal Materials

A	PVC piping, FKM seals, 1/2" ID PVC braided tubing connections	E	CPVC piping, FKM seals, 1/2" ID PVC braided tubing connections
B	PVC piping, EPDM seals, 1/2" ID PVC braided tubing connections	F	CPVC piping, EPDM seals, 1/2" ID PVC braided tubing connections
C	PVC piping, FKM seals, 1/4" ID polyethylene tubing connections	G	CPVC piping, FKM seals, 1/4" ID Polyethylene tubing connections
D	PVC piping, EPDM seals, 1/4" ID Polyethylene tubing connections	H	CPVC piping, EPDM seals, 1/4" ID Polyethylene tubing connections
X	Skid frame only without piping		

Structure Assembly Materials

A	Chemical resistant powder coated aluminum stand with 316SS mounting pads
----------	--

Chemical Feed Flow Meter

A	MS612 chemical feed flow meter with meter mount display, 10-5,000 ml/min (0.158 - 79.2 GPH)
B	MS622 chemical feed flow meter with meter mount display, 100-10,000 ml/min (1.58 - 158.5 GPH)
X	None

Calibration Cylinder

	PVC	Glass
A 64 GPH (2000 ml)	A	
B 32 GPH (1000 ml)	B	P
C 16 GPH (500 ml)	C	Q
D 8 GPH (250 ml)	D	R
E 3 GPH (100 ml)	E	S
X None		

Pulsation Dampener

A	10 cubic inch, CPVC body, PTFE diaphragm	X	None
----------	--	----------	------

Pressure Gauge w/Guard

A	200 PSI gauge, PTFE diaphragm	C	30 PSI gauge, PTFE diaphragm
B	100 PSI gauge, PTFE diaphragm	X	None

Pump Isolation Valves

(Blank)	None
A	Isolation ball shut-off valves at check valves

Piping Orientation

(Blank)	Standard
R	Reversed

CFS-2 **A** **A** **-** **A** **A** **A** **A** **-** **Sample Model Number**

NOTES: When ordering pumps for skids, pump head orientation is standard LEFT facing for right pump, and Right facing for left pump.. Terminal Boxes quoted and mounted separately. All skids are pressure tested prior to shipment. Pumps are purchased and shipped separately. Contact factory for quote/pricing on 5-point performance testing.

Reference Adapter Kits Sheet 85000-198 when ordering with pumps utilizing "M = 1/2"MNPT " or "F = 1/2"FNPT" connections.

PUMP to SKID ADAPTER KITS

An adapter kit must be added to order of a skid (single, duplex, triplex) with the following pumps:

A1, M1, A2, M2, A3, M3, A4, M4. (with “M” type tube fittings)

C2, C3. (with “F” type connections.)

(Kits are not necessary when ordering CD3 or MD3 pumps, or pumps with “S”, “B”, or “Q” tube fittings.)

Number of adapter kits ordered must equal number of pumps. No extra charge for the Kits when ordered with skids.

A1 / M1 Pumps with M type tube fittings



[KIT-CSP] 72000-789: Kit Coupling S/A .37T .50F/NPT PVC
[KIT-CSC] 72000-791: Kit Coupling S/A .37T .50F/NPT CPVC



[KIT-CBP] 72000-788: Kit Coupling S/A .50 Barb .50F/NPT PVC
[KIT-CBC] 72000-790: Kit Coupling S/A .50 Barb .50F/NPT CPVC

A2/M2, A3/M3, A4/M4 Pumps w/ M type tube fittings



[KIT-USPV] 72000-781: Kit Union S/A .37T .50F/NPT PVC/FKM
[KIT-USPE] 72000-782: Kit Union S/A .37T .50F/NPT PVC/EP
[KIT-USCV] 72000-785: Kit Union S/A .37T .50F/NPT CPVC/FKM
[KIT-USCE] 72000-786: Kit Union S/A .37T .50F/NPT CPVC/EP



[KIT-UBPV] 72000-779: Kit Union S/A .50 Barb .50F/NPT PVC/FKM
[KIT-UBPE] 72000-780: Kit Union S/A .50 Barb .50F/NPT PVC/EP
[KIT-UBCV] 72000-783: Kit Union S/A .50 Barb .50F/NPT CPVC/FKM
[KIT-UBCE] 72000-784: Kit Union S/A .50 Barb .50F/NPT CPVC/EP

C2 / C3 Pumps with F type connections



[KIT-EBP] 72000-787: Kit Elbow S/A .50 Barb .50 M/NPT PVC

Notes:

SKID SYSTEM WARRANTY

LIMITED WARRANTY

Your Blue-White product is a quality product and is warranted for a specific time from date of purchase (proof of purchase is required). The product will be repaired or replaced at our discretion. Failure must have occurred due to defect in material or workmanship and not as a result of operation of the product other than in normal operation as defined in the product manual. Warranty status is determined by the product's serial label and the sales invoice or receipt. The serial label must be on the product and legible. The warranty status of the product will be verified by Blue-White or a factory authorized service center.

CHEM-FEED® skid systems are warranted for 2 years from date of purchase (proof of purchase is required). The system will be repaired or replaced at our discretion. The metering pump may have its own warranty and is not covered under this warranty.

WHAT IS NOT COVERED

- Pump removal, or re-installation, and any related labor charge.
- Freight to the factory, or service center.
- Products that have been tampered with, or in pieces.
- Damage resulting from misuse, carelessness such as chemical spills on the enclosure, abuse, lack of maintenance, or alteration which is out of our control.
- Damage by faulty wiring, power surges or acts of nature.

BLUE-WHITE does not assume responsibility for any loss, damage, or expense directly or indirectly related to or arising out of the use of its products. Failure must have occurred due to defect in material or workmanship and not as a result of operation of the product other than in normal operation as defined in the pump manual.

Warranty status is determined by the pump's serial label and the sales invoice or receipt. The serial label must be on the pump and legible. The warranty status of the pump will be verified by Blue-White or a factory authorized service center.

PROCEDURE FOR IN WARRANTY REPAIR

Warranty service must be performed by the factory or an authorized service center. Contact the factory or local repair center to obtain a RMA (Return Material Authorization) number. It is recommended to include foot strainer and injection/check valve fitting since these devices may be clogged and part of the problem. Decontaminate, dry, and carefully pack the product to be repaired. Please enclose a brief description of the problem and proof of purchase. Prepay all shipping and insurance cost. COD shipments will not be accepted. Damage caused by improper packaging is the responsibility of the sender. When In-Warranty repair is completed, the factory pays for return shipping to the dealer or customer.

PRODUCT USE WARNING

Blue-White products are manufactured to meet the highest quality standards in the industry. Each product instruction manual includes a description of the associated product warranty and provides the user with important safety information. Purchasers, installers, and operators of Blue-White products should take the time to inform themselves about the safe operation of these products. In addition, Customers are expected to do their own due diligence regarding which products and materials are best suited for their intended applications. BLUE-WHITE is pleased to assist in this effort but does not guarantee the suitability of any particular product for any specific application as Blue-White does not have the same degree of familiarity with the application that the customer/end user has. While BLUE-WHITE will honor all of its product warranties according to their terms and conditions, Blue-White shall only be obligated to repair or replace its defective parts or products in accordance with the associated product warranties.

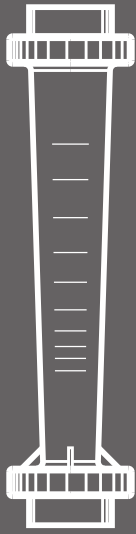
BLUE-WHITE SHALL NOT BE LIABLE EITHER IN TORT OR IN CONTRACT FOR ANY LOSS OR DAMAGE WHETHER DIRECT, INDIRECT, INCIDENTAL, OR CONSEQUENTIAL, ARISING OUT OF OR RELATED TO THE FAILURE OF ANY OF ITS PARTS OR PRODUCTS OR OF THEIR NONSUITABILITY FOR A GIVEN PURPOSE OR APPLICATION.

CHEMICAL RESISTANCE WARNING

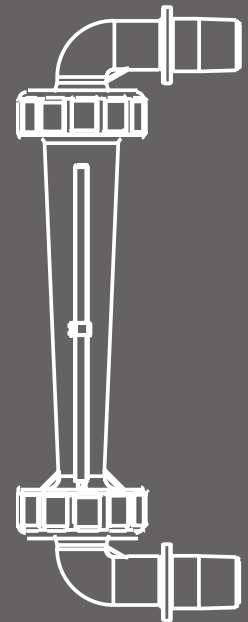
BLUE-WHITE offers a wide variety of wetted parts. Purchasers, installers, and operators of Blue-White products must be well informed and aware of the precautions to be taken when injecting or measuring various chemicals, especially those considered to be irritants, contaminants or hazardous. Customers are expected to do their own due diligence regarding which products and materials are best suited for their applications, particularly as it may relate to the potential effects of certain chemicals on Blue-White products and the potential for adverse chemical interactions. Blue-White tests its products with water only. The chemical resistance information included in this instruction manual was supplied to BLUE-WHITE by reputable sources, but Blue-White is not able to vouch for the accuracy or completeness thereof. While BLUE-WHITE will honor all of its product warranties according to their terms and conditions, Blue-White shall only be obligated to repair or replace its defective parts or products in accordance with the associated product warranties.

BLUE-WHITE SHALL NOT BE LIABLE EITHER IN TORT OR IN CONTRACT FOR ANY LOSS OR DAMAGE, WHETHER DIRECT, INDIRECT, INCIDENTAL, OR CONSEQUENTIAL, ARISING OUT OF OR RELATED TO THE USE OF CHEMICALS IN CONNECTION WITH ANY BLUE-WHITE PRODUCTS.

Users of electrical and electronic equipment (EEE) with the WEEE marking per Annex IV of the WEEE Directive must not dispose of end of life EEE as unsorted municipal waste, but use the collection framework available to them for the return, recycle, recovery of WEEE and minimize any potential effects of EEE on the environment and human health due to the presence of hazardous substances. The WEEE marking applies only to countries within the European Union (EU) and Norway. Appliances are labeled in accordance with European Directive 2002/96/EC. Contact your local waste recovery agency for a Designated Collection Facility in your area.



INDUSTRIAL Flow Meters



Blue-White[®]

MS6

SONIC-PRO Flow Meter



- > Inline pipe fittings for easy installation
- > Isolated 4-20 mA output - fully configurable
- > Process control via configurable solid state relay
- > User configurable flow rate and total set-point triggers
- > True unions for ease of maintenance

Highlights

Flow range 10 - 10,000 mL/min .158 - 158.5 GPH	Pressures up to 200 PSI (13.8 bar)	Body material PVDF	Display LCD
Pipe sizes 1/2" Barb, 1/2" M/NPT, 1/2" PVC slip	Display options Remote mount or meter mount	Weight 1.9 lb. (0.86 kg)	Warranty 2 Years

Dimensions

Dim	Inch	cm	Dim	Inch	cm
A	3.8"	9.7	E	10.02"	25.5
B	10.0"	25.4	F	3.8"	9.7
C	3.9"	9.9	G	3.7	9.4
D	3.4"	8.6			

Remote Mount Display Meter Body

Meter Mount Display Meter Body

What's in the box

- MS6 Chemical Feed meter
- Meter Body Connection Fittings
- 3/16" Hex Key
- USB Drive (Operating manual and Blue-Central®)
- USB-A to USB-C connector
- Power Supply (user configurable)



Model Number Matrix

SONIC-PRO® Model Number

MS6	MS6 Chemical Feed Flow Meter				
Flow Range					
1	10-5000 mL/min (0.158-79.2 GPH)				
2	100-10000 mL/min (1.58 -158.5 GPH)				
Display Options					
1	Remote Mount Display				
2	Meter Mount Display				
Elastometer Material (O-Ring)					
V	TFE/P				
E	EP				
MS6	1	1	V	X	Sample Model Number

Display Options



MICRO-FLO

Paddlewheel Flow Verification Sensor

- > High accuracy digital paddlewheel technology
- > 1/8", 1/4" or 1/2" NPT, 1/4"OD or 3/8"OD Tubing sizes
- > Tamper proof factory programming
- > PVC or PVDF adapters available



Highlights

Flow range

.008 - 1.85 GPM
.03 - 7.00 LPM

Pressures up to

150 PSI
(10 bar)

Max. fluid temp.

200 °F (93 °C)
at 0 PSI

Body material

PVDF

Connector Size

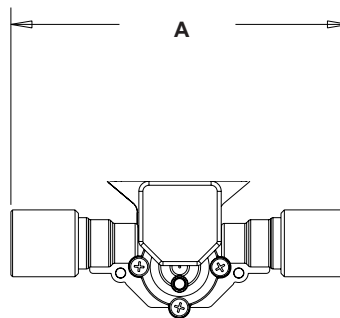
1/8", 1/4", 1/2" F/NPT

Warranty

1 Year

Dimensions

Dim	Inch	cm
A	5.0"	12.7



What's in the box

Flow Sensor x1
Instruction manual



Model Number Matrix

FV	1	-	10	1	-	1	V	Sample Model Number
-----------	----------	----------	-----------	----------	----------	----------	----------	----------------------------

Meter Function
FV = Flow sensor only (no display)

Power Supply
1 = Transformer U.S. 115VAC/15VDC
2 = Transformer E.U. 220VAC/15VDC
None = No selection (customer supplied)

Flow Range Selection
10 = 30-300 ml/min*
20 = 100-1000 ml/min*
30 = 200-2000 ml/min
40 = 300-3000 ml/min
50 = 500-5000 ml/min
60 = 700-7000 ml/min

* Consult factory for assistance on 10 and 20 flow models (review pressure drop, fluid viscosity, and particulate size)

O-ring Seal Selection
V = Viton
E = EP

Connector Selection
1 = .500" ID hose barb, PVC
2 = .500" Male NPT, PVC
3 = .500" Female NPT, PVC
4 = .250" OD tubing connection, Polypropylene
5 = .125" Female NPT, PVC
6 = .375" OD tubing connection, PVDF
7 = .250" Female NPT, PVC

Lens Material Selection
1 = Opaque PVDF

F-1000

Paddlewheel Flow Meter

- > High accuracy digital paddlewheel technology
- > 3/8", 1/2", 3/4", 1", 1-1/2", and 2" male pipe threads
- > 1-1/2", 2", 2-1/2", 3", 4", 6", 8", 10" and 12" saddle mount sizes
- > Tamper proof factory programming
- > Easy to read 6 digit LCD display, up to 4 decimal places
- > Flow rate and flow totalization



Highlights

Flow range	Pressures up to	Max. fluid temp.
.4 - 8,000 GPM 1 - 27,000 LPM	300 PSI (20 bar)	200 °F (93 °C) at 0 PSI
Body material	Pipe sizes	Warranty
PVC, Polypropylene or 316 Stainless Steel	3/8", up to 12"	1 Year

Polypropylene Molded In-Line Pipe

Pipe Size	GPM	LPM	Flow Range
3/8"	.8 - 8	3 - 30	Range 1
3/8"	.4 - 4	1 - 10	Range 2
1/2"	2 - 20	7 - 70	Range 1
3/4"	3 - 30	11 - 110	Range 1
1"	5 - 50	20 - 200	Range 1
1 1/2"	6 - 60	25 - 250	Range 2
2"	10 - 100	40 - 400	Range 3
2"	20 - 200	70 - 700	Range 4

Metric Saddle Mount Pipe

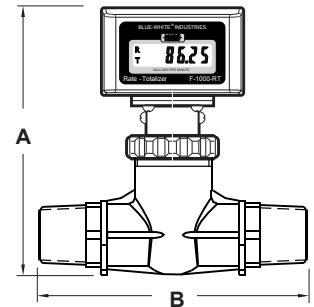
DIN 8062	LPM Range	Material
50mm	70 - 700	PVDF
63mm	110 - 1100	PVDF
75mm	150 - 1500	PVC
90mm	230 - 2300	PVDF
110mm	350 - 3500	PVC
160mm	720 - 7200	PVC
200mm	1150 - 11500	PVC
250mm	1700 - 17000	PVC
315mm	2700 - 27000	PVC

Standard Saddle Mount Pipe

Pipe Size	GPM	LPM	Material
1 1/2"	15 - 150	60 - 600	PVDF
2"	30 - 300	100 - 1000	PVDF
2 1/2"	40 - 400	150 - 1500	PVC
3"	60 - 600	250 - 2500	PVDF
4"	100 - 1000	400 - 4000	PVC
6"	250 - 2500	900 - 9000	PVC
8"	400 - 4000	1600 - 16000	PVC
10"	600 - 6000	2400 - 24000	PVC
12"	800 - 8000	3200 - 32000	PVC

PVC TEE Pipe

Pipe	GPM	LPM	Material
1"	6 - 60	25 - 250	PVC
1 1/2"	15 - 150	60 - 600	PVC
2"	30 - 300	100 - 1000	PVC
3"	60 - 600	230 - 2300	PVC



Dimensions

Pipe Size	A	B
3/8"	5-3/8" (137mm)	4-3/4" (121mm)
1/2"	5-3/8" (137mm)	5-1/8" (130mm)
3/4"	5-5/8" (143mm)	5-1/4" (133mm)
1"	5-5/8" (143mm)	5-5/8" (143mm)
1-1/2"	6-1/8" (156mm)	6-1/2" (165mm)
2"	6-3/8" (162mm)	6-3/4" (171mm)

What's in the box

- Flow meter x1
- Clamp (saddle only) x 2
- Pipe Plug (saddle only) x 1
- Batteries x2 (installed)
- Instruction manual



F-1000 Model Number Matrix

RB	-	375	MI	-	GPM	1	-			Sample Model Number
-----------	---	------------	-----------	---	------------	----------	---	--	--	----------------------------

Variations

RB = Rate Only
TB = Total Only
RT = Rate and Total

Pipe Fitting

Blank = Standard
P = No pipe fitting

Pipe Sizes M/NPT

Imperial Pipe Sizes	Metric Pipe Sizes
375 = 3/8" IPS	050 = 50 mm
500 = 1/2" IPS	063 = 63 mm
750 = 3/4" IPS	075 = 75 mm
100 = 1" IPS	090 = 90 mm
150 = 1-1/2" IPS	110 = 110 mm
200 = 2" IPS	160 = 160 mm
250 = 2-1/2" IPS	200 = 200 mm
300 = 3" IPS	250 = 250 mm
400 = 4" IPS	315 = 315 mm
600 = 6" IPS	
800 = 8" IPS	
1000 = 10" IPS	
1200 = 12" IPS	

O-rings / Elastomers

Blank = Standard
E = EPDM O-rings

Calibration Range | [Click here for fitting options](#)

1 = Range 1	3 = Range 3
2 = Range 2	4 = Range 4
Molded In-line fittings - Use last number of fitting #.	
All other fittings - Use Range 1	

Calibration Units

GPM = U.S. Gallons per minute
GPH = U.S. Gallons per hour
GPD = U.S. Gallons per day
OZM = U.S. Ounces per minute
CFM = Cubic Feet per minute
AFD = Acre Feet per day
LPM = Liters per minute
LPH = Liters per hour
LPD = Liters per day
M3H = Cubic Meters per hour
IGM = Imperial Gallons per minute
IGH = Imperial Gallons per hour

Pipe Fitting Type

S4 = SADDLE, SCH40 (I.P.S.) PVC or IRON pipe	MI = INLINE INJECTION MOLDED PP AMERICAN M/NPT
1-1/2", 2", 3" PVDF	3/8", 1/2", 3/4", 1" M/NPT, polypropylene
2-1/2", 4", 6", 8" PVC	1-1/2" M/NPT, polypropylene
10", 12" PVC	2" M/NPT, polypropylene
S8 = SADDLE, SCH80 (I.P.S.) PVC pipe	MB = INLINE INJECTION MOLDED PP BRITISH M/BSPT
1-1/2", 2", 3" PVDF	3/8", 1/2", 3/4", 1" M/BSPT, polypropylene
2-1/2", 4", 6", 8" PVC	1-1/2" M/BSPT, polypropylene
10", 12" PVC	2" M/BSPT, polypropylene
P0 = SADDLE, PN10 METRIC (DIN 8062) pipe	AT = INLINE INJECTION MOLDED TEE PVC SLIP/SOCKET
50 mm, 63 mm, 90 mm PVDF	1", 1-1/2", 2" PVC
75, 110, 160, 200 mm PVC	3" PVC
250, 315 mm PVC	
P6 = SADDLE, PN16 METRIC (DIN 8062) pipe	
50 mm, 63 mm, 90 mm PVDF	
75, 110, 160, 200 mm PVC	
250, 315 mm PVC	

F-2000

Paddlewheel Flow Meter



- > High accuracy digital paddlewheel technology
- > 3/8", 1/2", 3/4", 1", 1-1/2", and 2" male pipe threads
- > 1-1/2", 2", 2-1/2", 3", 4", 6", 8", 10" and 12" saddle mount sizes
- > Optional 4-20mA or 0-10VDC output
- > Easy to read 8 digit LCD display, up to 4 decimal places
- > Flow rate and flow totalization
- > Front panel security lock-out

Highlights

<p>Flow range</p> <p>.4 - 8,000 GPM 1 - 27,000 LPM</p>	<p>Pressures up to</p> <p>300 PSI (20 bar)</p>	<p>Max. fluid temp.</p> <p>200 °F (93 °C) at 0 PSI</p>
<p>Body material</p> <p>PVC, Polypropylene or 316 Stainless Steel</p>	<p>Pipe sizes</p> <p>3/8", up to 12"</p>	<p>Warranty</p> <p>1 Year</p>

Polypropylene Molded In-Line Pipe

Pipe Size	GPM	LPM	Flow Range	DIN 8062	LPM Range	Material
3/8"	.8 - 8	3 - 30	Range 1	50mm	70 - 700	PVDF
3/8"	.4 - 4	1 - 10	Range 2	63mm	110 - 1100	PVDF
1/2"	2 - 20	7 - 70	Range 1	75mm	150 - 1500	PVC
3/4"	3 - 30	11 - 110	Range 1	90mm	230 - 2300	PVDF
1"	5 - 50	20 - 200	Range 1	110mm	350 - 3500	PVC
1 1/2"	6 - 60	25 - 250	Range 2	160mm	720 - 7200	PVC
2"	10 - 100	40 - 400	Range 3	200mm	1150 - 11500	PVC
2"	20 - 200	70 - 700	Range 4	250mm	1700 - 17000	PVC
				315mm	2700 - 27000	PVC

Metric Saddle Mount Pipe

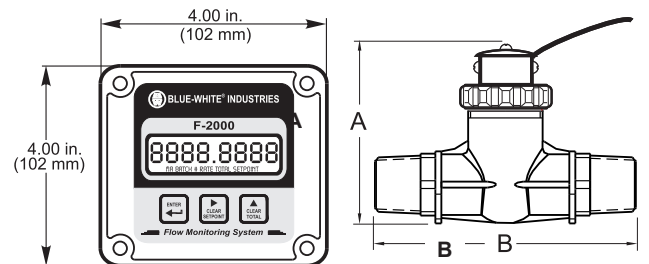
PVC TEE Pipe

Standard Saddle Mount Pipe

Pipe Size	GPM	LPM	Material	Pipe	GPM	LPM	Material
1 1/2"	15 - 150	60 - 600	PVDF	1"	6 - 60	25 - 250	PVC
2"	30 - 300	100 - 1000	PVDF	1 1/2"	15 - 150	60 - 600	PVC
2 1/2"	40 - 400	150 - 1500	PVC	2"	30 - 300	100 - 1000	PVC
3"	60 - 600	250 - 2500	PVDF	3"	60 - 600	230 - 2300	PVC
4"	100 - 1000	400 - 4000	PVC				
6"	250 - 2500	900 - 9000	PVC				
8"	400 - 4000	1600 - 16000	PVC				
10"	600 - 6000	2400 - 24000	PVC				
12"	800 - 8000	3200 - 32000	PVC				

Dimensions

Pipe Size	A	B
3/8"	3-3/4" (95mm)	4-3/4" (121mm)
1/2"	3-3/4" (95mm)	5-1/8" (130mm)
3/4"	4" (102mm)	5-1/4" (133mm)
1"	4" (102mm)	5-5/8" (143mm)
1-1/2"	4-1/2" (114mm)	6-1/2" (165mm)
2"	4-3/4" (121mm)	6-3/4" (171mm)



What's in the box

- Flow meter x1
- Clamp (saddle only) x 2
- Pipe Plug (saddle only) x 1
- Batteries x2 (installed)
- Instruction manual



F-2000 Model Number Matrix

RT	S	B	38	M1	GM	1	-							Sample Model Number
----	---	---	----	----	----	---	---	--	--	--	--	--	--	---------------------

Variations

RT = Flow Rate and Totalizing
AO = Analog Output, Flow Rate and Totalizing
PC = Batch Processing, Flow Rate Alarm, Proportional Metering, Flow Rate and Totalizing
AP = Analog Output, Batch Processing, Flow Rate Alarm Proportional Metering, Flow Rate Alarm and Flow Totalizing
FC = Flow Sensor - AC Coil - 200 ft. range
FH = Flow Sensor - Hall Effect - 1 mile range

Display Mounting

S = Meter Mounted on AC Coil Sensor
P = Meter Panel Mounted, AC Coil Sensor, 200 ft. range, includes 25 Ft. of cable
H = Meter Panel Mounted, Hall Effect Sensor, 1 mile Range, includes 25 ft. of cable
X = Sensor only (without Display Meter)

Power

B = Battery Holder with 4 AA cells
1 = U.S. Transformer, AC 115V60Hz/15Vdc, NEMA 5/15 plug
2 = Europe Transformer, AC 230V50Hz/15Vdc, CEE 7/VII plug
3 = U.S. Transformer, AC 230V60Hz/15Vdc, NEMA5/15 plug
X = No Selection (Customer must supply power)

Pipe Sizes M/NPT

Imperial Pipe Sizes	Metric Pipe Sizes
38 = 3/8" IPS	05 = 50mm
50 = 1/2" IPS	06 = 63mm
75 = 3/4" IPS	07 = 75mm
10 = 1" IPS	09 = 90mm
15 = 1-1/2" IPS	11 = 110mm
20 = 2" IPS	16 = 160mm
25 = 2-1/2" IPS	20 = 200mm
30 = 3" IPS	25 = 250mm (PN10 only)
40 = 4" IPS	31 = 315mm (PN10 only)
60 = 6" IPS	
80 = 8" IPS	
100 = 10" IPS	
120 = 12" IPS	

* **Calibration Range**
 Molded In-line fittings - Use last number of fitting #.
 All other fittings - Use Range 1

Cable Feet

Blank = Standard 25 feet
50FT = 50 feet of signal cable
100FT = 100 feet of signal cable

Pipe Fitting

Blank = Standard
P = No pipe fitting*

O-rings

Blank = Standard
E = EPDM

Calibration Range ([Click here for fitting options](#))

1 = Range 1	2 = Range 2	3 = Range 3	4 = Range 4
--------------------	--------------------	--------------------	--------------------

Calibration Units

GM = U.S. Gallons per minute	LH = Liters per hour
GH = U.S. Gallons per hour	LD = Liters per day
GD = U.S. Gallons per day	MH = Cubic Meters per hour
OM = U.S. Ounces per minute	IM = Imperial Gallons per minute
AD = Acre Feet per day	IH = imperial Gallons per hour
LM = Liters per minute	

Saddle Pipe Fitting Type

SADDLE, SCH40 (I.P.S.) PVC or IRON pipe
K4 = 1-1/2", 2", 3" PVDF
A4 = 2-1/2", 4", 6", 8" PVC
A4 = 10", 12" PVC
SADDLE, SCH80 (I.P.S.) PVC pipe
K8 = 1-1/2", 2", 3" PVDF
A8 = 2-1/2", 4", 6", 8" PVC
A8 = 10", 12" PVC
SADDLE, PN10 METRIC (DIN 8062) pipe
K0 = 50mm, 63mm, 90mm PVDF
A0 = 75, 110, 160, 200 PVC
A0 = 250, 315mm PVC
SADDLE, PN16 METRIC (DIN 8062) pipe
K6 = 50mm, 63mm, 90mm PVDF
A6 = 75, 110, 160, and 200, PVC

Inline Pipe Fitting Type

INLINE INJECTION MOLDED PP AMERICAN M/NPT
M1 = Range #1, M2 = Range #2
M3 = Range #3, M4 = Range #4
3/8", 1/2", 3/4", 1" M/NPT polypropylene
1-1/2" M/NPT polypropylene
2" M/NPT polypropylene
INLINE INJECTION MOLDED PP BRITISH M/BSPT
MB1 = Range #1, MB2 = Range #2
MB3 = Range #3, MB4 = Range #4
3/8", 1/2", 3/4", 1" M/BSPT polypropylene
1-1/2" M/BSPT polypropylene
2" M/BSPT polypropylene
INLINE INJECTION MOLDED TEE PVC SLIP/SOCKET
AT = 1", 1-1/2", 2" Female slip glue/weld
3" Female slip glue/weld

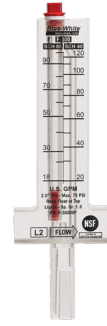
Optional Accessories and Components

- 71000-294 Panel Mount Kit Bracket \$30
- 71000-514 Mounting Conversion Kit, Sensor Mount to Panel Mount.
- 71000-301 Wall Mount Adapter Kit. Cable Not Included.
- 71000-302 Wall or Pipe Mounting Kit (3/8" - 1.5" Pipe). Cable Not Included.
- 71000-303 Wall or Pipe Mounting Kit (2" Pipe). Cable Not Included.
- 71000-304 Wall or Pipe Mounting Kit (3" Pipe). Cable Not Included.
- 71000-305 Wall or Pipe Mounting Kit (4" Pipe). Cable Not Included.
- 71000-306 Wall or Pipe Mounting Kit (6" Pipe). Cable Not Included.
- 71000-307 Wall or Pipe Mounting Kit (8" Pipe). Cable Not Included.
- 71000-414 Wall or Pipe Mounting Kit (10" Pipe). Cable Not Included.
- 71000-415 Wall or Pipe Mounting Kit (12" Pipe). Cable Not Included.
- 71000-322 Battery Back-up Kit

F-300

Variable Area Flow Meter

- > Easy to read dual scale (SCH 40 / SCH 80)
- > Acceptable for outdoor installations
- > Pitot Tube (impact tube) design makes it easy to install on existing pipe
- > One-piece, machined acrylic meter body



Highlights

Flow range

5.0 - 2,200 GPM (SCH 40)
4.0 - 1,950 LPM (SCH 40)

Pressures up to

75 PSI
(5.17 bar)

Max. fluid temp.

190 °F
88 °C

Body material

Acrylic

Pipe sizes

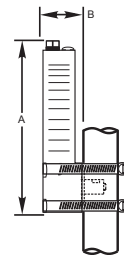
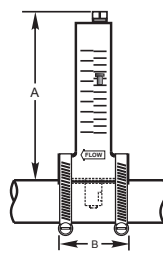
1" to 8"

Warranty

1 Year

Dimensions

Pipe Size	A	B	Pipe Size	A	B
1"	6"	2-7/16"	3"	6"	2-7/16"
1-1/4"	6"	2-7/16"	4"	6"	2-7/16"
1-1/2"	6"	2-7/16"	5"	6"	2-7/16"
2"	6"	2-7/16"	6"	7-1/2"	2-7/16"
2-1/2"	6"	2-7/16"	8"	7-1/2"	2-7/16"



U/D-300 Series

Pipe Size	A	B
1-1/2"	6"	1-9/16"
2"	6"	1-9/16"

What's in the box

- Flow meter x 1
- Rubber Gasket x 1
- Clamp x 2
- Instruction manual



Model Number Matrix

F-300 Model Number

F	Standard Flow Meter (Horizontal Flow) (NSF 50 Listed)
U	Flow Meter (Upwards Flow 1.5" and 2.0" only)
D	Flow Meter (Downwards Flow 1.5" and 2.0" only)

Series

30	F-300 Acrylic Body
-----------	--------------------

GPM Scale SCH 40 / SCH 80

100	1.0" Pipe, 5 - 35 GPM sch 40 (4 - 26 GPM sch 80)
125	1.25" Pipe, 9 - 50 GPM sch 40 (8 - 40 GPM sch 80)
150	1.50" Pipe, 10 - 70 GPM sch 40 (10 - 60 GPM sch 80)
150	UP/DOWN 1.5" Pipe, 10 - 60 GPM sch 40 (10 - 50 GPM sch 80)
200	2.0" Pipe, 20 - 120 GPM sch 40 (18 - 100 GPM sch 80)
200	UP/DOWN 2.0" Pipe, 20 - 110 GPM sch 40 (20 - 100 GPM sch 80)
250	2.5" Pipe, 29 - 150 GPM sch 40 (25 - 130 GPM sch 80)
300	3.0" Pipe, 45 - 240 GPM sch 40 (40 - 205 GPM sch 80)
400	4.0" Pipe, 75 - 420 GPM sch 40 (70 - 375 GPM sch 80)
600	6.0" Pipe, 170 - 1100 GPM sch 40 (160 - 1000 GPM sch 80)
800	8.0" Pipe, 300 - 2200 GPM sch 40 (275 - 1950 GPM sch 80)

F	-	30	100	P	Sample Model Number
----------	----------	-----------	------------	----------	----------------------------

Accessories



1.0"P - 1.25"P ONLY



1.5"P - 4.0"P ONLY

NOTE: Accessories sold separately.

F-300M

Variable Area Flow Meter

- > Easy to read dual scale (PN10 / PN16)
- > Acceptable for outdoor installations
- > Pitot Tube (impact tube) design makes it easy to install on existing pipe
- > One-piece, machined acrylic meter body



Highlights

Flow range

30 - 1,800 LPM (PN10)
30 - 1,600 LPM (PN16)

Pressures up to

75 PSI
(5.2 bar)

Max. fluid temp.

190 °F
88 °C

Body material

Acrylic

Pipe sizes

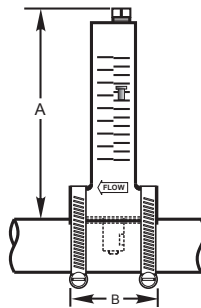
32mm to 110mm

Warranty

1 Year

Dimensions

Pipe Size	A (mm)	B (mm)
32mm	110	62
50mm	110	62
63mm	110	62
75mm	110	62
90mm	110	62
110mm	110	62



What's in the box

Flow meter x 1
Rubber Gasket x 1
Clamp x 2
Instruction manual



Model Number Matrix

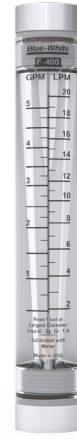
F-300M Model Number

F	Standard Flow Meter (Horizontal Flow)			
Series				
	30	F-300M Acrylic Body		
LPM Scale PN10 / PN16				
	032	32mm Pipe, 30 - 150 LPM PN10 (30 - 130 LPM PN16)		
	050	50mm Pipe, 50 - 350 LPM PN10 (50 - 300 LPM PN16)		
	063	63mm Pipe, 100 - 475 LPM PN10 (75 - 400 LPM PN16)		
	075	75mm Pipe, 150 - 700 LPM PN10 (150 - 600 LPM PN16)		
	090	90mm Pipe, 200 - 850 LPM PN10 (200 - 800 LPM PN16)		
	110	110mm Pipe, 600 - 1800 LPM PN10 (550 - 1600 LPM PN16)		
Pipe Units				
	M	METRIC (DIN 8062)		
F	-	30	032	M
Sample Model Number				

F-400

Variable Area Flow Meter

- > Durable, highly polished, one piece meter body
- > Annealed for added strength and chemical resistance
- > Acceptable in direct sunlight
- > Full scale accuracy +/- 5%
- > 316ss float & guide-wire



Highlights

Flow range

.025 - 5.0 GPM
.1 - 20 LPM

Pressures up to

150 PSI
(10.3 bar)

Max. fluid temp.

150 °F
65 °C

Body

Acrylic

Adapters

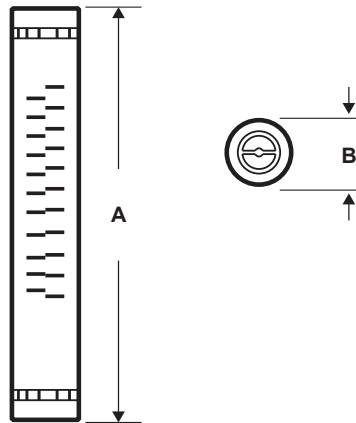
1/4", 3/8" & 1/2" F/NPT

Warranty

1 Year

Dimensions

Dim	Inch	cm
A	8-3/16"	20.8
B	1-1/4"	3.2



What's in the box

Flow meter x1
Instruction manual



Model Number Matrix

F-400 Model Number

F	Flow Meter						
Series							
40	F-400 Acrylic body						
Scale							
050	0.05 - .5 gpm (0.2 - 2.0 lpm) 316ss Float						
250	0.025 - .25 gpm (0.1 - 1.0 lpm) PVDF Float						
375	0.1 - 1.0 gpm (0.4 - 4.0 lpm) PTFE Float						
376	0.2 - 2.0 gpm (1.0 - 7.5 lpm) 316ss Float						
377	0.3 - 3.0 gpm (1.5 - 11 lpm) 316ss Float						
500	0.5 - 5.0 gpm (2.0 - 20 lpm) 316ss Float						
Guide-Wire Material							
LN	316 Stainless steel rod						
Adapter							
4	.250" Female NPT, Polypropylene						
6	.375" Female NPT, Polypropylene						
8	.500" Female NPT, Polypropylene						
O-Rings							
(Blank)	Viton						
-22P	EP						
F	-	40	050	LN	-	4	Sample Model Number

*In-house NIST Calibration, OEM packaging, silicone oil free and bulk packaging options are also available.

F-410

Variable Area Flow Meter

- > Durable, highly polished, one piece meter body
- > Annealed for added strength and chemical resistance
- > Acceptable in direct sunlight
- > Full scale accuracy +/- 5%
- > 316ss float & guide-wire



Highlights

Flow range

1.0 - 20 GPM
4.0 - 80 LPM

Pressures up to

150 PSI
(10.3 bar)

Max. fluid temp.

150 °F
65 °C

Body

Acrylic

Adapters

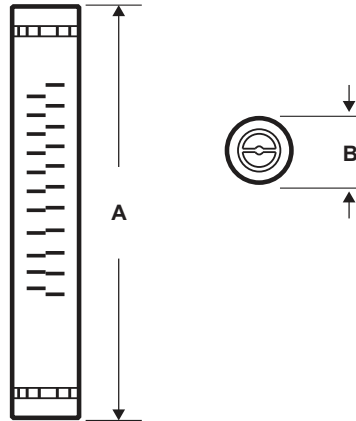
3/4" & 1.0" F/NPT

Warranty

1 Year

Dimensions

Dim	Inch	cm
A	11"	27.9
B	1-3/4"	4.4



What's in the box

Flow meter x1
Instruction manual



Model Number Matrix

F-410 Model Number

F	Flow Meter					
Scale						
	40750	1-10 gpm (4 - 38 lpm) 316SS Float				
	41000	2-20 gpm (8 - 80 lpm) 316SS Float				
Guide-Wire Material						
	LN	316 Stainless steel rod				
Adapter						
	12	.75" Female NPT, Polypropylene				
	16	1.0" Female NPT, Polypropylene				
O-Rings						
	(Blank)	Viton				
	-22P	EP				
F	-	40750	LN	-	12	Sample Model Number

*In-house NIST Calibration, silicone oil free and bulk packaging options are also available.

F-420

Variable Area Flow Meter

- > Durable, highly polished, one piece meter body
- > Annealed for added strength and chemical resistance
- > Acceptable in direct sunlight
- > Full scale accuracy +/- 5%
- > 316ss float & guide-wire



Highlights

Flow range

5.0 - 50 GPM
20 - 200 LPM

Pressures up to

130 PSI
(8.9 bar)

Max. fluid temp.

130 °F
54 °C

Body

Acrylic

Adapters

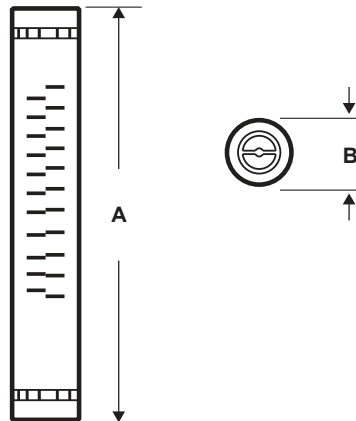
1.0" & 1.5"
(F/NPT & M/NPT)

Warranty

1 Year

Dimensions

Dim	Inch	cm
A	11"	27.9
B	1-3/4"	4.4



What's in the box

Flow meter x1
Instruction manual



Model Number Matrix

F-420 Model Number

F	Flow Meter					
Series						
	420	F-420 Acrylic Body				
Scale						
	25	5-25 gpm (20 - 100 lpm) 316ss float				
	40	8-40 gpm (30 - 150 lpm) 316ss float				
	50	10-50 gpm (40 - 200 lpm) 316ss float				
Guide-Wire Material						
	LN	316 Stainless steel rod				
Adapter						
	(Blank)	1.5" Male NPT, PVC				
	-16	1.0" Female NPT, PVC				
O-Rings						
	(Blank)	Viton				
	-22P	EP				
F	-	420	25	LN		Sample Model Number

*In-house NIST Calibration, OEM packaging and silicone oil free options are also available.

F-430

Variable Area Flow Meter

- > Durable, highly polished, one piece meter body
- > Annealed for added strength and chemical resistance
- > Acceptable in direct sunlight
- > Full scale accuracy +/- 5%
- > 316ss float & guide-wire



Highlights

Flow range

4.0 - 100 GPM
15 - 375 LPM

Pressures up to

130 PSI
(8.9 bar)

Max. fluid temp.

130 °F
54 °C

Body

Acrylic

Adapters

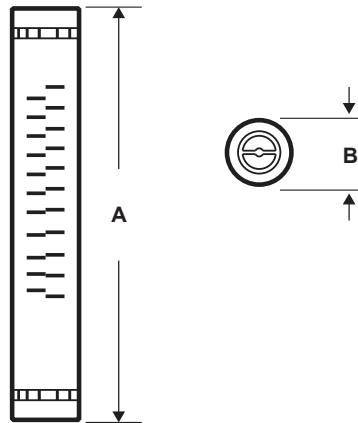
1.5" & 2.0" F/NPT

Warranty

1 Year

Dimensions

Dim	Inch	cm
A	14"	35.6
B	3"	7.6



What's in the box

Flow meter x1
Instruction manual



Model Number Matrix

F-430 Model Number

F	Flow Meter							
Series								
	43	F-430 Acrylic Body						
Scale								
	040	4 - 40 gpm (15 - 150 lpm) 316ss Float						
	060	6 - 60 gpm (20 - 230 lpm) 316ss Float						
	080	8 - 80 gpm (30 - 300 lpm) 316ss Float						
	100	20 - 100 gpm (75 - 375 lpm) 316ss Float						
Guide-Wire Material								
	LNS	316 Stainless steel rod with PVC adapters						
Adapter								
	(Blank)	2.0" Female/NPT						
	-24	1.5" Female/NPT						
O-Rings								
	(Blank)	Viton						
	-E	EP						
F	-	43	040	LNS	-24	(Blank)	-E	Sample Model Number

*In-house NIST Calibration, OEM packaging and silicone oil free options are also available.

F-550

Variable Area Flow Meter



- > Durable, highly polished, one piece meter body
- > Annealed for added strength and chemical resistance
- > Acceptable in direct sunlight
- > Full scale accuracy +/- 5%
- > 316ss float & guide-wire

Highlights

Flow range

.025 - 20 GPM
.1 - 75 LPM

Pressures up to

250 PSI
(17.2 bar)

Max. fluid temp.

200 °F
(93 °C)

Body

Acrylic

Adapters

1/4" - 1.0" M/NPT

Warranty

1 Year

Dimensions

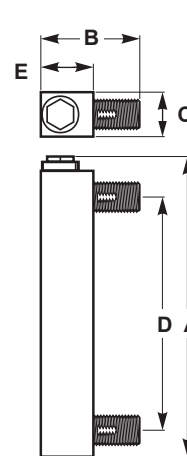
Panel Mount

Pipe Size	A	B	C	D	E	Mount Hole
F-55250L (1/4")	7-1/4"	2-1/2"	1-1/16"	5-5/8"	1-1/4"	9/16"
F-55375L (3/8")	8-3/8"	2-3/4"	1-11/32"	6-1/2"	1-1/2"	11/16"
F-55376L (3/8")	8-3/8"	2-3/4"	1-11/32"	6-1/2"	1-1/2"	11/16"
F-55500L (1/2")	8-3/8"	2-3/4"	1-11/32"	6-1/2"	1-1/2"	7/8"
F-55750L (3/4")	9"	3-3/4"	1-1/2"	6-1/2"	1-3/4"	1-1/16"
F-55005L (1")	10-5/8"	4"	1-3/4"	8"	2"	1-21/64"
F-55010L (1")	10-5/8"	4"	1-3/4"	8"	2"	1-21/64"
F-55015L (1")	10-5/8"	4"	1-3/4"	8"	2"	1-21/64"
F-55200L (1")	10-5/8"	4"	1-3/4"	8"	2"	1-21/64"

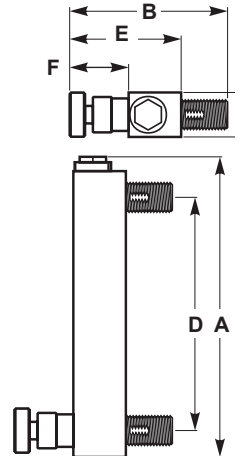
Adjustable Panel Mount

Pipe Size	A	B	C	D	E	F	Mount Hole
F-55250LA (1/4")	7-1/4"	3-7/16"	1"	5-5/8"	2-7/16"	1-11/32"	9/16"
F-55375LA (3/8")	8-3/8"	4-1/2"	1-11/32"	6-1/2"	3-1/4"	1-3/4"	11/16"
F-55376LA (3/8")	8-3/8"	4-1/2"	1-11/32"	6-1/2"	3-1/4"	1-3/4"	11/16"
F-55500LA (1/2")	8-3/8"	4-1/2"	1-11/32"	6-1/2"	3-1/4"	1-3/4"	7/8"
F-55750LA (3/4")	9"	5-1/2"	1-1/2"	6-1/2"	3-1/4"	15/16"	1-1/16"
F-55010LA (1")	10-5/8"	5-1/4"	1-3/4"	8"	3-1/2"	17/16"	1-21/64"
F-55015LA (1")	10-5/8"	5-1/4"	1-3/4"	8"	3-1/2"	17/16"	1-21/64"
F-55200LA (1")	10-5/8"	5-1/4"	1-3/4"	8"	3-1/2"	17/16"	1-21/64"

Non-Adjustable Panel Mount



Adjustable Panel Mount



Model Number Matrix

F-550 Model Number

F	Flow Meter						
Series							
55	F-550 Acrylic Body						
Scale							
250	0.025 - .250 gpm (0.1 - 1.0 lpm) 316 SS Float, 0.25" Male NPT adapter, PP						
375	0.1 - 1.0 gpm (0.4 - 4.0 lpm) 316 SS Float, 0.375" Male NPT adapter, PP						
376	0.2 - 2.0 gpm (0.75 - 7.5 lpm) 316 SS Float, 0.375" Male NPT adapter, PP						
500	0.5 - 5.0 gpm (2.0 - 20 lpm) 316 SS Float, 0.50" Male NPT adapter, PP						
750	1.0 - 10 gpm (4.0 - 40 lpm) 316 SS Float, 0.75" Male NPT adapter, PP						
005	1.0 - 5.0 gpm (3.0 - 18 lpm) PTFE Float, 1.0" Male NPT adapter, PP						
010	1.0 - 10 gpm (4.0 - 40 lpm) 316 SS Float, 1.0" Male NPT adapter, PP						
015	1.0 - 15 gpm (5.0 - 60 lpm) 316 SS Float, 1.0" Male NPT adapter, PP						
200	2 - 20 gpm (7.5 - 75 lpm) 316 SS Float, 1.0" Male NPT adapter, PP						
Guide-Wire Material							
L	316 Stainless steel rod						
Installation							
(Blank)	Panel Mount Model						
A	Adjustable Panel Mount Model (scale 250 - 500 only)						
A	Adjustable Panel Mount Model (scale 750 - 200 only)						
Adapter							
(Blank)	Standard						
-8	0.50" Male NPT adapter (for 375, 376 and 750 models only)						
O-Rings							
(Blank)	Viton						
-22N	EP						
F	-	55	250	L			Sample Model Number

F-440

Variable Area Flow Meter



- > Polysulfone body resists high temperatures and pressures
- > In-line or panel mount configurations available
- > Indoor use only
- > Full scale accuracy +/- 4%
- > 316ss float & guide-wire

Highlights

Flow range

.025 – 10 GPM
0.1 – 37.5 LPM

Pressures up to

175 PSI
(12 bar)

Max. fluid temp.

212 °F
100 °C

Body

Polysulfone

Adapters

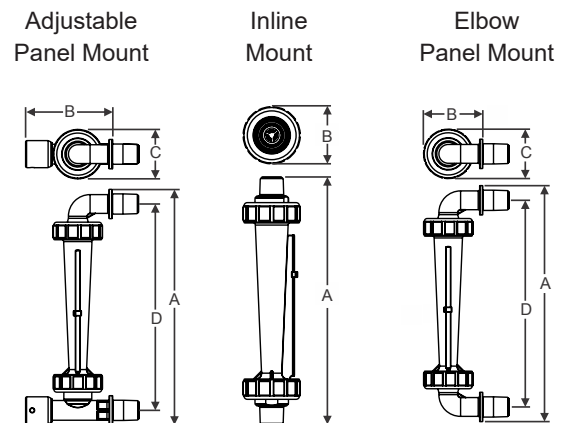
1/4" - 3/4" M/NPT
(Inline & panel mount)

Warranty

1 Year

	Pipe Size	A	B	C	D
Inline	F-44250	6-3/16" 157mm	1-11/16" (43mm)	N/A	N/A
	F-44375				
	F-44376				
	F-44500				
F-44750	7-1/2" (191mm)	2" (51mm)	N/A	N/A	
Elbow	F-44250E	7" (178mm)	3" (76mm)	1-11/16" (43mm)	5-15/16" (151mm)
	F-44375E				
	F-44376E				
	F-44500E				
F-44750E	8-1/8" (206mm)	3" (76mm)	2" (51mm)	6-13/16" (173mm)	
Adjustable	F-44250EA	7" (178mm)	4-1/2" (114mm)	1-11/16" (43mm)	6" (152mm)
	F-44375EA				
	F-44376EA				
	F-44500EA				
F-44750EA	8" (203mm)	4-1/2" (114mm)	2" (51mm)	6-13/16" (173mm)	

Dimensions



MODEL NUMBER MATRIX

F-440 Model Number

F	Flow Meter						
Series							
	44	F-440 Polysulfone Body					
Scale							
	250	0.025 - .250 gpm (0.1 - 1.0 lpm) PVDF Float					
	375	0.1 - 1.0 gpm (0.4 - 4.0 lpm) 316SS Float					
	376	0.2 - 2.0 gpm (0.8 - 8.0 lpm) 316SS Float					
	500	0.5 - 5.0 gpm (1.8 - 18.0 lpm) 316SS Float					
	750	1.0 - 10 gpm (5.0 - 37.5 lpm) 316SS Float					
Guide-Wire Material							
	L	316 Stainless steel rod					
Installation							
	(Blank)	In-Line Model					
	E	Panel Mount Model					
	A	Adjustable Panel					
Adapter				Adapter (For 750)			
	6	.375" Male npt Polysulfone Adapter and Union			8	.50" Male npt Polysulfone Adapter and Union	
	8	.50" Male npt Polysulfone Adapter and Union			12	.75" Male npt Polysulfone Adapter and Union	
O-Rings							
	(Blank)	Viton					
	-22Q	EP					
F	-	44	250	L	-	6	Sample Model Number

*In-house NIST Calibration, OEM packaging and silicone oil free options are also available.

F-450

Variable Area Flow Meter



- > Polysulfone body resists high temperatures and pressures
- > In-line or panel mount configurations available
- > Indoor use only
- > Full scale accuracy +/- 4%
- > 316ss float & guide-wire

Highlights

Flow range

0.1 - 10 GPM
0.4 - 40 LPM

Pressures up to

150 PSI
(10.3 bar)

Max. fluid temp.

150 °F
65 °C

Body

Polysulfone

Adapters

3/8" - 3/4" M/NPT
(Inline & panel mount)

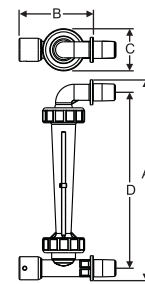
Warranty

1 Year

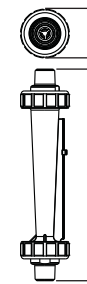
	Pipe Size	A	B	C	D
Inline	F-45375L	8-7/8" (225.5mm)	1-3/4" (44.4mm)	N/A	N/A
	F-45376L				
	F-45500L				
	F-45750L	10" (254mm)	2" (51mm)	N/A	N/A
Elbow	F-45375E	9-7/8" (250.8mm)	3-1/2" (88mm)	2" (51mm)	9-1/8" (233mm)
	F-45376E				
	F-45500E				
	F-45750E	10" (254mm)	3-1/2" (88mm)	2" (51mm)	9-1/8" (233mm)
Adjustable	F-45375A	9-7/8" (250.8mm)	5" (127mm)	2" (51mm)	8-9/16" (217.5mm)
	F-45376A				
	F-45500A				
	F-45750A	10" (254mm)	5" (127mm)	2" (51mm)	9-1/8" (231.8mm)

Dimensions

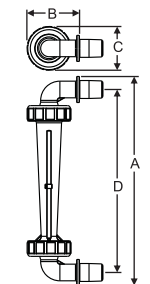
Adjustable Panel Mount



Inline Mount



Elbow Panel Mount



What's in the box

Flow meter x1
Instruction manual



Model Number Matrix

F-450 Model Number

F	Flow Meter						
Series							
	45	F-450 Polysulfone body					
Scale							
	375	0.1 - 1.0 gpm (0.4 - 4.0 lpm) Teflon float					
	376	0.2 - 2.0 gpm (1.0 - 7.5 lpm) 316ss Float					
	500	0.5 - 5.0 gpm (2.0 - 20 lpm) 316ss Float					
	750	1.0 - 10 gpm (4.0 - 40 lpm) 316ss Float					
Guide-wire material							
	L	316 Stainless steel rod					
Installation							
	(Blank)	In-Line model					
	E	Panel mount model (6, 8 and 12 adapter options only)					
	A	Adjustable panel mount model (6, 8 and 12 adapter options only)					
Adapter							
	6	0.375" Female NPT polypropylene adapter & polysulfone union (0.375" Male NPT adapters for panel mount models)					
	8	0.50" Male NPT polysulfone adapter & union (in-line & panel mount models)					
	12	0.75" Male NPT polysulfone adapter & union (in-line & panel mount models)					
O-Rings							
	(Blank)	Viton					
	-22Q	EP					
F	-	45	375	L	-	6	Sample Model Number

*In-house NIST Calibration, OEM packaging and silicone oil free options are also available.

F-451

Variable Area Flow Meter



- > Polysulfone body resists high temperatures and pressures
- > In-line or panel mount configurations available
- > Indoor use only
- > Full Scale Accuracy +/- 3%
- > 316ss float & guide-wire

Highlights

Flow range

0.5 - 40 GPM
2.0 - 155 LPM

Pressures up to

150 PSI
(10.3 bar)

Max. fluid temp.

212 °F
100 °C

Body

Polysulfone

Adapters

1.0" & 1.5" F/NPT
(Inline & panel mount)

Warranty

1 Year

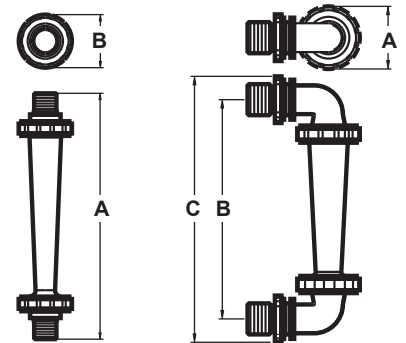
Dimensions

Vertical Inline Models

Dim	Inch	cm
A	14-1/2"	36.83
B	3-5/16"	8.41

Panel Mount Elbow Models

Dim	Inch	cm
A	3-5/16"	8.41
B	15"	38.1
C	17"	43.18



What's in the box

Flow meter x1
Instruction manual



Model Number Matrix

F-451 Model Number

F	Flow Meter					
Series						
	451	F-451 Polysulfone body				
Scale						
	006	0.5 - 6 gpm (2 - 22 lpm) Teflon Float				
	001	1 - 10 gpm (4 - 40 lpm) 316ss Float				
	002	2 - 20 gpm (6 - 76 lpm) 316ss Float				
	003	3 - 30 gpm (12 - 115 lpm) 316ss Float				
	004	4 - 40 gpm (15 - 155 lpm) 316ss Float				
Guide-Wire Material						
	LHN	316 Stainless steel rod				
Special						
	(Blank)	Standard meter				
Adapter						
	(Blank)	1.0" Female NPT, Polysulfone				
	-24	1.5" Female NPT, PVC				
	E	90° Elbow 1.0" Male NPT , Polysulfone				
O-Ring						
	(Blank)	Viton				
	-22R	EP				
F	-	451	006	LHN		Sample Model Number

*In-house NIST Calibration, OEM packaging and silicone oil free options are also available.

Optional Accessories and Components

Polycarbonate Shield Kit KIT-SHS
 (Includes shield and two adapters. Some assembly required.)



F-452

Variable Area Flow Meter

- > Polysulfone body resists high temperatures and pressures
- > In-line or panel mount configurations available
- > Indoor use only
- > Full scale accuracy +/- 2%
- > 316ss float & guide-wire



Highlights

Flow range

2 - 175 GPM
8 - 675 LPM

Pressures up to

150 PSI
(10.3 bar)

Max. fluid temp.

200 °F
93 °C

Body

Polysulfone

Adapters

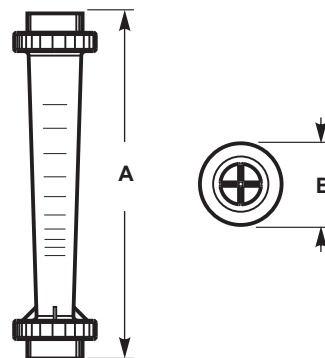
2.0" F/NPT

Warranty

1 Year

Dimensions

Dim	Inch	cm
A	18-7/8"	47.9
B	4-5/8"	11.7



What's in the box

Flow meter x1
Instruction manual



Model Number Matrix

F-452 Model Number

F	Flow Meter					
Series						
	452	F-452 Polysulfone Body				
Scale						
	020	2 - 20 gpm (8 - 78 lpm) Teflon Float				
	060	6 - 60 gpm (30 - 230 lpm) 316ss Float				
	080	8 - 80 gpm (40 - 300 lpm) 316ss Float				
	100	6 - 100 gpm (20 - 380 lpm) 316ss Float				
	130	20 - 130 gpm (80 - 500 lpm) 316ss Float				
	175	25 - 175 gpm (100 - 675 lpm) 316ss Float				
Guide-Wire Material						
	LHN	316 Stainless steel rod				
Special						
	(Blank)	Standard Meter				
Adapter						
	(Blank)	2.0" Female NPT, Polysulfone				
O-Rings						
	(Blank)	Viton				
	-22T	EP				
F	-	452	020	LHN		Sample Model Number

*In-house NIST Calibration, OEM packaging and silicone oil free options are also available.

Optional Accessories and Components

Polycarbonate Shield Kit KIT-SHL
 (Includes shield and two grooved unions. Some assembly required.)



F-460

Variable Area Flow Meter

- > Polysulfone body resists high temperatures and pressures
- > Ultrapure - No metal in fluid path
- > Indoor use only
- > Full scale accuracy +/- 2.5%
- > PTFE float for corrosive applications



Highlights

Flow range

0.1 - 5.0 GPM
0.4 - 20.0 LPM

Pressures up to

150 PSI
(10.3 bar)

Max. fluid temp.

210 °F / 98 °C (PVDF)
130 °F / 54 °C (PVC)

Body

Polysulfone

Adapters

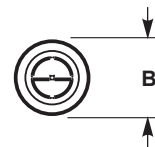
1/2" & 3/4" F/NPT

Warranty

1 Year

Dimensions

Dim	Inch	cm
A	10"	25.4
B	1-3/4"	44.0



What's in the box

Flow meter x1
Instruction manual



Model Number Matrix

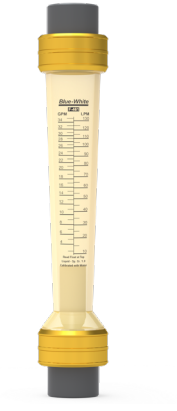
F-460 Model Number

F	Flow Meter						
Series							
	460	F-460 Polysulfone body					
Scale							
	10	0.1 - 1.2 gpm (0.4 - 4.4 lpm) Teflon Float					
	20	0.2 - 2.0 gpm (0.8 - 8.0 lpm) Teflon Float					
	30	0.3 - 3.0 gpm (1.0 - 11 lpm) Teflon Float					
	50	0.5 - 5.0 gpm (2.0 - 20 lpm) Teflon Float					
Union							
	LX	Aluminum union					
	LP	PVC union					
Adapter							
	08P	0.5" Female NPT, PVC					
	08K	0.5" Female NPT, PVDF					
	12P	0.75" Female NPT, PVC					
	12K	0.75" Female NPT, PVDF					
O-Rings							
	(Blank)	Viton					
	-22Q	EP					
F	-	460	10	LX	-	08P	Sample Model Number

*In-house NIST Calibration, OEM packaging and silicone oil free options are also available.

F-461

Variable Area Flow Meter



- > Polysulfone body resists high temperatures and pressures
- > Ultrapure - No metal in fluid path
- > Indoor use only
- > Full scale accuracy +/- 2.5%
- > PTFE float for corrosive applications

Highlights

Flow range

1.0 - 35.0 GPM
4.0 - 130 LPM

Pressures up to

150 PSI
(10.3 bar)

Max. fluid temp.

210 °F / 98 °C (PVDF)
130 °F / 54 °C (PVC)

Body

Polysulfone

Adapters

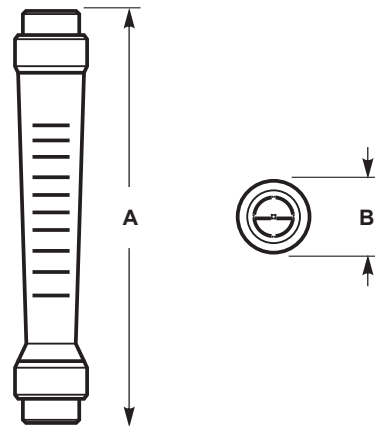
1.0" F/NPT

Warranty

1 Year

Dimensions

Dim	Inch	cm
A	15"	38.1
B	2-3/4"	7.0



What's in the box

Flow meter x1
Instruction manual



Model Number Matrix

F-461 Model Number

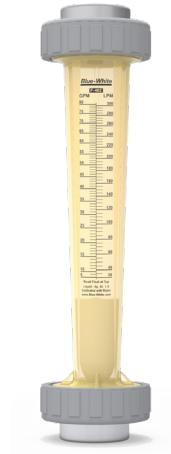
F	Flow Meter						
Series							
	461	F-461 Polysulfone Body					
Scale							
	100	1 - 10 gpm (4 - 40 lpm) Teflon Float					
	200	2 - 20 gpm (5 - 75 lpm) Teflon Float					
	300	3 - 35 gpm (12 - 130 lpm) Teflon Float					
Union							
	LX	Aluminum Union					
	LP	PVC Union					
Adapter							
	16P	1.0" Female NPT, PVC					
	16K	1.0" Female NPT, PVDF					
O-Rings							
	(Blank)	Viton					
	-22R	EP					
F	-	461	100	LX	-	16P	Sample Model Number

*In-house NIST Calibration, OEM packaging, silicone oil free and bulk packaging options are also available.

F-462

Variable Area Flow Meter

- > Polysulfone body resists high temperatures and pressures
- > Ultrapure - No metal in fluid path
- > Indoor use only
- > Full scale accuracy +/- 2.5%
- > PTFE float for corrosive applications



Highlights

Flow range

2.0 - 80 GPM
6 - 300 LPM

Pressures up to

150 PSI
(10.3 bar)

Max. fluid temp.

200 °F
93 °C

Body

Polysulfone

Adapters

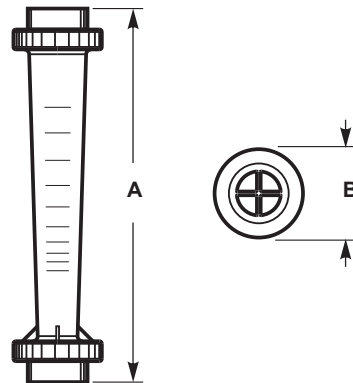
2.0" F/NPT

Warranty

1 Year

Dimensions

Dim	Inch	cm
A	18-7/8"	47.9
B	4-5/8"	11.7



What's in the box

Flow meter x1
Instruction manual



Model Number Matrix

F-462 Model Number

F	Flow Meter						
Series							
	462	F-462 Polysulfone body					
Scale							
	200	2 - 20 gpm, (8 - 80 lpm) Teflon Float					
	500	5 - 50 gpm (20 - 200 lpm) Teflon Float					
	800	8 - 80 gpm (30 - 300 lpm) Teflon Float					
Union							
	LX	Polysulfone Union					
	LP	PVC Union					
Adapter							
	32H	2.0" Female NPT, Polysulfone					
O-Rings							
	(Blank)	Viton					
	-22T	EP					
F	-	462	200	LX	-	32H	Sample Model Number

*In-house NIST Calibration, OEM packaging and silicone oil free options are also available.

Optional Accessories and Components

Polycarbonate Shield Kit KIT-SHL
 (Includes shield and two grooved unions. Some assembly required.)



FLOW METER WARRANTY

LIMITED WARRANTY

Your Blue-White product is a quality product and is warranted for a specific time from date of purchase (proof of purchase is required). The product will be repaired or replaced at our discretion. Failure must have occurred due to defect in material or workmanship and not as a result of operation of the product other than in normal operation as defined in the product manual. Warranty status is determined by the product's serial label and the sales invoice or receipt. The serial label must be on the product and legible. The warranty status of the product will be verified by Blue-White or a factory authorized service center.

Variable Area and Digital Flow meters are warranted for 1 year from date of purchase (proof of purchase is required). The flow meter will be repaired or replaced at our discretion. The MS6 ultrasonic flow meter is warranted for 2 years from date of purchase (proof of purchase is required). The flow meter will be repaired or replaced at our discretion.

WHAT IS NOT COVERED

- Freight to the factory, or service center.
- Products that have been tampered with, or in pieces.
- Damage resulting from misuse, carelessness such as chemical spills on the enclosure, abuse, lack of maintenance, or alteration which is out of our control.
- Damage by faulty wiring, power surges or acts of nature.
- Damage that occurs as a result of: meter misalignment, improper installation, over tightening, use of non-recommended chemicals, use of nonrecommended adhesives or pipe dopes, excessive heat or pressure, or allowing the meter to support the weight of related piping.

BLUE-WHITE does not assume responsibility for any loss, damage, or expense directly or indirectly related to or arising out of the use of its products. Failure must have occurred due to defect in material or workmanship and not as a result of operation of the product other than in normal operation as defined in the manual.

Warranty status is determined by the product's serial label and the sales invoice or receipt. The serial label must be on the product and legible. The warranty status will be verified by Blue-White or a factory authorized service center.

PROCEDURE FOR IN WARRANTY REPAIR

Warranty service must be performed by the factory or an authorized service center. Contact the factory or local repair center to obtain a RMA (Return Material Authorization) number. It is recommended to include foot strainer and injection/check valve fitting since these devices may be clogged and part of the problem. Decontaminate, dry, and carefully pack the product to be repaired. Please enclose a brief description of the problem and proof of purchase. Prepay all shipping and insurance cost. COD shipments will not be accepted. Damage caused by improper packaging is the responsibility of the sender. When In-Warranty repair is completed, the factory pays for return shipping to the dealer or customer.

PRODUCT USE WARNING

Blue-White products are manufactured to meet the highest quality standards in the industry. Each product instruction manual includes a description of the associated product warranty and provides the user with important safety information. Purchasers, installers, and operators of Blue-White products should take the time to inform themselves about the safe operation of these products. In addition, Customers are expected to do their own due diligence regarding which products and materials are best suited for their intended applications. BLUE-WHITE is pleased to assist in this effort but does not guarantee the suitability of any particular product for any specific application as Blue-White does not have the same degree of familiarity with the application that the customer/end user has. While BLUE-WHITE will honor all of its product warranties according to their terms and conditions, Blue-White shall only be obligated to repair or replace its defective parts or products in accordance with the associated product warranties.

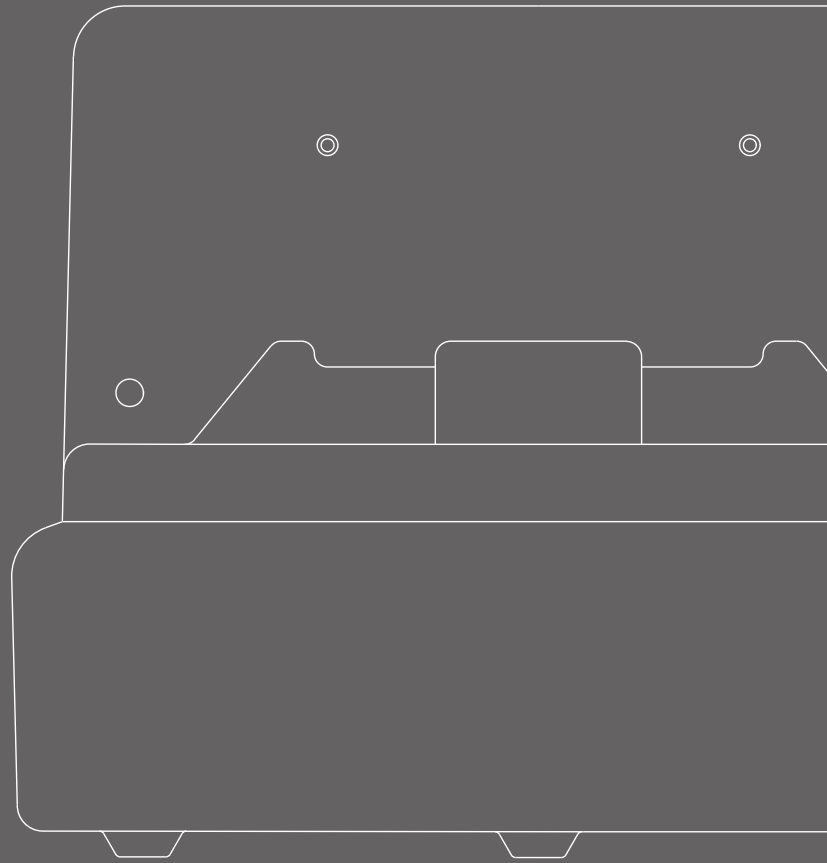
BLUE-WHITE SHALL NOT BE LIABLE EITHER IN TORT OR IN CONTRACT FOR ANY LOSS OR DAMAGE WHETHER DIRECT, INDIRECT, INCIDENTAL, OR CONSEQUENTIAL, ARISING OUT OF OR RELATED TO THE FAILURE OF ANY OF ITS PARTS OR PRODUCTS OR OF THEIR NONSUITABILITY FOR A GIVEN PURPOSE OR APPLICATION.

CHEMICAL RESISTANCE WARNING

BLUE-WHITE offers a wide variety of wetted parts. Purchasers, installers, and operators of Blue-White products must be well informed and aware of the precautions to be taken when injecting or measuring various chemicals, especially those considered to be irritants, contaminants or hazardous. Customers are expected to do their own due diligence regarding which products and materials are best suited for their applications, particularly as it may relate to the potential effects of certain chemicals on Blue-White products and the potential for adverse chemical interactions. Blue-White tests its products with water only. The chemical resistance information included in this instruction manual was supplied to BLUE-WHITE by reputable sources, but Blue-White is not able to vouch for the accuracy or completeness thereof. While BLUE-WHITE will honor all of its product warranties according to their terms and conditions, Blue-White shall only be obligated to repair or replace its defective parts or products in accordance with the associated product warranties.

BLUE-WHITE SHALL NOT BE LIABLE EITHER IN TORT OR IN CONTRACT FOR ANY LOSS OR DAMAGE, WHETHER DIRECT, INDIRECT, INCIDENTAL, OR CONSEQUENTIAL, ARISING OUT OF OR RELATED TO THE USE OF CHEMICALS IN CONNECTION WITH ANY BLUE-WHITE PRODUCTS.

Users of electrical and electronic equipment (EEE) with the WEEE marking per Annex IV of the WEEE Directive must not dispose of end of life EEE as unsorted municipal waste, but use the collection framework available to them for the return, recycle, recovery of WEEE and minimize any potential effects of EEE on the environment and human health due to the presence of hazardous substances. The WEEE marking applies only to countries within the European Union (EU) and Norway. Appliances are labeled in accordance with European Directive 2002/96/EC. Contact your local waste recovery agency for a Designated Collection Facility in your area.



INDUSTRIAL

Tanks and Accessories

Blue-White[®]

STAR III SYSTEM

Metering Pump Tank System



- > Polyethylene tank with U.V. inhibitors for sunlight protection
- > The tank has extra heavy wall thickness for stability
- > All necessary accessories are included
- > Raised off the floor for easy wash down
- > Lid position: open, closed, or vented

Highlights

Tank capacity

7 gallon,
15 gallon, or
30 gallon

Compatibility

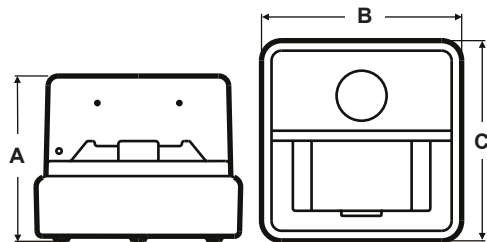
A1, CD1,
A100N

Warranty

1 Year

Dimensions

	7 Gallon Tank	15 Gallon Tank	30 Gallon Tank
PART	KIT-S07	KIT-S15	KIT-S30
A	12" (30 cm)	17.25" (44 cm)	27.50" (69 cm)
B	18.5" (47 cm)	20" (51 cm)	20" (51 cm)
C	18.5" (47 cm)	20" (51 cm)	20" (51 cm)
SHIP WT	24 lb. (11 kg)	32 lb. (15 kg)	38 lb. (18 kg)



What's in the box

- Tank
- One lid (3-way position for open, closed or vented)
- One Foot Valve (71000-351)
- Suction tubing and bulkhead fitting
- Mounting screws
- Pump mounting bracket

CHEMICAL TANK

Tank System

- > Polyethylene single wall tank
- > U.V. inhibitors for sunlight protection
- > The tank has extra heavy wall thickness for stability
- > Includes volume graduation marks



Highlights

Tank capacity

15 gallon,
30 gallon, or
50 gallon

Complete

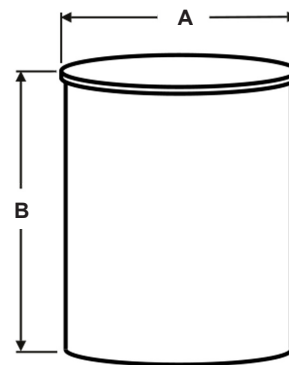
Tanks come with solid,
one-piece lid

Warranty

1 Year

Dimensions

	ST-15	ST-30	ST-50
	15 Gallon Tank	30 Gallon Tank	50 Gallon Tank
A	14.13" (35.8 cm)	18.50" (46.9 cm)	22.50" (57.1 cm)
B	23.63" (60.0 cm)	28.38" (72.0 cm)	33.38" (84.7 cm)
SHIP WT	11 lb. (4.90 kg)	16 lb. (7.30 kg)	23 lb. (10.40 kg)
TANK W/LID	ST-15	ST-30	ST-50



What's in the box

1 Tank
1 Lid

C-1500 STAR TANK

Tank System

- > Includes flow indicator and all necessary accessories
- > Polyethylene tank with U.V. inhibitors for sunlight protection
- > The tank has extra heavy wall thickness for stability
- > Convenient rectangular shape
- > Flooded suction assists in priming
- > Raised off the floor for easy wash down



Note: C-1500 Pump Sold Separately.

Highlights

Tank capacity

7 gallon,
15 gallon, or
30 gallon

Compatibility

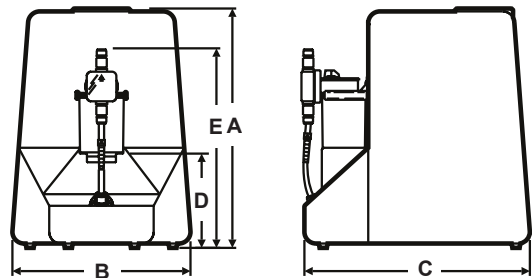
C-1500N

Warranty

1 Year

Dimensions

	STAR-7 7 Gallon Tank	STAR-15 15 Gallon Tank	STAR-30 30 Gallon Tank
A	17.5" (44.5 cm)	22" (56 cm)	27" (69 cm)
B	12" (30.5 cm)	15.5" (38 cm)	20" (51 cm)
C	16" (41 cm)	19.5" (50 cm)	24" (61 cm)
D	7.8" (19.7 cm)	7.8" (19.7 cm)	7.8" (19.7 cm)
E	17" (43 cm)	17" (43 cm)	17" (43 cm)
KIT SHIP WT	19 lb. (9 kg)	28 lb. (13 kg)	36 lb. (16 kg)
TANK ONLY	11 lb. (5 kg)	20 lb. (9 kg)	28 lb. (13 kg)



What's in the box

- One Tank
- One Lid (3-way position for open, closed, or vented)
- Foot Valve
- Flow Indicator and suction tubing
- Bulkhead fitting
- Mounting Hardware

This page intentionally left blank.

PUMP ACCESSORIES

Cat. No.	Part No.	Description
FOOT VALVES AND STRAINERS		
C-340A		Foot Valve for 1/4" ID, 3/8" OD tubing, Aflas, PVDF (No spring)
C-340E		Foot Valve for 1/4" ID, 3/8" OD tubing, EP, PVDF (No spring)
C-342-6		Strainer, for 1/4" ID tubing
C-346		Ceramic Weight (for 3/8" OD tubing)
C-345E		Foot Valve/Bilkhead Fitting for 1/4" tubing, 3/8" OD, EP Seal, PVDF
C-345A		Foot Valve/Bulkhead Fitting for 1/4" tubing, 3/8" OD, FKM/Aflas, PVDF
	71000-825	Suction Strainer, 1/2" Barb, PVDF body
	71000-824	Suction Strainer, 1/2" MNPT, PVDF body
	71010-261	Foot Valve, 1/4" ID x 3/8 OD tube, PVDF Body, FKM O-ring
	71000-575	Foot Valve, 1/2" Barb, PVDF Body, FKM O-ring
	71000-576	Foot Valve, 1/2" Barb, PVDF Body, EP O-ring
	71000-849	Foot Valve, 1/2" MNPT, PVDF Body, FKM O-ring
	71000-850	Foot Valve, 1/2" MNPT, PVDF Body, EP O-ring
	71001-005	Foot Valve, 1/2" MNPT, PVDF Body, FKM O-ring (PTFE Ball)
	71001-106	Foot Valve, 1/4" ID x 3/8 OD tube, PVDF Body, FKM O-ring
	71001-107	Foot Valve, 1/4" ID x 3/8 OD tube, PVDF Body, EP O-ring
INJECTION VALVES for FLEXFLO		
A-014N-6A		Injection Valve, for 3/8" OD Tubing, Aflas/FKM, PP body, 1/2 psi
A-014N-6E		Injection Valve, for 3/8" OD Tubing, EP, PP body, 1/2 psi
A-014NK-6A		Injection Valve, for 3/8" OD Tubing, Aflas/FKM, PVDF body, 1/2 psi
A-014NK-6E		Injection Valve, for 3/8" OD Tubing, EP, PVDF body, 1/2 psi
A-014NK-6A-T		Injection Valve, for 3/8" OD Tubing, Aflas/FKM, PVDF body, 1/2 psi (PTFE Ball)
	71000-770	Injection Valve, 1/2" Barb Tubing, FKM, PVDF body, 2 psi
	71000-377	Injection Valve, 1/2" Barb Tubing, EP, PVDF body, 2 psi
	71000-985	Injection Valve, 1/2" MNPT, FKM, PVDF body, 2 psi (PTFE Ball)
	71000-767	Injection Valve, 1/2" MNPT, FKM, PVDF body, 2 psi
	71000-386	Injection Valve, 1/2" MNPT, EP, PVDF body, 2 psi
INJECTION VALVES for CHEM-FEED		
C-395N-6A		Injection Valve, for 3/8" OD Tubing, Aflas/FKM, PP body, 6 psi
C-395N-6E		Injection Valve, for 3/8" OD Tubing, EP, PP body, 6 psi
C-395NK-6A		Injection Valve, for 3/8" OD Tubing, Aflas/FKM, PVDF body, 6 psi
C-395NK-6E		Injection Valve, for 3/8" OD Tubing, EP, PVDF body, 6 psi
C-395NK-6A-PTFE		Injection Valve, for 3/8" OD Tubing, Aflas/FKM, PVDF body, 6 psi (PTFE Ball)
	71000-579	Injection Valve, 1/2" Barb Tubing, FKM, PVDF body, 6 psi
	71000-580	Injection Valve, 1/2" Barb Tubing, EP, PVDF body, 6 psi
	71000-577	Injection Valve, 1/2" MNPT, FKM, PVDF body, 6 psi
	71000-578	Injection Valve, 1/2" MNPT, EP, PVDF body, 6 psi
	71001-004	Injection Valve, 1/2" MNPT, FKM, PVDF body, 6 psi (PTFE Ball)

Cat. No.	Part No.	Description
T.I. FITTINGS (Threadless Injectors)		
TI40-4V		T.I. for 1/4" OD for 1-1/4", 1-1/2", & 2" pipe
TI40-6V		T.I. for 3/8" OD for 1-1/4", 1-1/2", & 2" pipe
TI48-4V		T.I. for 1/4" OD for 2-1/2" pipe
TI48-6V		T.I. for 3/8" OD for 2-1/2" pipe
TI56-4V		T.I. for 1/4" OD for 3" pipe
TI56-6V		T.I. for 3/8" OD for 3" pipe
TI4V		T.I. for 1/4" OD (no clamp)
TI6V		T.I. for 3/8" OD (no clamp)
FOOT VALVES AND INJECTORS FOR C-600HV PUMPS		
C-3345B		Locknut for C-600HV Bulkhead Fitting
C-3373-10		Foot Strainer, 1/2" OD, C-600HV
C-3393-10		Combination Foot Strainer & Bulkhead, C-600HV series
CHEM-FEED® HEAD-KIT		
C-535K6-6		Complete Pump head kit w/diaphragm for C-600P
CHEM-FEED® PUMPHEAD VALVES		
K-568-6A		Complete 2-Valve Set (2 valves and fittings) FKM/Aflas
K-568-6E		Complete 2-Valve Set (2 valves and fittings) EP
K-568A-4		Bullet cartridge valve insert, FKM/Aflas (4 pieces)
K-568A-10		Bullet cartridge valve insert, FKM/Aflas (10 pieces)
K-568E-4		Bullet cartridge valve insert, EP (4 pieces)
K-568E-10		Bullet cartridge valve insert, EP (10 pieces)
CHEM-FEED® FLOW INDICATORS		
70000-640		CFI Molded, glued to 5 ft., 3/8" tubing for car wash models
70000-838		CFI Molded, glued to 5 ft., 3/8" tubing
70000-618		CFI Molded, glued to 10 ft., 3/8" tubing
70000-700		CFI Molded, glued to 6.75 ft., 3/8" tubing for Star Systems
FI-100-4V		CFI for use with 1/4" OD tubing, glass bobbin
FI-100-6V		CFI for use with 3/8" OD tubing, glass bobbin
FI-100S-6V		CFI for use with 1/4" OD tubing, S.S. bobbin
FI-100K-4V		12 Pack Display Kit of FI-100-4V
FI-100K-6V		12 Pack Display Kit of FI-100-6V
FI-100KS-6V		12 Pack Display Kit of FI-100S-6V

Cat. No.	Part No.	Description
FLOW INDICATORS		
FI-100-8SV		Flow Indicator, Acrylic Body, Ceramic Ball. 1/2" PVC Slip, FKM O-ring
FI-100-8SE		Flow Indicator, Acrylic Body, Ceramic Ball. 1/2" PVC Slip, EP O-ring
FI-100-8MV		Flow Indicator, Acrylic Body, Ceramic Ball. 1/2" MNPT, FKM O-ring
FI-100-8ME		Flow Indicator, Acrylic Body, Ceramic Ball. 1/2" MNPT, EP O-ring
TUBING		
C-334-6		Tubing, Suction, clear PVC 3/8" OD x 5 ft length
C-334-6-10		Tubing, Suction, clear PVC 3/8" OD x 10 ft length
C-334-6-25		Tubing, Suction, clear PVC 3/8" OD x 25 ft length
C-334-6-100		Tubing, Suction, clear PVC 3/8" OD x 100 ft length
	76001-361	Tubing, Suction, clear PVC, 1/2" ID x 3/4" OD, 8 ft length
C-335-6		Tubing, Discharge, polyethylene, 3/8" OD x 5 ft length
C-335-6-10		Tubing, Discharge, polyethylene, 3/8" OD x 10 ft length
C-335-6-25		Tubing, Discharge, polyethylene, 3/8" OD x 25 ft length
C-335-6-100		Tubing, Discharge, polyethylene, 3/8" OD x 100 ft length
	90008-437	Tubing, Discharge, Clear Braided PVC, 1/2" ID x 3/4" OD.
COMPRESSION NUTS and CLAMPS		
C-330-6		PVDF Compression Nut, FNPT Threaded
C-3330		Hose Clamp, 316 SS, Screw Tightened
QUICK DISCONNECT KITS		
KIT-CQA		Quick Disconnect Kit for CD1 Pump, PVDF, Aflas
KIT-CQE		Quick Disconnect Kit for CD1 Pump, PVDF, EP
KIT-QSV		Quick Disconnect Kit for A2, A3 Pumps, 1/4" x 3/8" fitting "S", PVDF, FKM
KIT-QSE		Quick Disconnect Kit for A2, A3 Pumps, 1/4" x 3/8" fitting "S", PVDF, EP
KIT-QSA		Quick Disconnect Kit for A2, A3 Pumps, 1/4" x 3/8" fitting "S", PVDF, Aflas
KIT-QBV		Quick Disconnect Kit for A2, A3, A4 Pumps, 1/2" Hose Barb fitting "B", PVDF, FKM
KIT-QBE		Quick Disconnect Kit for A2, A3, A4 Pumps, 1/2" Hose Barb fitting "B", PVDF, EP
KIT-QBA		Quick Disconnect Kit for A2, A3, A4 Pumps, 1/2" Hose Barb fitting, "B", PVDF, Aflas
KIT-QMV		Quick Disconnect Kit for A2, A3, A4 Pumps, 1/2" MNPT fitting "M", PVDF, FKM
KIT-QME		Quick Disconnect Kit for A2, A3, 4 Pumps, 1/2" MNPT fitting "M", PVDF, EP
KIT-QMA		Quick Disconnect Kit for A2, A3, A4 Pumps, 1/2" MNPT fitting "M", PVDF, Aflas
PUMP SHELF		
KIT-PSM		Wall Mount Bracket, HDPE

Cat. No.	Part No.	Description
POWER CORDS		
	90010-663	Power Cord, 6 ft Detachable, 115V / 60Hz, power cord NEMA 5/15 plug (US)
	90010-711	Power Cord, 6ft Detachable / Lockable, 115V / 60 Hz (A3/A4/A5/CD3 only)
	90010-821	Power Cord, 6ft Detachable / Lockable, 115V / 60 Hz (A1/CD1 only)
	90010-664	Power Cord, 6 ft Detachable, 220V / 50HZ, power cord CEE 7/VII plug (EU)
	90010-665	Power Cord, 6 ft Detachable, 230V / 50HZ, power cord BS 1363/A plug (UK)
	90010-666	Power Cord, 6 ft Detachable, 240V / 50HZ, power cord AS 3112 plug (AU/New Zealand)
	90010-696	Power Cord, 6 ft Detachable, 230V / 60Hz, power cord NEMA 6/15 plug (US)
M12 CABLES		
KIT-M12		M12 Cable Assy, 10 ft, Qty 2
KIT-M12-2-15		M12 Cable Assy, 15 ft, Qty 2
KIT-M12-2-30		M12 Cable Assy, 30 ft, Qty 2
KIT-M12-3		M12 Cable Assy, 10 ft, Qty 3
KIT-M12-3-15		M12 Cable Assy, 15 ft, Qty 3
KIT-M12-3-30		M12 Cable Assy, 30 ft, Qty 3
KIT-M12-6		M12 Cable Assy, 10 ft, Qty 6
KIT-M12-6-15		M12 Cable Assy, 15 ft, Qty 6
KIT-M12-6-30		M12 Cable Assy, 30 ft, Qty 6
OTHER CABLES		
KIT-DP3		Profibus Cable, M12, 3 ft
CABLE-UAC		USB A-C Cable
MISC		
A-050		Silicon Oil, 5ml
CB-1SX		Convertor Box with Six M12 Cables

This page intentionally left blank.

INDUSTRIAL CO₂ Feed System

Blue-White[®]

CO₂ Feed System

- Safe Alternative to Acid Feed for pH Control
- Accurate and Reliable Flowmeter for Precise Feed
- 0-80 scfh float (installed), 30-350 scfh float (included separately)
- Illuminated On/Off Switch
- Stainless Steel Solenoid Valve
- Easy Push Connectors for Tubing Connection



Highlights

CO₂ Flow Ranges

0-80 scfh
30-350 scfh

Flowmeter

Accurate Polysulfone
Blue-White Rotameter

Solenoid Valve

Stainless Steel

Enclosure

Nema 4X

Injector / Eductor

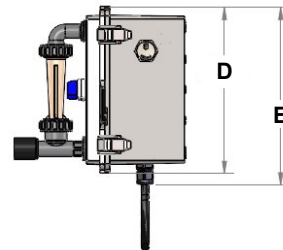
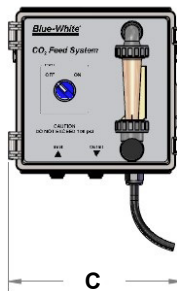
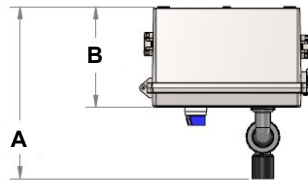
Effective Dissolution

Warranty

1 Year

Dimensions

Dim	Inch	cm
A	8.91"	22.6
B	5.21"	13.2
C	8.94"	22.7
D	8.60"	21.8
E	9.19"	23.3



What's in the box

CO₂ Feed System with 6 ft power cord
 Float for 0-80 scfh (installed), and float for 30-350 scfh (included separately)
 Injector/Diffuser (for use with 0-80 scfh flow)
 Tubing - 10' length (3/8" OD, 1/4" ID)
 Instruction manual



Model Number Matrix

CO2

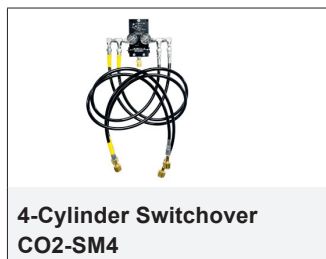
Model Number

CO2	CO ₂ Feed System			
Series Control Options				
X	Manual / Local Control Only			
Power / Operating Voltage / Cord				
2	24VDC			
4	115V / 60Hz, power cord NEMA 5/15 plug (US)			
Options				
X	No option selected			
CO2	X	4	X	Sample Model Number

Accessories



Included with Feed System



CO₂ FEED SYSTEM WARRANTY

LIMITED WARRANTY

Your Blue-White product is a quality product and is warranted for a specific time from date of purchase (proof of purchase is required). The product will be repaired or replaced at our discretion. Failure must have occurred due to defect in material or workmanship and not as a result of operation of the product other than in normal operation as defined in the product manual. Warranty status is determined by the product's serial label and the sales invoice or receipt. The serial label must be on the product and legible. The warranty status of the product will be verified by Blue-White or a factory authorized service center.

CO₂ Feed Systems are warranted for 1 year from date of purchase (proof of purchase is required). The system will be repaired or replaced at our discretion.

WHAT IS NOT COVERED

- Freight to the factory, or service center.
- Products that have been tampered with, or in pieces.
- Damage resulting from misuse, carelessness such as chemical spills on the enclosure, abuse, lack of maintenance, or alteration which is out of our control.
- Damage by faulty wiring, power surges or acts of nature.
- Damage damage that occurs as a result of: meter misalignment, improper installation, over tightening, use of non-recommended chemicals, use of nonrecommended adhesives or pipe dopes, excessive heat or pressure, or allowing the meter to support the weight of related piping.

BLUE-WHITE does not assume responsibility for any loss, damage, or expense directly or indirectly related to or arising out of the use of its products. Failure must have occurred due to defect in material or workmanship and not as a result of operation of the product other than in normal operation as defined in the manual.

Warranty status is determined by the product's serial label and the sales invoice or receipt. The serial label must be on the product and legible. The warranty status will be verified by Blue-White or a factory authorized service center.

PROCEDURE FOR IN WARRANTY REPAIR

Warranty service must be performed by the factory or an authorized service center. Contact the factory or local repair center to obtain a RMA (Return Material Authorization) number. It is recommended to include foot strainer and injection/check valve fitting since these devices may be clogged and part of the problem. Decontaminate, dry, and carefully pack the product to be repaired. Please enclose a brief description of the problem and proof of purchase. Prepay all shipping and insurance cost. COD shipments will not be accepted. Damage caused by improper packaging is the responsibility of the sender. When In-Warranty repair is completed, the factory pays for return shipping to the dealer or customer.

PRODUCT USE WARNING

Blue-White products are manufactured to meet the highest quality standards in the industry. Each product instruction manual includes a description of the associated product warranty and provides the user with important safety information. Purchasers, installers, and operators of Blue-White products should take the time to inform themselves about the safe operation of these products. In addition, Customers are expected to do their own due diligence regarding which products and materials are best suited for their intended applications. BLUE-WHITE is pleased to assist in this effort but does not guarantee the suitability of any particular product for any specific application as Blue-White does not have the same degree of familiarity with the application that the customer/end user has. While BLUE-WHITE will honor all of its product warranties according to their terms and conditions, Blue-White shall only be obligated to repair or replace its defective parts or products in accordance with the associated product warranties.

BLUE-WHITE SHALL NOT BE LIABLE EITHER IN TORT OR IN CONTRACT FOR ANY LOSS OR DAMAGE WHETHER DIRECT, INDIRECT, INCIDENTAL, OR CONSEQUENTIAL, ARISING OUT OF OR RELATED TO THE FAILURE OF ANY OF ITS PARTS OR PRODUCTS OR OF THEIR NONSUITABILITY FOR A GIVEN PURPOSE OR APPLICATION.

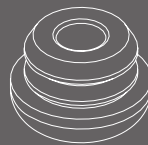
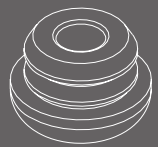
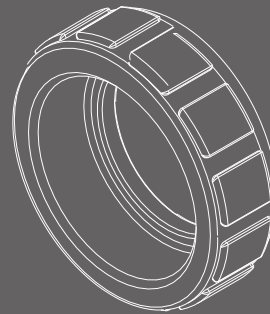
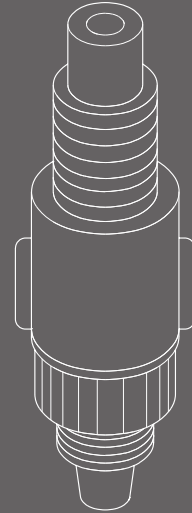
CHEMICAL RESISTANCE WARNING

BLUE-WHITE offers a wide variety of wetted parts. Purchasers, installers, and operators of Blue-White products must be well informed and aware of the precautions to be taken when injecting or measuring various chemicals, especially those considered to be irritants, contaminants or hazardous. Customers are expected to do their own due diligence regarding which products and materials are best suited for their applications, particularly as it may relate to the potential effects of certain chemicals on Blue-White products and the potential for adverse chemical interactions. Blue-White tests its products with water only. The chemical resistance information included in this instruction manual was supplied to BLUE-WHITE by reputable sources, but Blue-White is not able to vouch for the accuracy or completeness thereof. While BLUE-WHITE will honor all of its product warranties according to their terms and conditions, Blue-White shall only be obligated to repair or replace its defective parts or products in accordance with the associated product warranties.

BLUE-WHITE SHALL NOT BE LIABLE EITHER IN TORT OR IN CONTRACT FOR ANY LOSS OR DAMAGE, WHETHER DIRECT, INDIRECT, INCIDENTAL, OR CONSEQUENTIAL, ARISING OUT OF OR RELATED TO THE USE OF CHEMICALS IN CONNECTION WITH ANY BLUE-WHITE PRODUCTS.

Users of electrical and electronic equipment (EEE) with the WEEE marking per Annex IV of the WEEE Directive must not dispose of end of life EEE as unsorted municipal waste, but use the collection framework available to them for the return, recycle, recovery of WEEE and minimize any potential effects of EEE on the environment and human health due to the presence of hazardous substances. The WEEE marking applies only to countries within the European Union (EU) and Norway. Appliances are labeled in accordance with European Directive 2002/96/EC. Contact your local waste recovery agency for a Designated Collection Facility in your area.

INDUSTRIAL Replacement Parts



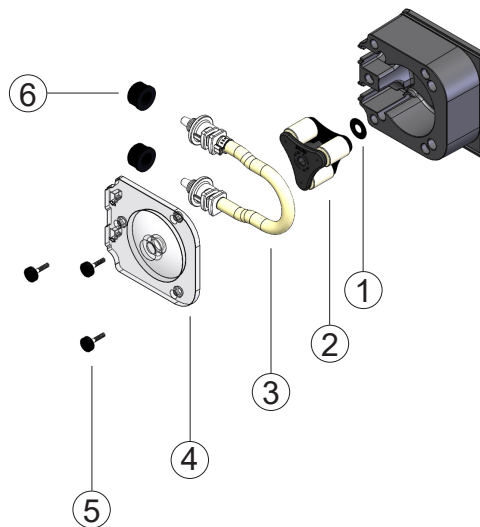
Blue-White[®]

A1 Replacement Parts

Pump Head Components	Part No.	QTY Req'd
1 Spacer, back	90011-014	1
2 Complete Roller Assembly*		1
A1-1T / A1-2T / A1-3T / A1-7T	71000-350	
A1-4T / A1-6T	71000-159	
A1-8T	71000-255	
3 Tubing (Reference Tubing Matrix)		1
4 Pump Head Cover	90002-185	1
5 Thumb screw with 9/64" key drive	90011-160	3
6 Tube nut, compression, for 3/8" tubing**	C-330-6	2
N/S Mounting Bracket	90002-685	1
N/S Bumper Feet	90003-592	4
N/S Cover, Top, Polycarbonate	90002-684	1

*Rollers are specific to tube being used. See next page for complete tube part numbers.

**Tube nuts are used on "T" style inlet/outlet compression fittings.



*Pump Head not for sale. For more information please contact a local sales representative.

FLEXFLO® Model Number

A1	Tubing
Pump Tube Size and Material	
1	Flex-A-Thane® 1/4" OD
2	Flex-A-Thane® 3/8" OD
3	Flex-A-Thane® 7/16" OD
4	Flex-A-Prene® 1/4" OD
6	Flex-A-Prene® 3/8" OD
7	Flex-A-Prene® 7/16" OD
8	Flex-A-Chem® 7/16" OD
Inlet/Outlet Connection Size, Connection Type	
T	3/8" OD x 1/4" Tube Compression Fitting, Natural PVDF (Kynar)
M	1/2" Male NPT Fitting, Natural PVDF (Kynar)
MB	1/2" Male BSPT Fitting, Natural PVDF (Kynar)
A1	-
1	T
Tube Sample Model Number	

Output Specifications

Tube Material / Size	Feed Rate			Max Pressure	Max Temperature
	GPH	LPH	mL/Min	PSI (bar)	°F (°C)
Flex-A-Thane® Tube					
1	Up to 1.09	Up to 4.13	Up to 68.8	65 (4.50)	130 (54)
2	Up to 2.27	Up to 8.63	Up to 143.8	65 (4.50)	130 (54)
3	Up to 5.60	Up to 21.2	Up to 353.3	50 (3.45)	130 (54)
Flex-A-Prene® Tube					
4	Up to .44	Up to 1.68	Up to 28.0	100 (6.89)	185 (85)
6	Up to 1.35	Up to 5.14	Up to 85.2	100 (6.89)	185 (85)
7	Up to 4.17	Up to 15.8	Up to 263.1	50 (3.45)	185 (85)
Flex-A-Chem® Tube					
8	Up to 3.09	Up to 11.7	Up to 195.0	50 (3.45)	130 (54)

A2 Replacement Parts

Pump Head Components		Part No.	QTY Req'd
1	Spacer, Rear	90011-217	1
2	Complete Roller Assembly		1
	ND	A2-SND-R	
	NEE / NGG	A2-SNGG-R	
	TH	A2-STH-R	
	GE / GG / G2G / GH	A2-SGE-R	
3	Tubing (Reference Tubing Matrix)		1
4	Pump Head Cover (includes front spacer)	A2-SXX-C	1
5	Thumb Screws	90011-183	4
6	Tube Nut, Compression 3/8" Tubing*	C-330-6	2
7	Spacer, Front	90011-217	1

*Tube nuts for 'S' type tubing only

Quick Disconnect Fittings*		Part No.	QTY Req'd
8	Quick Disconnect		1
	.50" Barb FKM	KIT-QBV	
	.50" Barb EP	KIT-QBE	
	.50" Barb Aflas	KIT-QBA	
	.50" M/NPT FKM	KIT-QMV	
	.50" M/NPT EP	KIT-QME	
	.50" M/NPT Aflas	KIT-QMA	
	3/8" OD, 1/4" ID Tube Compression, FKM	KIT-QSV	
	3/8" OD, 1/4" ID Tube Compression, EP	KIT-QSE	
	3/8" OD, 1/4" ID Tube Compression, Aflas	KIT-QSA	

*Only available for Q tubes

Miscellaneous Parts*		Part No.	QTY Req'd
A	Stainless Steel Mounting Bracket	72000-379	1
B	Stainless Steel Mounting Bracket (Extended)	72000-380	1
C	Rubber Feet	90003-561	4
D	Tube Installation Tool	90002-278	1

*Sold Separately



A

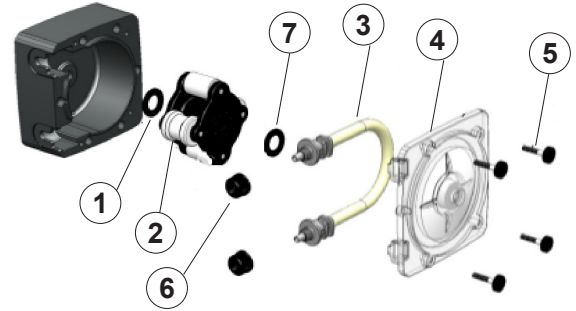
B



C



D



*Pump Head not for sale. For more information please contact a local sales representative.



8

FLEXFLO® Model Number

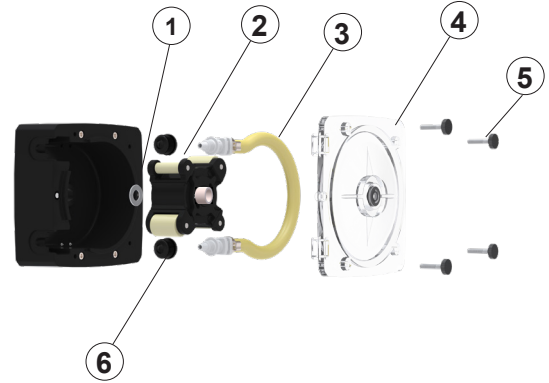
A2	Tubing					
Inlet/Outlet Connection Size, Connection Type, Connection Material						
S	3/8" OD x 1/4" ID Tube Compression Fitting, Natural PVDF (Kynar)					
M	1/2" Male NPT Fitting, Natural PVDF (Kynar)					
B	1/2" Hose Barb, Natural PVDF (Kynar), available for ND, NEE, NGG, and G2G only					
C	1/2" - 3/4" Tri-clamp connections, Natural PVDF (Kynar), available for ND, NEE, NGG, and G2G only					
Q	Quick Disconnect, Natural PVDF (Kynar), available for ND, NEE, NGG, and G2G only (valves sold seperately)					
MB	1/2" Male BSPT Fitting, Natural PVDF (Kynar)					
Pump Tube Material, Pump Tube Size						
GE	Flex-A-Thane® .125 ID	ND	Flex-A-Prene® .075 ID			
GG	Flex-A-Thane® .187 ID	NEE	Flex-A-Prene® .093 ID			
G2G	Flex-A-Thane® .187 ID (dual tube)	NGG	Flex-A-Prene® .187 ID			
GH	Flex-A-Thane® .312 ID	TH	Flex-A-Chem® .250 ID			
A2	-	S	GE	-	T	Tube Sample Model Number

Output Specifications

Tube Material / Size	Feed Rate			Max Pressure	Max Temperature
	GPH	LPH	mL/Min	PSI (bar)	°F (°C)
Flex-A-Thane® Tube					
GE	Up to 4.0	Up to 15.2	Up to 253	65 (4.50)	130 (54)
GG	Up to 9.3	Up to 35.2	Up to 587	65 (4.50)	130 (54)
G2G	Up to 14.98	Up to 56.7	Up to 945	65 (4.50)	130 (54)
GH	Up to 21.23	Up to 80.4	Up to 1340	65 (4.50)	130 (54)
Flex-A-Prene® Tube					
ND	Up to 1.7	Up to 6.5	Up to 108	125 (8.60)	185 (85)
NEE	Up to 4.4	Up to 16.8	Up to 280	110 (7.60)	185 (85)
NGG	Up to 17.2	Up to 65	Up to 1085	110 (7.60)	185 (85)
Flex-A-Chem® Tube					
TH	Up to 14.3	Up to 54	Up to 900	50 (3.45)	130 (54)

A3 Replacement Parts

Pump Head Components	Part No.	QTY Req'd
1 Spacer, Rear	90011-184	1
2 Complete Roller Assembly		1
NGG / NH / NJ / NK / NHL / NEE / TK	A3-SNGG-R	
TH / NKL	A3-STH-R	
ND / NF	A3-SND-R	
GE / GG / GH / GK / G2G	A3-SGE-R	
3 Tubing (Reference Tubing Matrix)		1
4 Pump Head Cover	A3-SXX-C	1
5 Thumb Screws	90011-183	4
6 Tube Nut, Compression, For 3/8" Tubing	C-330-6	2

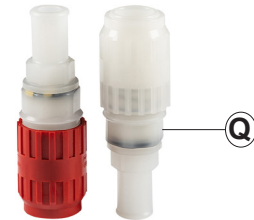
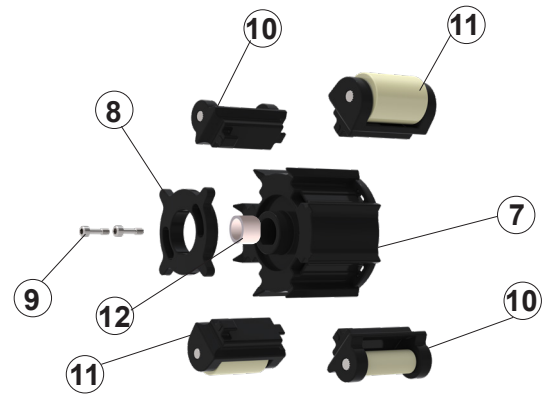


* Pump Head not for sale.
For more information please contact a local sales representative.

Roller Assembly Parts	Part No.	QTY Req'd
7 ROTOR BODY	90002-748*	1
8 SPIDER RING	90002-749*	1
9 10-32 CAPTIVE SCREW	90011-351*	2
ROTOR ASSY (7, 8, 9, and 12)	A3-SXX-RB	1
10 ARM ROLLER GUIDE	71010-960	2
11 ARM ROLLER		
NGG / NH / NJ / NK / NHL / NEE / TK	71010-956	2
TH / NKL	71010-957	2
ND / NF	71010-958	2
GE / GG / GH / GK / G2G	71010-959	2
12 Spacer, Front	76010-177	1

*Only available as part of Rotor Assy A3-SXX-RB

Quick Disconnect Fittings	Part No.	QTY Req'd
Q Quick Disconnect Fittings		1
.50" M/NPT FKM	KIT-QMV	
.50" M/NPT EP	KIT-QME	
.50" M/NPT Aflas	KIT-QMA	
.50" Barb FKM	KIT-QBV	
.50" Barb EP	KIT-QBE	
.50" Barb Aflas	KIT-QBA	
3/8" OD, 1/4" ID Tube Compression, FKM	KIT-QSV	
3/8" OD, 1/4" ID Tube Compression, EP	KIT-QSE	
3/8" OD, 1/4" ID Tube Compression, Aflas	KIT-QSA	



Miscellaneous Parts	Part No.	QTY Req'd
A SS Mounting Bracket (Standard)	72000-379	1
B SS Mounting Bracket (Extended)	72000-380	1
C Rubber Feet	90003-561	4

A

B



C

FLEXFLO® Model Number

A3	Tubing					
Inlet/Outlet Connection Size, Connection Type, Connection Material						
S	3/8" OD x 1/4" ID Tube Compression Fitting, Natural PVDF (Kynar)					
M	1/2" Male NPT Fitting, Natural PVDF (Kynar)					
B	1/2" Hose Barb, Natural PVDF (Kynar), available for ND, NEE, NGG, NKL and G2G only					
C	1/2" - 3/4" Tri-clamp connections, Natural PVDF (Kynar), available for ND, NEE, NGG, NKL and G2G only					
Q	Quick Disconnect, Natural PVDF (Kynar), available for ND, NEE, NGG, NKL, and G2G only (valves sold separately)					
MB	1/2" Male BSPT Fitting, Natural PVDF (Kynar)					
Pump Tube Material, Pump Tube Size, Output Range						
ND	Flex-A-Prene® .075 ID	NKL	Flex-A-Prene® .375 ID	G2G	Flex-A-Thane® .187 ID (dual tube)	
NEE	Flex-A-Prene® .093 ID	GE	Flex-A-Thane® .125 ID	TH	Flex-A-Chem® .250 ID	
NGG	Flex-A-Prene® .187 ID	GG	Flex-A-Thane® .187 ID	TK	Flex-A-Chem® .375 ID	
NHL	Flex-A-Prene® .250 ID	GH	Flex-A-Thane® .312 ID			
NK	Flex-A-Prene® .375 ID	GK	Flex-A-Thane® .375 ID			
A3	-	S	ND	-	T	Sample Model Number

Output Specifications

Tube Material / Size	Feed Rate			Max Speed	Max Pressure	Max Temperature
	GPH	LPH	mL/Min	RPM	PSI (bar)	°F (°C)
Flex-A-Thane® Tube						
GE	Up to 4.60	Up to 17.4	Up to 290	125	65 (4.5)	130 (54)
GG	Up to 10.1	Up to 38.4	Up to 637	125	65 (4.5)	130 (54)
G2G	Up to 18.23	Up to 69.0	Up to 637	125	65 (4.5)	130 (54)
GH	Up to 24.9	Up to 94.2	Up to 1150	125	65 (4.5)	130 (54)
GK	Up to 28.5	Up to 108	Up to 1800	125	65 (4.5)	130 (54)
Flex-A-Prene® Tube						
ND	Up to 2.10	Up to 7.92	Up to 132	125	125 (8.6)	185 (85)
NHL	Up to 17.4	Up to 65.8	Up to 1097	125	65 (4.5)	185 (85)
NK	Up to 33.3	Up to 126	Up to 2100	125	125 (8.6)	185 (85)
NKL	Up to 33.3	Up to 126	Up to 2100	125	30 (2.1)	185 (85)
NEE	Up to 4.76	Up to 18.0	Up to 300	125	110 (7.6)	185 (85)
NGG	Up to 19.0	Up to 72.0	Up to 1200	125	110 (7.6)	185 (85)
Flex-A-Chem® Tube						
TH	Up to 15.1	Up to 57.0	Up to 950	125	50 (3.4)	130 (54)
TK	Up to 28.5	Up to 108	Up to 1800	125	50 (3.4)	130 (54)

A4 Replacement Parts

Pump Head Components		Part No.	QTY Req'd
1	Spacer	90011-217	2
2	Complete Roller Assembly		1
	NL / NP	A4-MNL-R	
	TH / TK / TKK / THH	A4-MTH-R	
	NH / NK / NHH / NHL / NHHL	A4-MNH-R	
	NKL / NKKL	A4-MNKL-R	
	GH / GK / GKK	A4-MGH-R	

3	Tubing (Reference Tubing Matrix)		1
4	Pump Head Cover	A4-SXX-C	1
5	Thumb Screws	90011-183	8
6	Shaft Extension	90007-128	1

Roller Assembly Parts		Part No.	QTY Req'd
7	A4 ROTOR BODY	76010-042*	1
8	SPIDER RING	76002-038*	1
9	10-32 CAPTIVE SCREW	90011-341*	2
	A4 ROTOR ASSY (7,8, and 9)	A4-SXX-RB	1
10	ARM ROLLER GUIDE	71010-771	2
11	ARM ROLLER		
	NL / NP	71010-766	2
	TH / TK / TKL / THH	71010-767	2
	NH / NK / NHH / NHL / NHHL	71010-768	2
	NKL / NKKL	71010-769	2
	GH / GHH / GK /GKK	71010-770	2

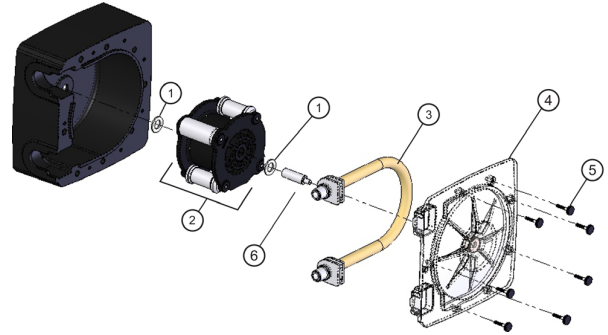
*Only available as part of Rotor Assy A4-SXX-RB

Quick Disconnect Fittings*		Part No.	QTY Req'd
12	Quick Disconnect Fittings		1
	.50" M/NPT FKM	KIT-QMV	
	.50" M/NPT EP	KIT-QME	
	.50" M/NPT Aflas	KIT-QMA	
	.50" Barb FKM	KIT-QBV	
	.50" Barb EP	KIT-QBE	
	.50" Barb Aflas	KIT-QBA	

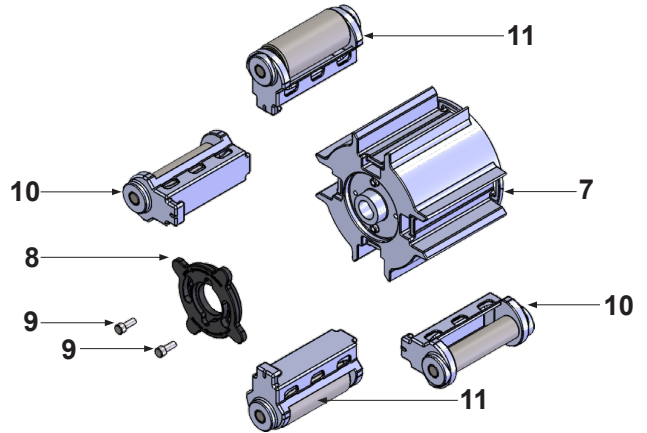
*For use only with "Q" style pump tubes

Miscellaneous Parts*		Part No.	QTY Req'd
A	Stainless Steel Mounting Bracket	72000-379	1
B	Stainless Steel Mounting Bracket (Extended)	72000-380	1
C	Rubber Feet	90003-561	1

*Sold Separately



*Pump Head not for sale. For more information please contact a local sales representative.



12



A



B



C

FLEXFLO® Model Number

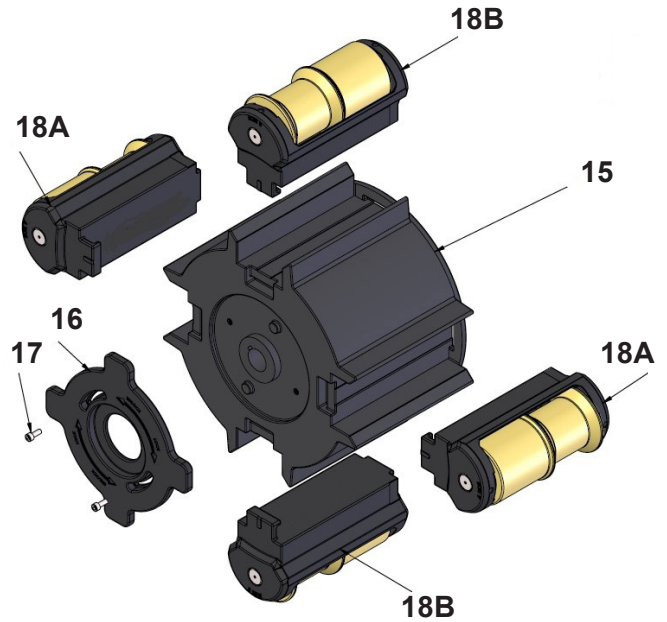
A4	Tubing					
Inlet/Outlet Connection Size, Connection Type, Connection Material						
M	1/2" Male NPT Fitting, Natural PVDF (Kynar)					
B	1/2" ID Tubing Barb Fitting, Natural PVDF (Kynar)					
Q	Quick Disconnect, Natural PVDF (Kynar). NP flow rate reduced 16.5% with Quick Disconnect connections (Valves sold separately)					
C	1/2" - 3/4" Tri-clamp connections, Natural PVDF (Kynar)					
MB	1/2" Male BSPT Fitting, Natural PVDF (Kynar)					
Pump Tube Material, Pump Tube Size						
GH	Flex-A-Thane® .312 ID	NHHL	Flex-A-Prene® .250 ID (Dual Tube)			
GHH	Flex-A-Thane® .312 ID (Dual Tube)	NKK	Flex-A-Prene® .375 ID			
GK	Flex-A-Thane® .375 ID	NL	Flex-A-Prene® .500 ID			
GKK	Flex-A-Thane® .375 ID (Dual Tube)	NP	Flex-A-Prene® .750 ID			
NH	Flex-A-Prene® .250 ID	TH	Flex-A-Chem® .250 ID			
NHL	Flex-A-Prene® .250 ID	TK	Flex-A-Chem® .375 ID			
NHH	Flex-A-Prene® .250 ID (Dual Tube)	TKK	Flex-A-Chem® .375 ID (Dual Tube)			
A4	-	M	NH	-	T	Tube Sample Model Number

Output Specifications

Tube Material / Size	Feed Rate			Max Speed	Max Pressure	Max Temperature
	GPH	LPH	mL/Min	RPM	PSI (bar)	°F (°C)
Flex-A-Thane® Tube						
GH	Up to 39.6	Up to 150	Up to 2500	125	65 (4.5)	130 (54)
GHH	Up to 71.0	Up to 268	Up to 4479	125	65 (4.5)	130 (54)
GK	Up to 55.5	Up to 210	Up to 3500	125	65 (4.5)	130 (54)
GKK	Up to 100	Up to 378	Up to 6300	125	65 (4.5)	130 (54)
Flex-A-Prene® Tube						
NH	Up to 28.5	Up to 108	Up to 1800	125	125 (8.6)	185 (85)
NHL	Up to 28.5	Up to 108	Up to 1800	125	65 (4.5)	185 (85)
NHH	Up to 54.0	Up to 204	Up to 3400	125	100 (6.9)	185 (85)
NHHL	Up to 54.0	Up to 204	Up to 3400	125	65 (4.5)	185 (85)
NK	Up to 50.7	Up to 192	Up to 3200	125	80 (5.5)	185 (85)
NL	Up to 100	Up to 378	Up to 6300	125	50 (3.4)	185 (85)
NP	Up to 158.5	Up to 600	Up to 10000	125	30 (2.1)	185 (85)
Flex-A-Chem® Tube						
TH	Up to 25.4	Up to 96	Up to 1603	125	30 (2.1)	130 (54)
TK	Up to 54.0	Up to 204	Up to 3400	125	30 (2.1)	130 (54)
TKK	Up to 126	Up to 477	Up to 8000	125	30 (2.1)	130 (54)

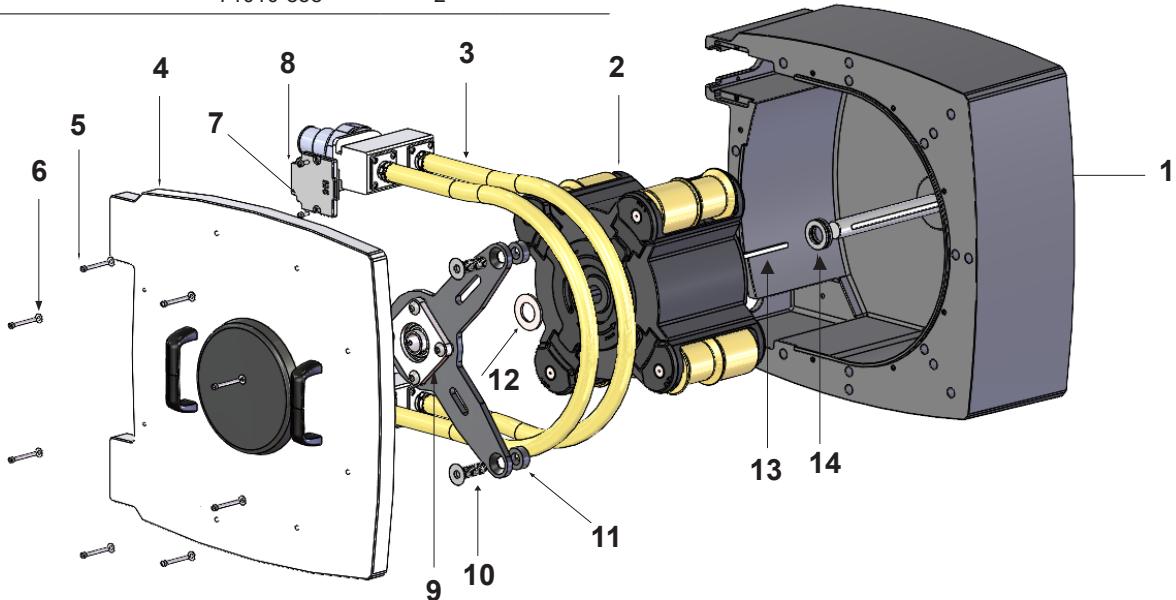
A5 Replacement Parts

Pump Head Components		Part No.	QTY Req'd	Price Per
1	Pump Head	Contact Factory	1	N/A
2	Complete Roller Assembly		1	
	NPP	A5-MNPP-R		
	NLL	A5-MNLL-R		
	NHHL	A5-MNHHL-R		
	GKK	A5-MGKK-R		
3	Tubing (Reference Tubing Matrix)		1	
4	Pump Head Cover	A5-SXX-C	1	
5	Screw, Cover	90011-149	8	
6	Washer, Cover	90011-094	8	
7	Tube Adapter Cover	76002-102	2	
8	Screw	90011-150	2	
9	"V" Bracket Bearing Assy	71010-947	1	
10	Screw, "V" Bracket	90011-303	2	
11	Spacer, "V" Bracket	90007-686	2	
12	Washer	90011-320	1	
13	Key Motor	76010-101	1	
14	Washer	90004-027	1	



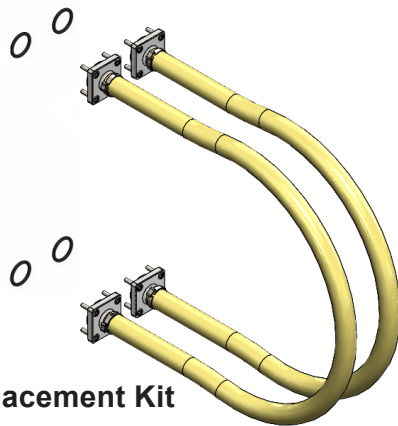
Roller Body Assembly

Roller Assembly Parts		Part No.	QTY Req'd	Price Per
15	A5 ROTOR BODY	76010-061	1	
16	SPIDER RING	76002-077	1	
17	SPIDER SCREW	90011-341	2	
18	ARM ROLLER			
	NPP Side A	71010-853	2	
	NPP Side B	71010-854	2	
	NLL Side A	71010-859	2	
	NLL Side B	71010-860	2	
	NHHL Side A	71010-855	2	
	NHHL Side B	71010-856	2	
	GKK Side A	71010-857	2	
	GKK Side B	71010-858	2	

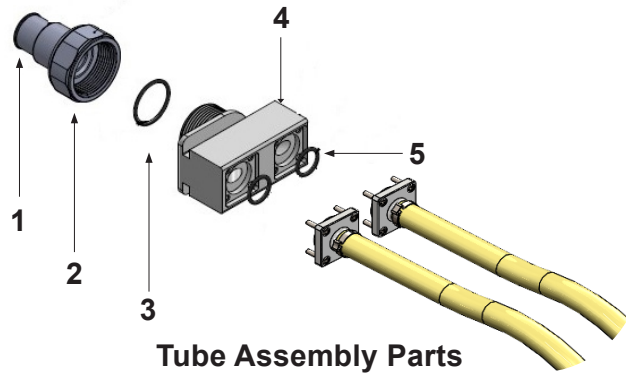


FLEXFLO® Model Number

A5	Tubing						
Inlet/Outlet Connection Size, Connection Type, Connection Material							
M	1.5" Male NPT Fitting, Polypropylene						
B	1.5" ID Tubing Barb Fitting, Polypropylene						
Pump Tube Material, Pump Tube Size							
NPP	Flex-A-Prene® .750 ID (Dual Tube)						
NLL	Flex-A-Prene® .500 ID (Dual Tube)						
NHHL	Flex-A-Prene® .250 ID (Dual Tube)						
GKK	Flex-A-Thane® .375 ID (Dual Tube)						
O-Ring Options							
V	Aflas						
E	EPDM						
A5	-	M	NPP	-	T	V	Tube Sample Model Number (Complete tube assembly with tubes, adapter body, and fittings.)



Tube Replacement Kit



Tube Assembly Parts

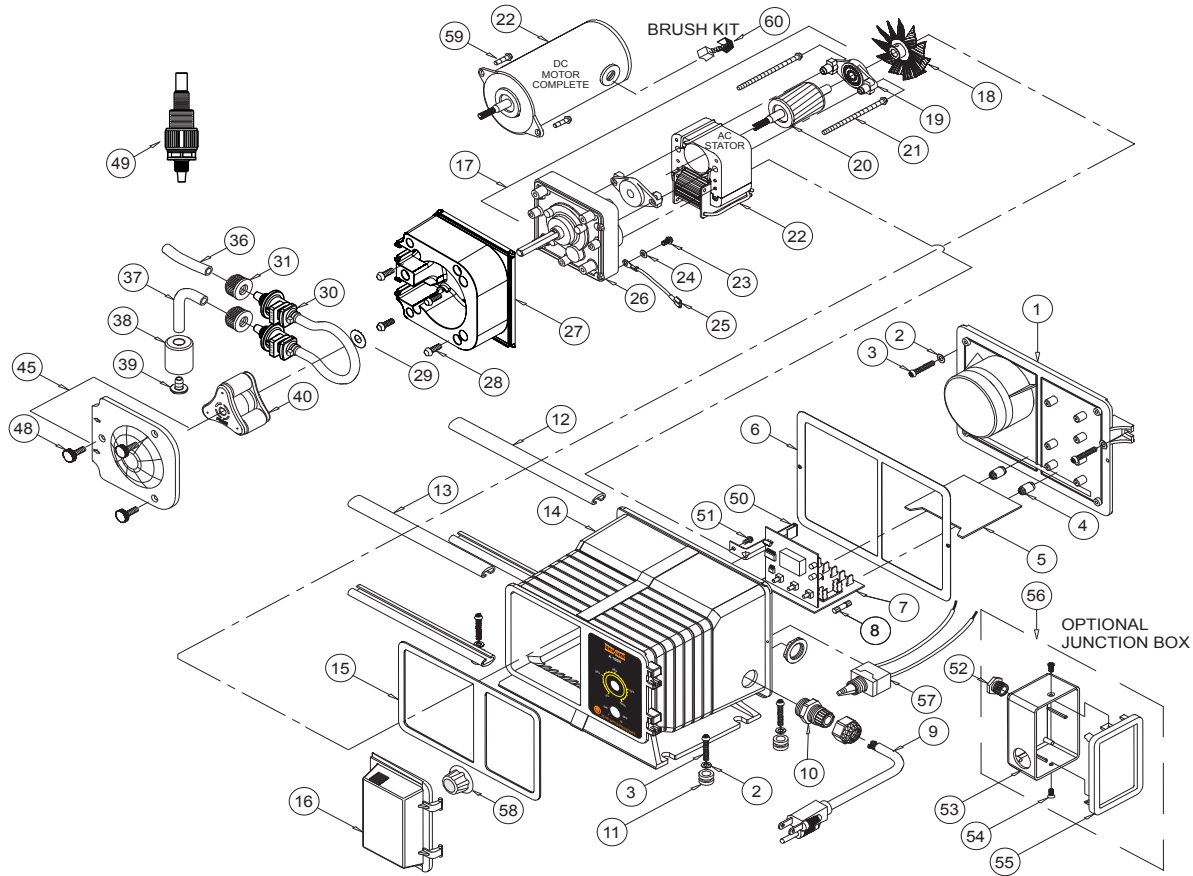
Tube Replacement Kits (includes 2 assembled tubes with clamps and barbs, O-rings, and screws.)

A5-XNPP-TV	NPP Tubes, Aflas O-Rings
A5-XNPP-TE	NPP Tubes, EP O-Rings
A5-XNLL-TV	NLL Tubes, Aflas O-Rings
A5-XNLL-TE	NLL Tubes, EP O-Rings
A5-XNHHL-TV	NHHL Tubes, Aflas O-Rings
A5-XNHHL-TE	NHHL Tubes, EP O-Rings
A5-XGKK-TV	GKK Tubes, Aflas O-Rings
A5-XGKK-TE	GKK Tubes, EP O-Rings

Tube Assembly Parts

1	76010-064	1.5" M/NPT Fitting (2 req.)
	76010-065	1.5" Barb Fitting (2 req.)
2	76010-066	5 Series Union Nut (2 req.)
3	90003-640	O-Ring, Aflas (2 req.)
	90003-641	O-Ring, EP (2 req.)
4	76010-067	Adapter Body (2 req.)
5	90003-642	O-Ring, Aflas (4 req.)
	90003-645	O-Ring, EP (4 req.)

A-100N Replacement Parts



Item	Part No.	Product Name	Qty. Req.
1	71000-214	Enclosure Back With Gasket,	1
2	90011-094	Washer, #10 Stainless	2
3	90011-091	Screw, #10 X 1.0" Phillips Steel	4
6	90006-580	Gasket, Back Plate, Neoprene	1
7	A-023N-B	Percent timer (60 Sec), A-100NA	1
	A-023N-H	Percent timer (5 Sec), A-100NC	1
	C-1817N-1	Speed Cntrl, A-100NF, 115V60	1
	C-1817N-4	Speed Cntrl, A-100NF, 220V50	1
	C-1817N-5	Speed Cntrl, A-100NF, 230V60	1
N/S	90010-036	Wire Nut, Blue	4
N/S	90010-037	Wire Nut, Orange	1
N/S	76001-030	Lead Wire, Blu/white, 115v	1
N/S	76001-031	Lead Wire, Red/white, 230v	1
N/S	76001-032	Lead Wire, Brn/white, 220v	1
N/S	76001-033	Lead Wire, Yellow, 220v	1
N/S	76001-034	Lead Wire, Black, 115v	1

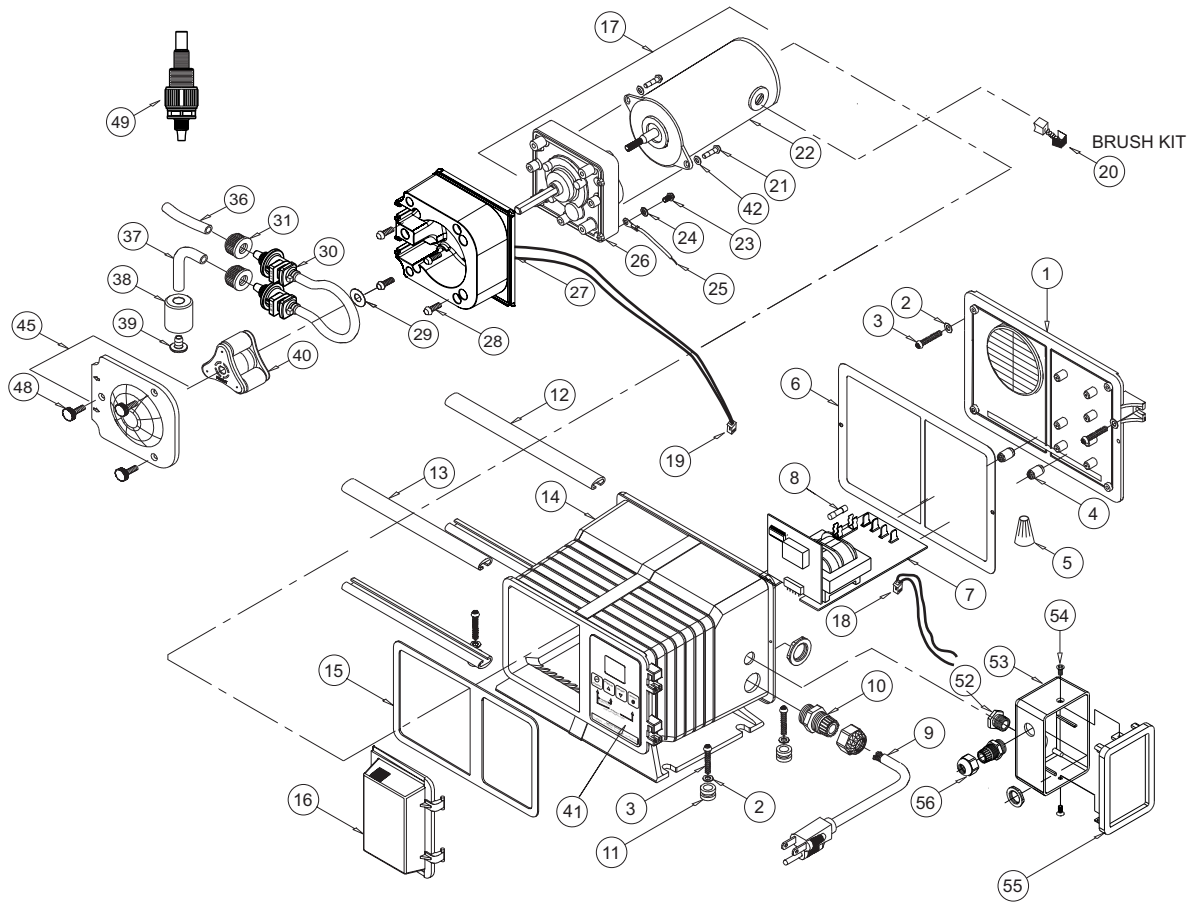
Item	Part No.	Product Name	Qty. Req.
9	90010-110	Power Cord, 115v60hz,	1
	90010-196	Power Cord, 220v50hz,	1
	90010-133	Power Cord, 230v60hz,	1
10	A-033N	Cord Inlet Bushing	1
11	90003-559	Mounting Feet, Rubber	4
12	76001-000	Slide Clamp, Enclosure Rear	1
13	76000-999	Slide Clamp, Enclosure Front	1
14	71000-187	Enclosure Model C,F w/cord	1
	71000-188	Enclosure Model X w/cord	1
	71000-494	Enclosure Model V w/J-Box	1
15	90006-579	Gasket, Enclosure Front, Neoprene	1
16	90002-191	Door, Electronic Controls Cover	1
17	70002-146	Gearmotor, 14 Rpm, 115v60hz	1
	70002-147	Gearmotor, 30 Rpm, 115v60hz	1

A-100N Replacement Parts

Item	Part No.	Product Name	Qty. Req.
	70002-156	Gearmotor, 45 Rpm, 115v60hz	1
	70002-159	Gearmotor, 60 Rpm, 115v60hz	1
	70002-148	Gearmotor, 14 Rpm, 220v50hz	1
	70002-149	Gearmotor, 30 Rpm, 220v50hz	1
	70002-157	Gearmotor, 45 Rpm, 220v50hz	1
	70002-160	Gearmotor, 60 Rpm, 220v50hz	1
	70002-150	Gearmotor, 14 Rpm, 230v60hz	1
	70002-151	Gearmotor, 30 Rpm, 230v60hz	1
	70002-158	Gearmotor, 45 Rpm, 230v60hz	1
	70002-161	Gearmotor, 60 Rpm, 230v60hz	1
	70002-241	G/motor, V/S 14Rpm, 90VDC	1
	70002-242	G/motor, V/S 30Rpm, 90VDC	1
	70002-243	G/motor, V/S 45Rpm, 90VDC	1
	70002-244	G/motor, V/S 60Rpm, 90VDC	1
18	90006-581	Fan, Motor, 2.25" Diameter	1
19	C-612PB	Bearing Bracket With Bearing	2
20	C-616PN	Rotor 14, 30RPM With Spacers	1
	C-616PN-32	Rotor 45, 60RPM With Spacers	1
21	C-625	Screw, Motor, 14, 30RPM Phil	2
	C-621-32	Screw, Motor, 45, 60RPM Phil	2
22	71000-211	Stator 14/30RPM, 115v Blu/Yel	1
	71000-213	Stator 14/30RPM, 220v Brnt/yel	1
	71000-212	Stator 14/30RPM, 230v Red/Yel	1
	71000-466	Stator 45/60RPM, 115v Blut/Yel	1
	71000-467	Stator 45/60RPM, 220v Brn/yel	1
	71000-468	Stator 45/60RPM, 230v Red/Yel	1
	90010-242	Motor, 90V DC, model "F"	1
24	90011-078	Washer, Ground Screw, #8 Star	1
25	90010-126	Wire, ground, Green	1
26	A-008-1	Gearbox, 14 Rpm	1
	A-008-2	Gearbox, 30 Rpm	1
	A-008-3	Gearbox, 45 Rpm	1
	A-008-4	Gearbox, 60 Rpm	1
27	76001-009	Pumphead, no TFD sensors	1
	71000-488	Pumphead, w/TFD sensors	1

Item	Part No.	Product Name	Qty. Req.
28	C-324N Screw	P/head, 10-32 X .50	4
29	A-031	Spacer, Rotor	1
30	A1-4T	Tube, A-100N S/A -4T Norprene	1
	A1-6T	Tube, A-100N S/A -6T Norprene	1
	A1-7T	Tube, A-100N S/A -7T Norprene	1
	A1-8T	Tube, A-100N S/A -8T Norp-Chem	1
	A1-1T	Tube, A-100N S/A -1T Tygothane	1
	A1-2T	Tube, A-100N S/A -2T Tygothane	1
	A1-3T	Tube, A-100N S/A -3T Tygothane	1
31	C-330-6	Nut, Tube, .37 O.D. Tubing	1
36	C-335-6	Tubing, Outlet, .37 O.D.X5ft, Poly	1
37	C-334-6	Tubing, Inlet, .37 O.D.X5ft, Pvc	1
38	C-346	Weight, Inlet Tubing, Ceramic	1
39	C-342-6	Strainer, Inlet Tube, Polypro	1
40	71000-159	Roller, -4, -6 tubes (white rollers)	1
	71000-255	Roller, -5 Viton tube	1
	71000-350	Roller, -1, -2, -3, -7 tubes (black rollers)	1
45	A1-SXX-C	Cover, P/head With Bearing	1
48	90011-160	Screw, P/head Cover, 8-32 X .62	3
49	A-014N-6A	Inj Valve, .5-.25 Mpt X .37 O.D.	1
50	90006-583	Motor Clip, 14, 30RPM	1
	90006-601	Motor Clip, 45, 60RPM	1
51	90011-146	Screw, Motor Clip, 8-32 X .25	1
52	90007-515	Bushing, J-Box Connector, Alum.	1
53	76001-029	Junction Box, Valox	1
54	90011-129	Screw, 6-32 X .25 S Black	2
55	71000-133	Cover, J-Box w/Gasket & Label	1
56	70000-656	J-Box Assembly, Complete	1
N/S	90008-151	J-box Hole Plug .75 Dia Blk	1
57	A-022	Power Switch	1
N/S	A-030	Push button prime switch	1
58	A-032N	Knob, adjustment	1
59	90011-023	Screw, Motor, 8-32 x .50 Phill	2
60	C-1814N-2	Motor brush set, 90VDC motor	1

A-100NV Replacement Parts

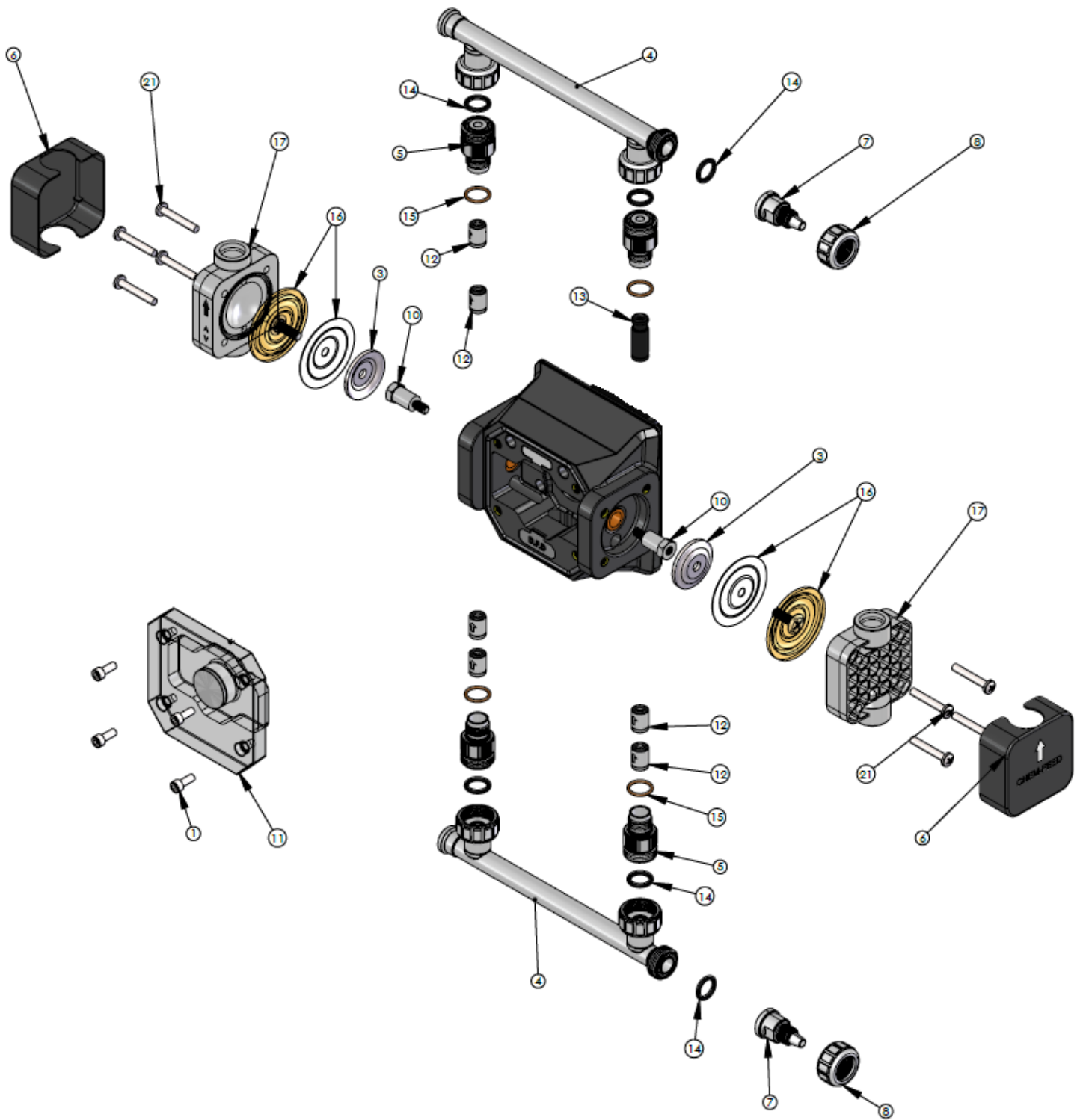


A-100NV Replacement Parts

Item	Part No.	Product Name	Qty. Req.
1	71000-489	Enclosure Back Plate With Gasket, Valox	1
2	90011-094	Washer, Mounting, #10 Stainless	2
3	90011-091	Mounting Screw, #10 X 1.0" Phillips Steel	4
4	76001-001	Tubing Spacer A-100N digital	2
5	90010-036	Wire Nut, Blue	1
6	90006-580	Gasket, Enclosure Back Plate	1
7	A-023N-V-115	Circuit board A-100NV 115V	1
	A-023N-V-230	Circuit board A-100NV 220V/230V	1
8	90010-235	Fuse, A-100NV Circuit Board, 1A 250VAC	1
9	71000-175	Power Cord, 115v60hz, Digital Models	1
	71000-176	Power Cord, 220v50hz, Digital Models	1
	71000-177	Power Cord, 230v60hz, Digital Models	1
10	70000-589	Cord Inlet Bushing	1
11	90003-559	Mounting Feet, Rubber	4
12	76001-000	Slide Clamp, Enclosure Rear	1
13	76000-999	Slide Clamp, Enclosure Front	1
14	76001-253	Enclosure A-100NV	1
15	90006-579	Gasket, Enclosure Front	1
16	90002-191	Door, Electronic Controls Cover	1
17	70002-250	Gearmotor, 14 Rpm, 24V DC	1
	70002-251	Gearmotor, 30 Rpm, 24V DC	1
	70002-252	Gearmotor, 45 Rpm, 24V DC	1
	70002-253	Gearmotor, 60 Rpm, 24V DC	1
	70002-254	Gearmotor, 125 Rpm, 24V DC	1
18	90010-246	Wire set w/plug, Alarm relay	1
19	90010-245	Wire set w/plug, TFD sensor	1
N/S	90010-247	Wire set w/plug, input signals	1
20	C-1814N-4	Motor Brush kit (2 ea), 24V DC	1
21	90011-023	Screw, Motor, 8-32 x .50	2
22	90010-244	Motor, 24V DC	1
23	90011-024	Screw, Green Ground, 8-32 x .25	1
24	90011-078	Washer, Ground Screw, #8 Star	1
25	90010-222	Wire, Motor ground, Digital Timers, Green	1

Item	Part No.	Product Name	Qty. Req.
26	A-008-1	Gearbox, 14 Rpm	1
	A-008-2	Gearbox, 30 Rpm	1
	A-008-3	Gearbox, 45 Rpm	1
	A-008-4	Gearbox, 60 Rpm	1
	A-008-5	Gearbox, 125 Rpm	1
27	71000-488	Pumphead, A-100N w/TFD sensors	1
28	C-324N	Screw, Pumphead, 10-32 X .50 Phil Pan Black	4
29	A-031	Spacer, Rotor	1
30	A1-4T	Tube, A-100N S/A -4T Flex-A-Prene®	1
	A1-6T	Tube, A-100N S/A -6T Flex-A-Prene®	1
	A1-7T	Tube, A-100N S/A -7T Flex-A-Prene®	1
	A1-8T	Tube, A-100N S/A -8T Flex-A-Chem®	1
	A1-1T	Tube, A-100N S/A -1T Flex-A-Thane®	1
	A1-2T	Tube, A-100N S/A -2T Flex-A-Thane®	1
	A1-3T	Tube, A-100N S/A -3T Flex-A-Thane®	1
31	C-330-6	Nut, Tube Compression Type, .37 O.D. Tubing	2
36	C-335-6	Tubing, Outlet, .37 O.D. X 5ft, Polyethylene	1
37	C-334-6	Tubing, Inlet, .37 O.D. X 5ft, Clear PVC	1
38	C-346	Weight, Inlet Tubing, Ceramic	1
39	C-342-6	Strainer, Inlet Tube, Polypropylene	1
40	71000-159	Roller Assembly -4, -6 tubes	1
	71000-350	Roller Assembly -1, -2, -3, -7 tubes	1
41	90012-245	Label, A-100NV front panel controls	1
42	90011-074	Washer, #8 splitlock	2
45	A1-SXX-C	Cover, Pumphead With Sleeve Bearing	1
48	90011-160	Screw, Pumphead Cover, 8-32 X .62 Cap	3
49	A-014N-6A	InjValve Assy, .5-.25 MPT X .37 OD Tube	1
52	90007-515	Bushing, Junction Box Connector, Alum.	1
53	76001-254	Junction Box A-100NV	1
54	90011-129	Screw, Cover, 6-32 X .25 Phil Pan SS Black	2
55	71000-133	Cover, Junction Box with Gasket and Label	1
56	90008-199	Connector Liquid-tight	1

CD1 Replacement Parts



CD1 Replacement Parts

Item	Part No.	Product Name	Qty. Req.
1	90011-150	Screw 10-32 x .50 SOC Cap SS	4
3	90006-600	Back-Up Washer HD .100" Thick	2
4	71010-730	Manifold, PVDF	2
5	90002-707	Adapter Cart	4
6	70004-539	P/Head Cover CHEM-FEED®	2
7		Adapters	2 ----->
8	90002-712	Nut, Union, PVDF	2
10	90018-087	Standoff Threaded	2
11	71010-837	Cover, Front	1

Item	Part No.	Product Name	Qty. Req.
12	71010-926	Cartridge Bullet, PVDF, Aflas O-rings	6
	71010-928	Cartridge Bullet, PVDF, EP O-rings	6
13	71010-944	Cartridge Bullet De-Gas, PVDF, Aflas	1
	71010-945	Cartridge Bullet De-Gas, PVDF, EP	1
14	90003-581	O-Ring, Aflas	6
	90003-633	O-Ring, EP	6
15	90003-014	O-Ring, Aflas	4
	90003-600	O-Ring, EP	4
16	KIT-CDV**	Diaphragm PVDF	1
	KIT-CDE**	Diaphragm Flex-A-Prene®	1
17	70004-096	Pump/HD HDN LG PVDF V Stamp	2
	70004-097	Pump/HD HDN LG PVDF E Stamp	2
21	90011-141	Screw 10-32 X 1.25 Pan Phil SS	8
N/S	C-330-6	Tube Nut, 1/4" x 3/8"	2
N/S	KIT-DVA1*	Cart. Valve Kit, De-Gas, Aflas	1
	KIT-DVE1*	Cart. Valve Kit, De-Gas, EP	1
	KIT-DKA1*	Cart. Valve Kit, De-Gas w/ standoffs, Aflas	1
	KIT-DKE1*	Cart. Valve Kit, De-Gas w/ standoffs, EP	1

* Includes Qty 6 Cart. Bullet and Qty 1 De-Gas Cart.
 ** Includes Qty 2 Diaphragms and Qty 2 Backing pieces

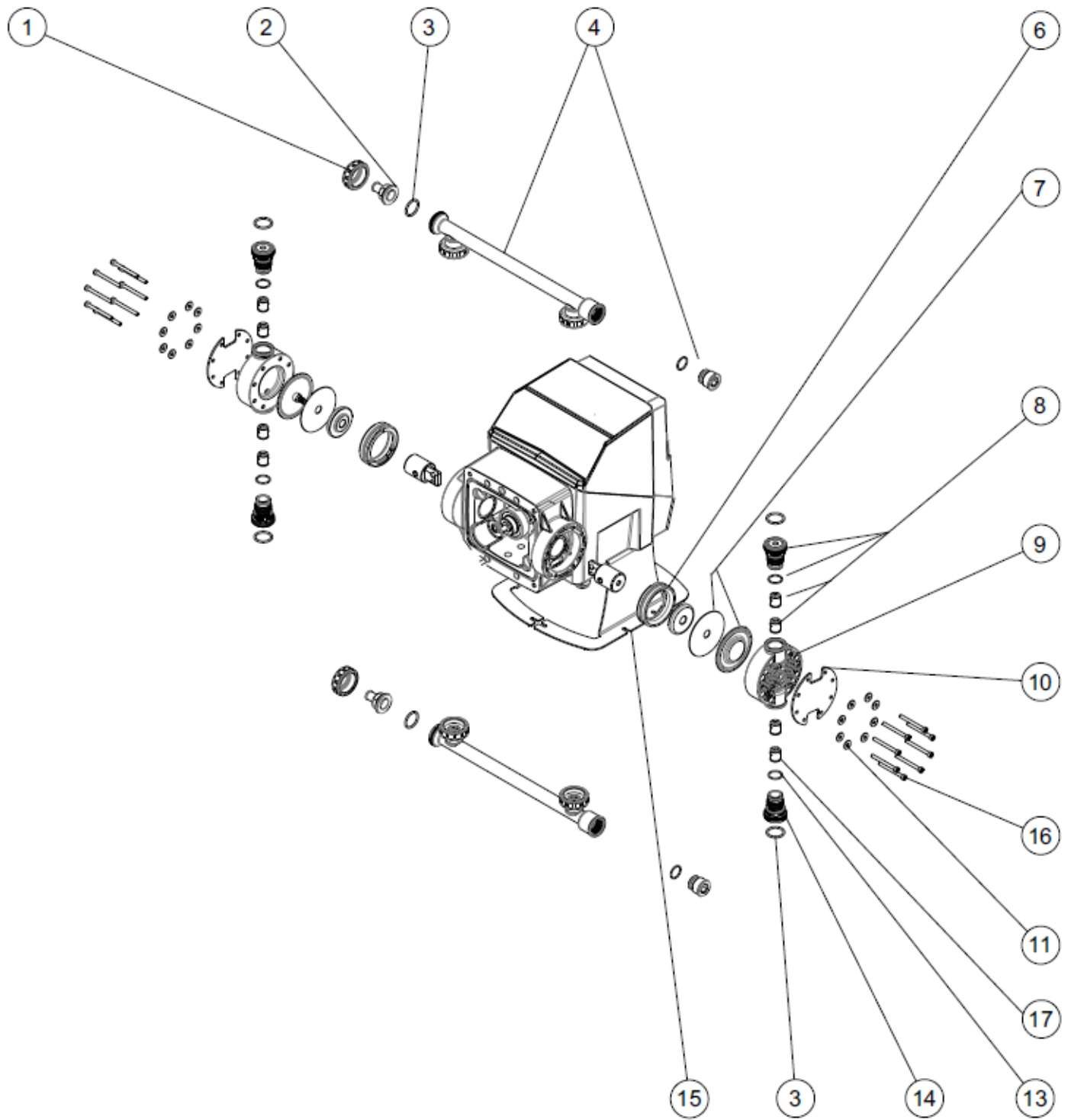
ELBOW & STRAIGHT ADAPTER KITS

Kits include:
 (2) #7 adapters
 (2) #8 Union Nuts
 (2) #14 O-rings



KIT-CA1SE Elbow Adapter Kit, 1/4" x 3/8" tubing comp., Aflas O-rings
 KIT-CE1SE Elbow Adapter Kit, 1/4" x 3/8" tubing comp., EP O-rings
 KIT-CA1ME Elbow Adapter Kit, 1/2" M/NPT fitting, Aflas O-rings
 KIT-CE1ME Elbow Adapter Kit, 1/2" M/NPT fitting, EP O-rings
 KIT-CA1BE Elbow Adapter Kit, 1/2" Hose Barb, Aflas O-rings
 KIT-CE1BE Elbow Adapter Kit, 1/2" Hose Barb, EP O-rings
 KIT-CA1S Straight Adapter Kit, 1/4" x 3/8" tubing comp., Aflas O-rings
 KIT-CE1S Straight Adapter Kit, 1/4" x 3/8" tubing comp., EP O-rings
 KIT-CA1M Straight Adapter Kit, 1/2" M/NPT fitting, Aflas O-rings
 KIT-CE1M Straight Adapter Kit, 1/2" M/NPT fitting, EP O-rings
 KIT-CA1B Straight Adapter Kit, 1/2" Hose Barb, Aflas O-rings
 KIT-CE1B Straight Adapter Kit, 1/2" Hose Barb, EP O-rings

CD3 Replacement Parts



CD3 Replacement Parts

Item	Model No.	Product Name	Qty. Req.	Item	Model No.	Product Name	Qty. Req.
1	91001-301	NUT UNION CD3 MOLDED PVDF	6	11	90011-094	WASHER #10	16
2	91001-295	.50" BARB ADAPTER	2	13	90003-141	O-RING 2-018 (TFE/P)	4
	91001-296	.50" BARB ADAPTER ELBOW	2		90003-610	O-RING 2-018 (EP)	4
	91001-288	.50" M/NPT ADAPTER ELBOW	2	14	90002-353	ADAPTER CART CD3	4
	91001-287	.50" M/NPT ADAPTER	2	15	90008-651	MOUNTING BRACKET	2
3	90003-577	O-RING 2-119 (AFLAS 75)	6	16	90011-210	Screw 10-32 x 2.0 SOC HD	1
	90003-627	O-RING 2-119 (EP)	6	17	20000-226	Kit (8) Ball Check Cart., Aflas	1
4	70001-504	MANIFOLD S/A PVDF (Aflas)	2		20000-227	Kit (8) Ball Check Cart., EP	1
	70001-505	MANIFOLD S/A PVDF (EP)	2		20000-229	Kit (4) Ball Check Cart., Aflas, PTFE Balls	2
6	90002-350	DRIVE HEAD INSERT	2				
7	72000-583	KIT DIAPHRAGM DIAFLEX® MD-3	2				
	72000-601	KIT DIAPHRAGM FLEX-A-PRENE® MD3	2				
8	70001-500	CARTRIDGE VALVE KIT (TFE/P)	4				
	70001-501	CARTRIDGE VALVE KIT (EP)	4				
9	90002-272	PUMP HEAD	2				
10	70004-541	PUMP HEAD FACE PLATE	2				

Foot Valves, Injection Valves, and Spares Kits (Not Shown)

71000-575 Foot Valve, 1/2" Barb, PVDF Body, FKM O-ring

71000-576 Foot Valve, 1/2" Barb, PVDF Body, EP O-ring

71000-849 Foot Valve, 1/2" MNPT, PVDF Body, FKM O-ring

71000-850 Foot Valve, 1/2" MNPT, PVDF Body, EP O-ring

71000-579 Injection Valve, 1/2" Barb Tubing, FKM, PVDF body, 6 psi

71000-580 Injection Valve, 1/2" Barb Tubing, EP, PVDF body, 6 psi

71000-577 Injection Valve, 1/2" MNPT, FKM, PVDF body, 6 psi

71000-578 Injection Valve, 1/2" MNPT, EP, PVDF body, 6 psi

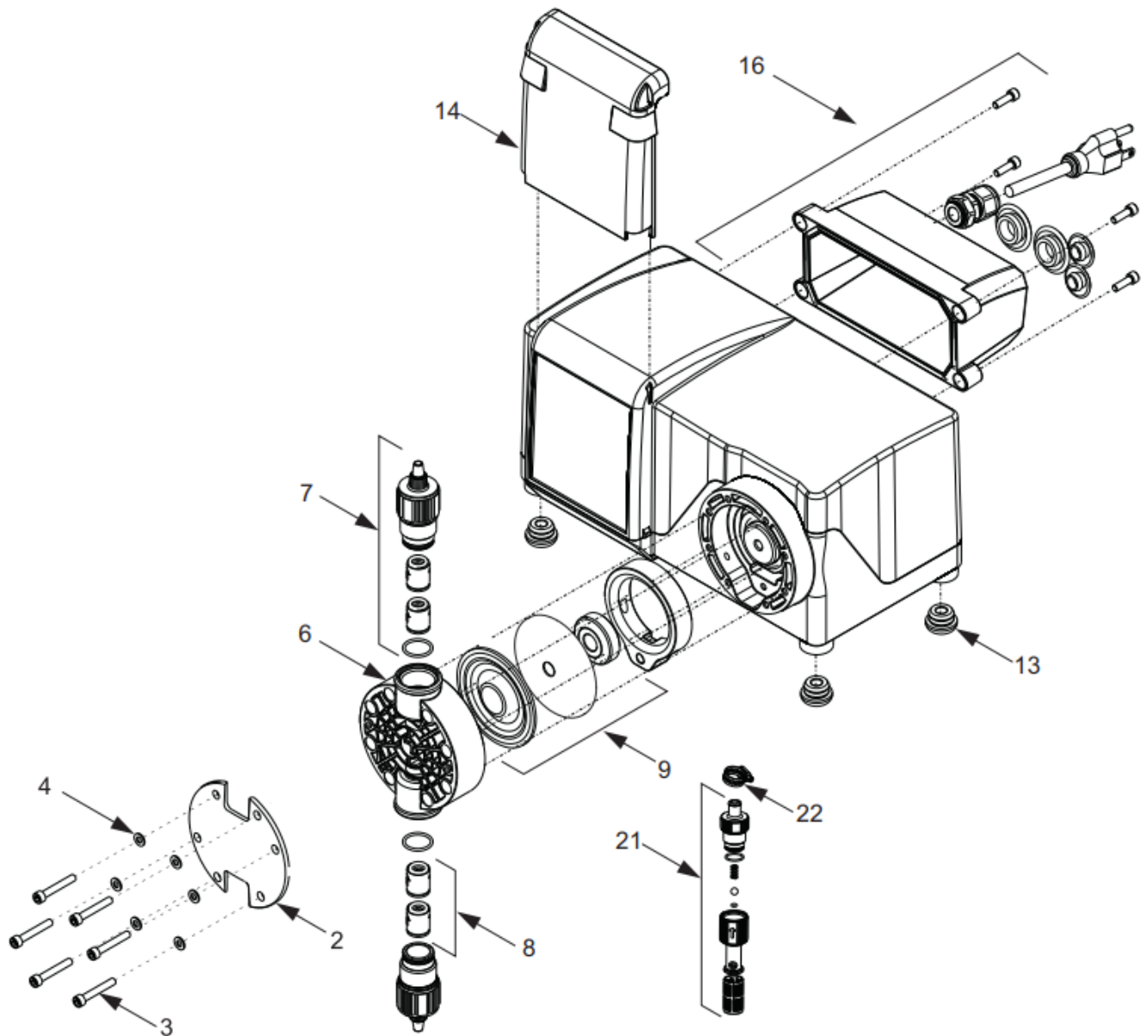
KIT-CA3DF DiaFlex Diaphragm / Ball Check(Aflas) Kit

Includes: (Qty 2) Item 7 - DiaFlex Diaphragm, (Qty 1) Item 17 -Kit ball check cartidges, (Qty 6) Item 3 - O-ring, (Qty 4) Item 13 - O-ring)

KIT-CE3DF Flex-A-Prene Diaphragm / Ball Check(EP) Kit

Includes: (Qty 2) Item 7 - DiaFlex Diaphragm, (Qty 1) Item 17 -Kit ball check cartidges, (Qty 6) Item 3 - O-ring, (Qty 4) Item 13 - O-ring)

C2 Replacement Parts

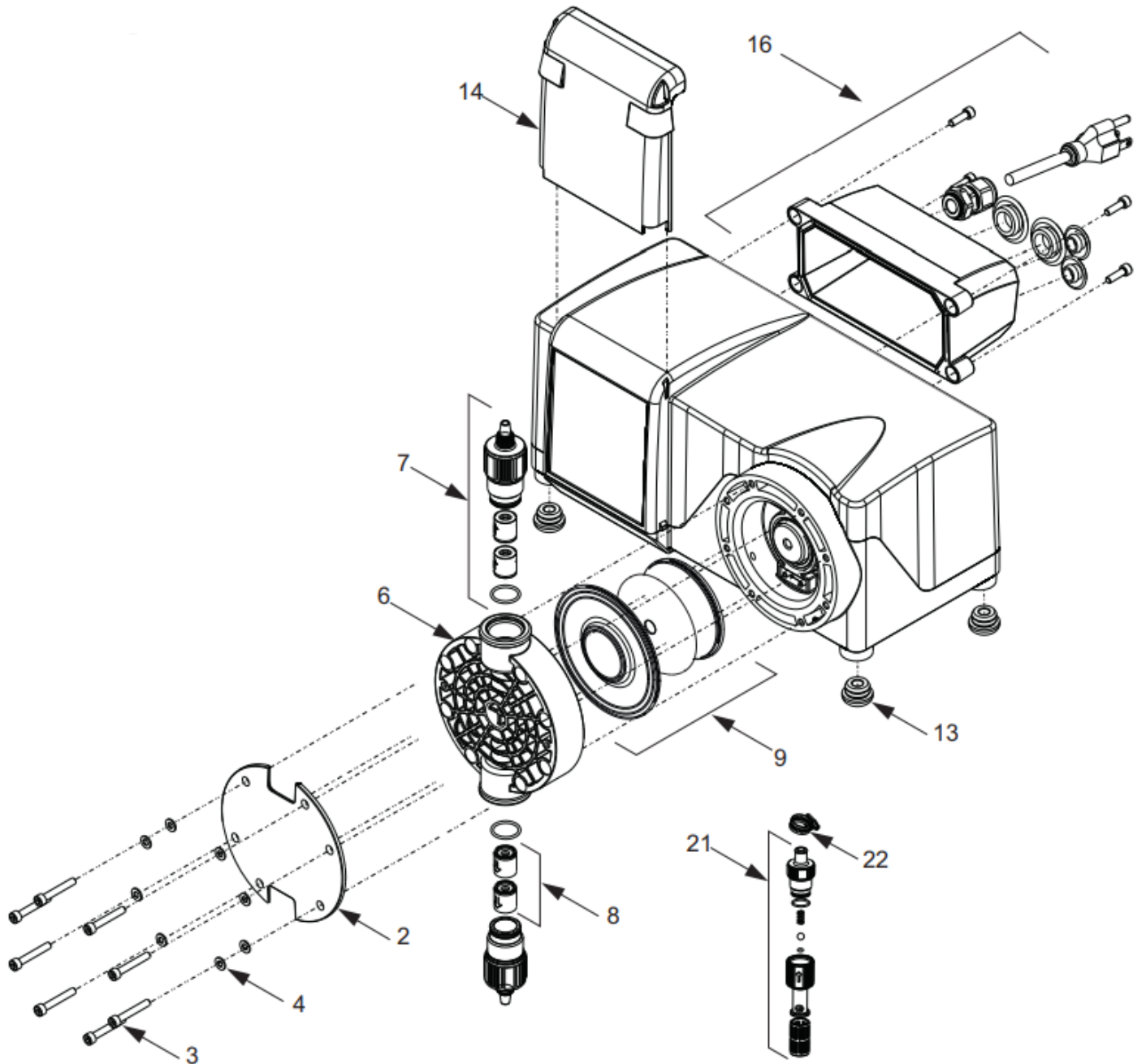


C2 Replacement Parts

Item	Model No.	Product Name	Qty. Req.
2	70004-541	COVER P/H C2	1
3	90011-149	SCREW	8
4	90011-094	Washer	8
6	90002-273	P/HEAD SM C2 PVDF	1
	90002-272	P/HEAD LG C2 PVDF	1
	71010-446	P/HEAD MICRO PVDF	1
7	70001-349	VALVE .5 M/NPT VIT	2
	70001-350	VALVE .5 M/NPT EP	2
	70001-351	VALVE .5 F/NPT VIT	2
	70001-352	VALVE .5 F/NPT EP	2
	70001-347	VALVE .5 T-BARB VIT	2
	70001-348	VALVE .5 T-BARB EP	2
	70001-372	VALVE .375 TUBE VIT	2
	70001-373	VALVE .375 TUBE EP	2
8	20000-194	KIT 4 EA. VALVE VIT	1
	20000-195	KIT 4 EA. VALVE EP	1
9	72000-551	MICRO DIAPHRAGM KIT	1
	72000-296	SMALL DIAPHRAGM KIT	1
	72000-297	LARGE DIAPHRAGM KIT	1
	72000-606	MICRO DIA KIT FLEX-A-PRENE®	1
	72000-607	SM DIA KIT FLEX-A-PRENE®	1
	72000-605	LG DIA KIT FLEX-A-PRENE®	1

Item	Model No.	Product Name	Qty. Req.
11	90001-173	P/HEAD LG. SPACER	1
	90001-172	P/HEAD SM. SPACER	1
13	90003-561	BUMPER FEET	4
14	90002-326	UV LCD CVR PLYCRB	1
16	71010-027	J-BOX KIT W/ 115V	1
	71010-028	J-BOX KIT W/ 230V	1
	71010-029	J-BOX KIT W/ 220V	1
21	See Accessory Page for Foot Valve Options		
22	90008-043	CLAMP SS .5"	1
N/A	72000-378	BRUSH KIT MC2/MC3 90VDC MOTOR	1

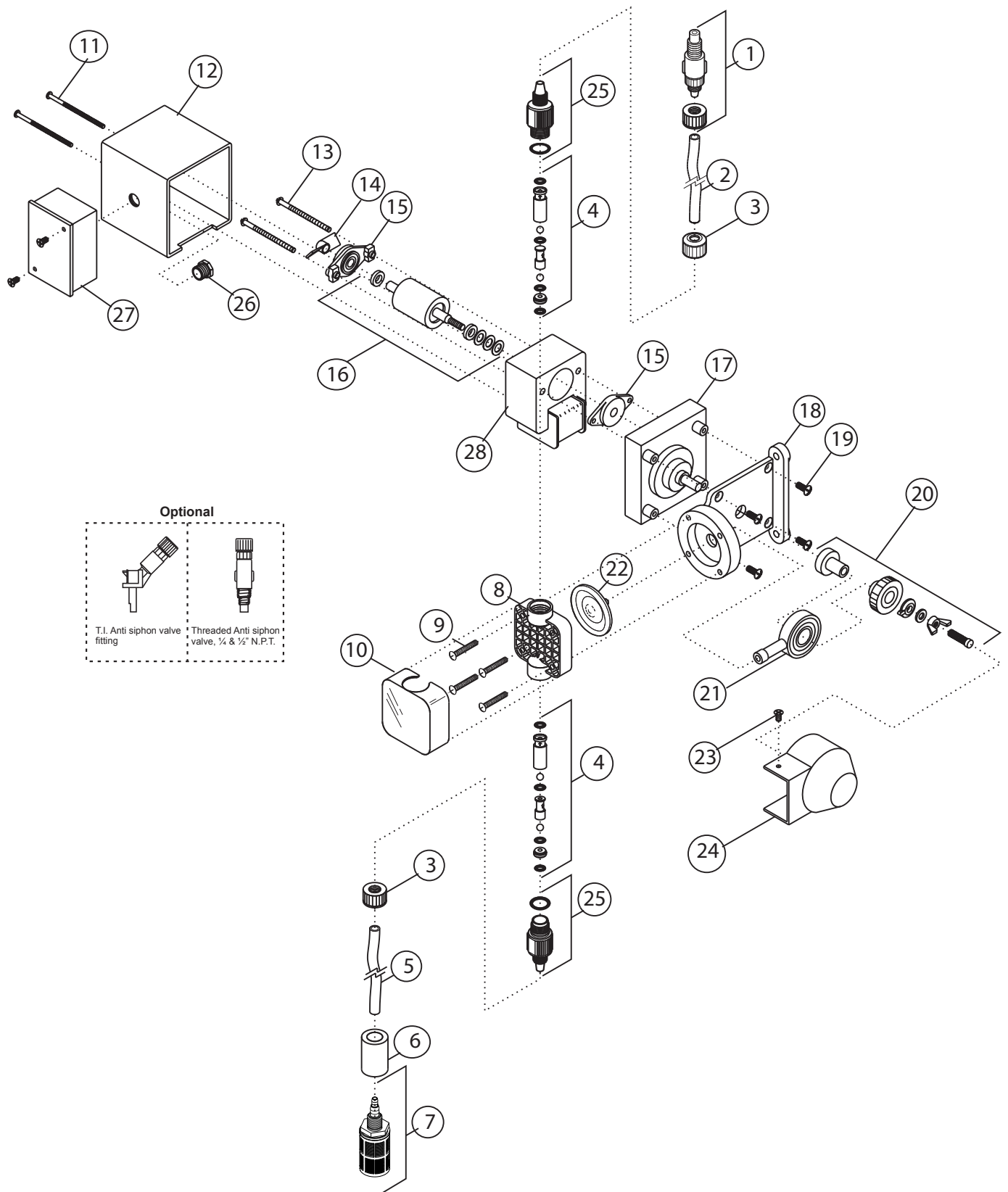
C3 Replacement Parts



C3 Replacement Parts

Item	Model No.	Product Name	Qty. Req.	Item	Model No.	Product Name	Qty. Req.
2	70004-540	COVER P/H C3	1	13	90003-561	BUMPER FEET	4
3	90011-149	SCREW	8	14	90002-326	UV LCD CVR PLYCRB	1
4	90011-094	WASHER #10 P/H SS	8	16	71010-027	J-BOX KIT W/ 115V	1
6	90002-258	P/HEAD LG C3 PVDF	1		71010-028	J-BOX KIT W/ 220V	1
7	70001-349	VALVE .5 M/NPT VIT	2		71010-029	J-BOX KIT W/ 220V	1
	70001-350	VALVE .5 M/NPT EP	2	21	See Accessory page for Foot Valve Options		
	70001-351	VALVE .5 F/NPT VIT	2	22	90008-043	CLAMP SS .5"	1
	70001-352	VALVE .5 F/NPT EP	2	23	76001-361	TUBE SUCTION .5 D, 8' L	1
	70001-347	VALVE .5 T-BARB VIT	2	24	71000-579	INJECTION .5 BARB	1
	70001-348	VALVE .5 T-BARB EP	2		71000-577	INJECTION .5 M/NPT	1
8	20000-194	KIT 4 EA. VALVE VIT	1	N/A	72000-378	Brush Kit MC2/MC3 90VDC Motor	1
	20000-195	KIT 4 EA. VALVE EP	1				
9	72000-295	DIAPHRAGM KIT C3	1				
	72000-604	DIAPHRAGM KIT FLEX-A-PRENE®	1				

C-600P Replacement Parts

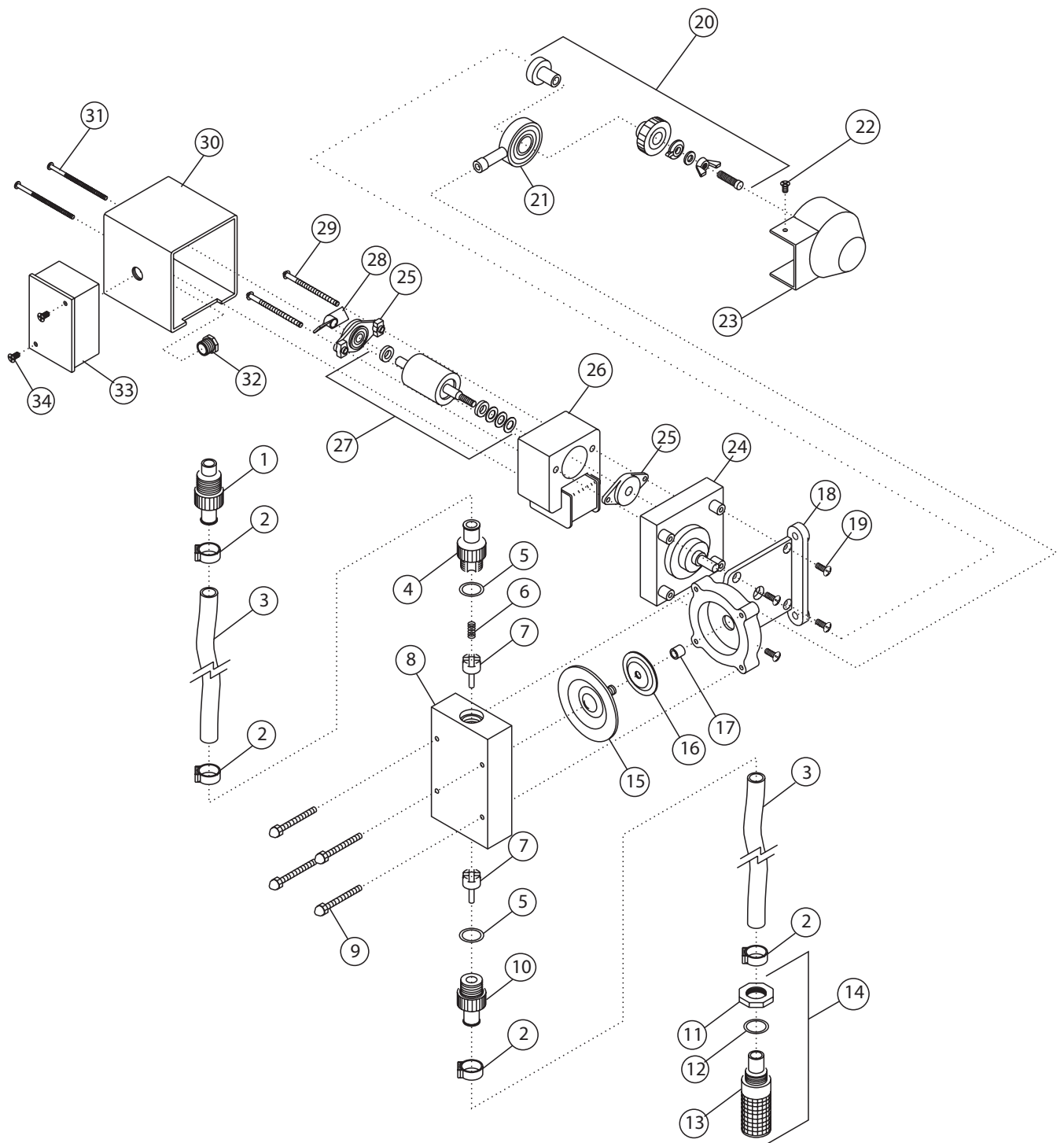


C-600P Replacement Parts

Item	Model No.	Product Name	Qty. Req.
1	C-395N-6A	Injection Valve 6 Psi, Aflas	1
	C-395N-6E	Injection Valve 6 Psi, Ep (Optional)	1
2	C-335-6	Discharge Tubing 3/8 Od, 5ft. Opaque Poly-E	1
3	C-330-6	Tube Nut	2
4	K-568A-4	Bullet Valve (Double Ball), Aflas, 4 Pack Set	2
	K-568A-10	Bullet Valve (Double Ball), Aflas, 10 Pack Set	2
	K-568E-4	Bullet Valve (Double Ball), Ep, 4 Pack Set (Optional)	2
	K-568E-10	Bullet Valve (Double Ball), Ep, 10 pack Set(Optional)	2
5	C-334-6	Suction Tubing 3/8' Od, 5ft. Clear Pvc W/ Indicator	1
6	C-346	Ceramic Weight	1
7	C-340A	Foot Valve / Strainer Poly-Pro, Aflas	1
	C-340E	Foot Valve / Strainer Poly-Pro, Ep (Optional)	1
8	C-535	Heavy Duty Machined Pump Head	1
9	C-504HD	Screw, Hd Pump Head 10-32 X 1-1/4'	4
10	C-535FC	Pump Head Cover, CHEM-FEED Logo	1
11	C-628	Cover Screw 6-32 X 2-3/4' Steel	2
12	C-608P	Motor Cover	1
13	C-625	Motor Screw 8-32 X 2-1/2'	2
14	C-612F	Rotor Fan 1	1
15	C-612PB	Rotor Bearing	2
16	C-616PN	Rotor W/ Spacer	1
17	C-618P-14	Gearbox Assembly, 14 Rpm	1
	C-618P-30	Gearbox Assembly, 30 Rpm	1
	C-618P-45	Gearbox Assembly, 45 Rpm	1
	C-618P-60	Gearbox Assembly, 60 Rpm	1
	C-618P-125	Gearbox Assembly, 125 Rpm	1
	C-618P-250	Gearbox Assembly, 250 Rpm	1
18	C-301	Motor Mount	1
19	C-624	Motor Mount Screw 10-32 X 1/2'	4
20	C-325	Cam S/A C-600	1
21	C-304	Yoke W/Bearings	1
22	C-406T	Diaphragm Ptfе Coated, Ep	1
23	90011-155	Screw 6-332 X 3/8'	1
24	90002-201	Cam Cover	1
25	C-560-6E	Bullet Valve Adapter, EP O-ring	2
	C-560-6V	Buller Valve Adapter, Viton O-ring	2
26	90007-515	1/2" Aluminum Chase Nipple	1

Item	Model No.	Product Name	Qty. Req.
27	C-308J	Junction Box Complete W/ Cover and Gasket	1
28	C-615P-1	Stator S/A 115v/60hz, Blue-Black (Lead Wires)	1
	C-615P-2	Stator S/A 230v/60hz, Red-Black (Lead Wires)	1
	C-615P-3	Stator S/A 220v/50hz, Brown-Blue (Lead Wires)	1
	C-615P-4	Stator S/A 24v/60hz, Blue-White (Lead Wires)	1
	C-615P-5	Stator S/A 24v/50hz, White-White (Lead Wires)	1
	C-615P-6	Stator S/A 230v/60hz, Red-Yellow (Lead Wires)	1
	C-615P-8	Stator S/A 220v/50hz, Brown-Yellow (Lead Wires)	1
	C-615P-9	Stator S/A 115v/60hz, Blue-Yellow (Lead Wires)	1
	C-615P-10	Stator S/A 240v/50hz, Orange-Yellow (Lead Wires)	1
	C-615P-11	Stator S/A 240v/50hz, Orange-White (Lead Wires)	1

C-600HV Replacement Parts

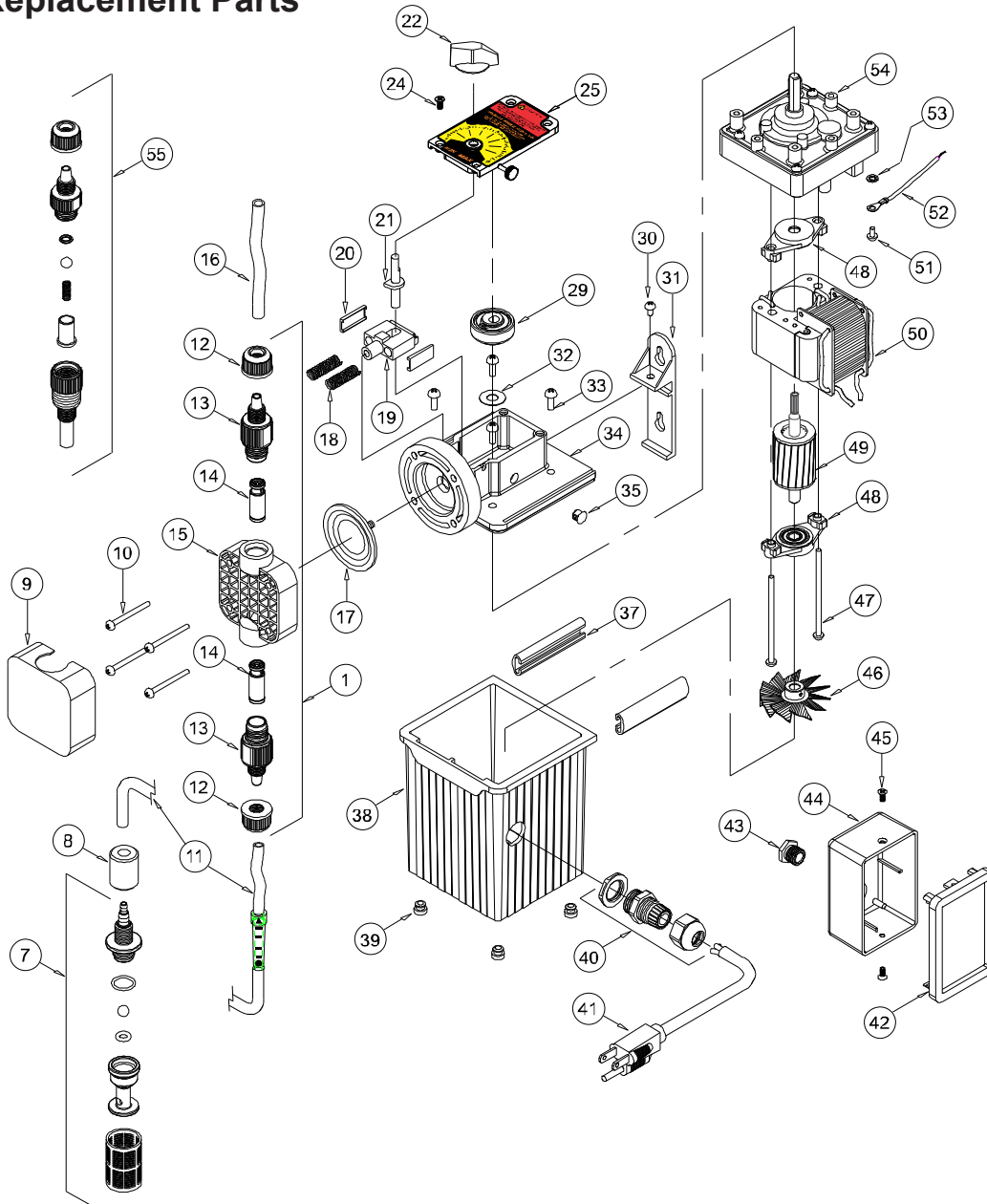


C-600HV Replacement Parts

Item	Model No.	Product Name	Qty. Req.
1	C-3391-10	Injection Fitting	1
2	C-3330	Clamp	4
3	C-334-10	Tubing 5/8" O.D. , 5FT	2
4	C-428N-10	Top Adaptor, 5/8" Tube	1
5	90003-033	O-ring (EP) (Aflas)	1
6	C-354-2	Spring	1
7	C-926E	Check Valve (Hypalon)	1
	C-926V	Check Valve (Aflas)	1
8	C-3203N-1	Pump head (Clear Acrylic)	1
9	C-3504	Screw, (Headblock) #8-32 X 1 1/2	4
10	C-427N-10	Bottom Adaptor, 5/8" Tube	1
11	C-3345B	Lock Nut	1
12	90003-607	O-ring	1
13	C-3373-10	Foot Strainer	1
14	C-3393-10	Combination Foot Strainer Bulkhead	1
15	C-3106NE	Diaphragm (EP)	1
	C-3106NV	Diaphragm (Aflas)	1
16	90006-526	Aluminum Backup Washer	1
17	76000-514	H.V. Aluminum Spacer	1
18	C-3301	Motor Mount	2
19	C-624	Screw 10-32 X 1/2	4
20	C-3325	Cam Set	1
21	C-3304	Yoke and Bearing	1
22	90011-155	Screw 6-32 X 3/8"	1
23	90002-201	Cam Cover	1
24	C-618P-60	Gearbox Assembly (60 RPM)	1
	C-618P-125	Gearbox Assembly (125 RPM)	1
	C-618P-250	Gearbox Assembly (250 RPM)	1
25	C-612PB	Armature Bearing	2
26	C-615P-1	Motor Winding (115V-60hz)	1
	C-615P-2	Motor Winding (230V-60hz)	1
	C-615P-3	Motor Winding (220V-50hz)	1
27	70000-027	Rotor w/ Spacers	1
28	C-612F	Armature Fan	1
29	C-625	Motor Screw 8-32 X 2 3/4	2

Item	Model No.	Product Name	Qty. Req.
30	C-608P	Motor Cover (Zinc)	1
31	C-628	Cover Screw 6-32 X 2 3/4	2
32	90007-515	1/2" Aluminum Chase Nipple	1
33	C-308J	Junction Box	1
34	90011-129	Junction Box screw 8-32 X 5/16	2

C-1500N Replacement Parts



Item	Model No.	Product Name	Qty. Req.
1	C-535A6-6	Pumphead Kit, HDN Viton	1
	C-535A6-6E	Pumphead Kit, HDN EP	1
7	C-340A	FootValve S/A, Aflas	1
	C-340E	FootValve S/A, EP	1
8	C-346	Ceramic weight	1
9	C-535FC	Cover P/Head, HD CHEM-FEED logo	1
	C-535F	Cover P/Head, HD Noir logo	1
	S-535F	Cover P/Head, HD Micro logo	1
10	C-504HD	Screw I 0-32 x 1.25	4
11	70000-638	Tube Indicator Glass 3/8 x 5 FT	1
	C-334-4	Tube Suction 1/4 x 5 FT	1

Item	Model No.	Product Name	Qty. Req.
12	C-330-4	Tube Nut, .25T, PVDF	2
	C-330-6	Tube Nut, .37T, PVDF	2
13	C-560-4E	Adapter S/A Bullet .25T EP	2
	C-560-4V	Adapter S/A Bullet .25T Viton	2
	C-560-6A	Adapter S/A Bullet .37T AFLAS	2
	C-560-6E	Adapter S/A Bullet .37T EP	2
	C-560-6S	Adapter S/A Bullet .37T Silicon	2
	C-560-6V	Adapter S/A Bullet .37T Viton	2

C-1500N Replacement Parts

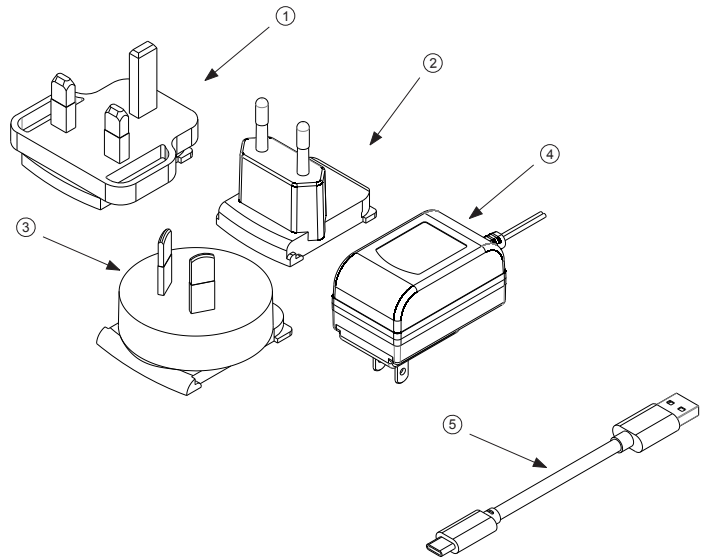
Item	Model No.	Product Name	Qty. Req.
14	71000-392	Cart Bullet Double AFLAS PVDF	2
15	C-535V	Pumphead, PVDF	1
16	C-335-6	Tubing D/Charge, 3/8 x 5 FT	1
	C-335-4	Tubing D/Charge, 1/4 x 5 FT	1
17	C-406VT-15N	Diaphragm S/A 2.0 15N, Viton/TFE	1
	C-406T-15N	Diaphragm S/A 2.0 15N, EP/TFE	1
	R-106VT-15N	Diaphragm S/A 1.6 15N, Viton/TFE	1
	R-106T-15N	Diaphragm S/A 1.6 15N, EP/TFE	1
18	C-1514N	Return Spring	2
19	C-1513N	Stirrup w/Slide Bearing	1
20	C-1504	Slide Bearing	2
21	C-1505N	Offset Cam #1 .125"	1
	R-1505N	Offset Cam #2 .055"	1
	C-1505N-3	Offset Cam #3 .187"	1
	C-1505N-4	Offset Cam #4 .100"	1
22	C-1502	Dial Knob	1
24	90011-168	Screw #6 x .62 PH oval 'A'	4
25	C-1503N-3	Top Cover Assembly with bearing	1
29	C-1507A	Drive Cam S/A #1 .125"	1
	R-1507A	Drive Cam S/A #2 .055"	1
	C-1507-3A	Drive Cam S/A #3 .187"	1
	C-1507-4A	Drive Cam S/A #4 .100"	1
30	C-624N	Screw 10-32 x .50 PHL PAN	1
31	90002-106	Bracket Wall Mount	1
32	90011-014	Spacer, Rotor	1
33	C-624N	Screw 10-32 x .50 PHL PAN	4
34	C-1501N	Motor Mount, Large Diaphragm	1
	C-1501N-S	Motor Mount, Small Diaphragm	1
35	90008-138	Plug .312 Hole Black	1
36	90006-597	Gasket, Motor Mount	1
37	C-628NG	Slide Clamp	2
38	90002-212	Motor cover for power cord models	1
	C-1508PN-2	Motor cover for junction box models	1
39	C-1517	Bumper Feet	4
40	A-033N	Connector Liq-Tite w/nut	1

Item	Model No.	Product Name	Qty. Req.
41	C-1523UL	Cord 18/3 SJTW/A 115V, U.S., NEMA 5/15 plug	1
	90010-196	Cord 18/3 SJTW/A 220V, Euro, CEE 7NII (A) plug	1
	C-823-230	Cord 18/3 SJTW/A 230V, U.S., NEMA 6/15 plug	1
42	C-052	Cover, Junction Box with Gasket and Label	1
43	C-649	Bushing, Junction Box Connector, Alum.	1
44	76000-522	Junction Box, Valox	1
45	F-7013	Screw, Cover, 6-32 X .25 Phil Pan SS Black	2
46	90006-598	Fan, 1.80" Diameter, Alum.	1
47	C-625	Screw, Motor, 8-32 X 2.5" Phillips Steel	2
48	C-612PB	Bearing Bracket With Bearing	2
49	C-616PN	Rotor Assembly With Shaft and Spacers	1
50	C-615P-1	Stator S/A 115v/60hz, Blue-Black (Lead Wires)	1
	C-615P-2	Stator S/A 230v/60hz, Red-Black (Lead Wires)	1
	C-615P-3	Stator S/A 220v/50hz, Brown-Blue (Lead Wires)	1
	C-615P-4	Stator S/A 24v/60hz, Blue-White (Lead Wires)	1
	C-615P-5	Stator S/A 24v/50hz, White-White (Lead Wires)	1
	C-615P-6	Stator S/A 230v/60hz, Red-Yellow (Lead Wires)	1
	C-615P-8	Stator S/A 220v/50hz, Brown-Yellow (Lead Wires)	1
	C-615P-9	Stator S/A 115v/60hz, Blue-Yellow (Lead Wires)	1
	C-615P-10	Stator S/A 240v/50hz, Orange-Yellow (Lead Wires)	1
51	90011-024	Ground Screw 8-32 x .25 Hex SL ST	1
52	90010-127	Lead Wire, ground, Green	1
53	90011-078	Washer, Ground Screw, #8 Intri/Star	1
54	C-618N-14	Gearbox, 14 RPM	1
	C-618N-30	Gearbox, 30 RPM	1
	C-618N-45	Gearbox, 45 RPM	1
	C-618N-60	Gearbox, 60 RPM	1
	C-618N-125	Gearbox, 125 RPM	1
	C-618N-250	Gearbox, 250 RPM	1
55	C-395N-6A	Injection Valve S/A 37T VIT 6 PSI	1

MS6 Replacement Parts

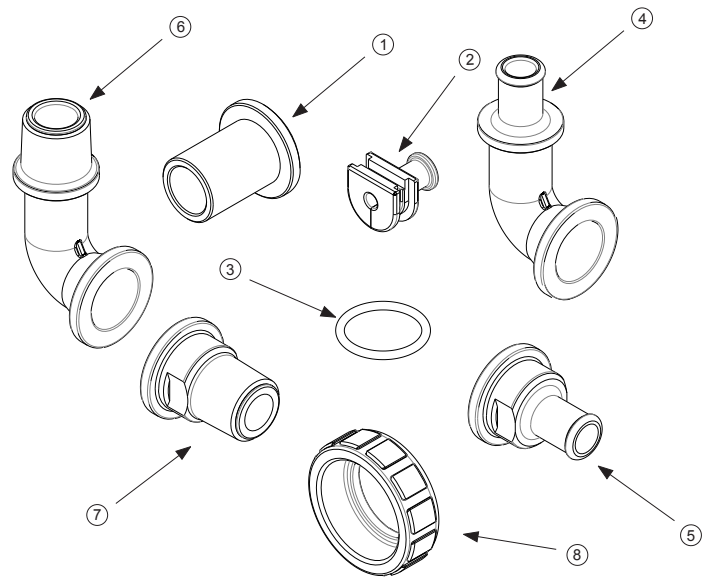
MS6 Power Supply Kit 72000-594

Item	Model No.	Product Name	Qty. Req.
1	90008-723	U.K. Blade Power Supply	1
2	90008-513	Europe Blade Power Supply	1
3	90008-724	Australian Blade Power Supply	1
4	90008-743	Power Supply 120AC/5VDC 2000MA	1
5	90010-597	USB A-C Cable	1



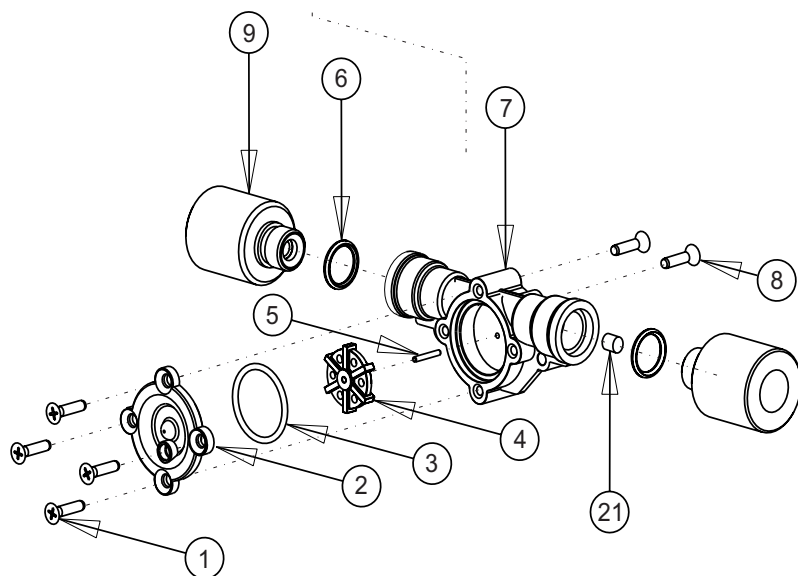
MS6 Adapter Kit 72000-588(Aflas), 72000-647 (EP)

Item	Model No.	Product Name	Qty. Req.
1	76001-855	Adapter PVC	2
2	90003-565	Cable Gland	2
3	90003-577	O-Ring 2-119 AFLAS	2
3	90003-153	O-Ring 2-119 EP	2
4	91001-296	Adapter Elbow, .50 MNPT	2
5	91001-295	.50" Barb Adapter	2
6	91001-288	Adapter Elbow SM .50 M/NPT	2
7	91001-287	Adapter, SM.50 M/NPT	2
8	91001-301	Nut Union Molded PVDF	2

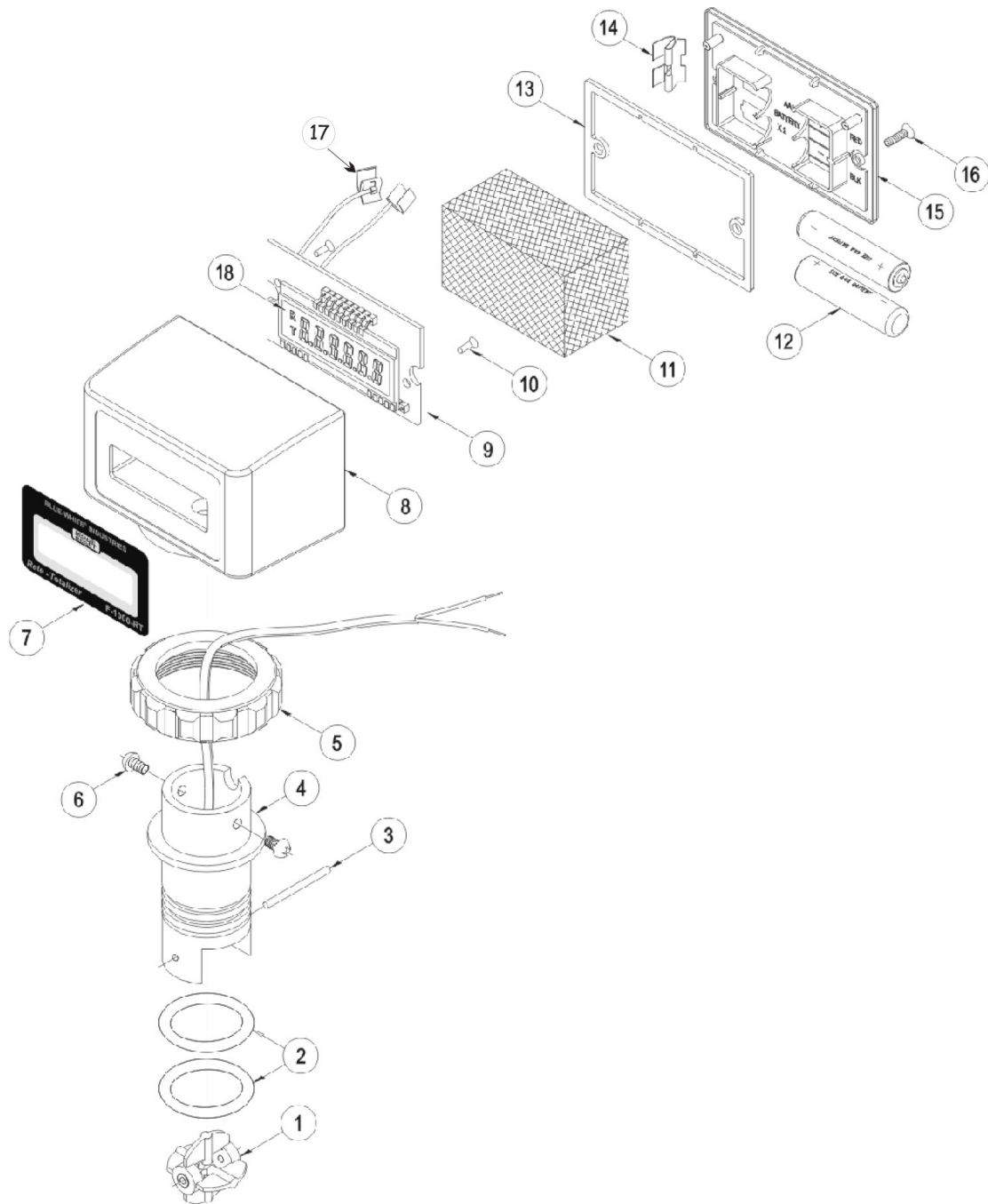


MICRO-FLO Replacement Parts

Item	Model No.	Product Name	Qty. Req.
1	90011-190	Screw 6-32 x .50 Phil Flt SS	4
2	90002-228	Lens Cap Opaque PVDF	1
3	90003-143	O-Ring FKM	1
	90003-146	O-Ring EP	1
4	90002-229	Paddle PVDF	1
5	90007-592	Axle PVDF	1
6	90003-012	O-Ring FKM	2
	C-502EB	O-Ring EP	2
7	76001-705	Body S1 PVDF (30-300ml/min)	1
	76001-301	Body S2 PVDF (100-1000ml/min)	1
	76001-302	Body S3 PVDF (200-2000ml/min)	1
	76001-706	Body S4 PVDF (300-3000ml/min)	1
	76001-304	Body S5 PVDF (500-5000ml/min)	1
	76001-305	Body S6 PVDF (700-7000ml/min)	1
8	90011-178	Screw #4 x .50 Phil Blk	2
9	76000-137	Adapter .250" F/NPT PVC	2
	76000-456	Adapter .125" F/NPT PVC	2
	90002-038	Adapter .375" OD Tubing Connection, PVDF	2
	90002-042	Adapter .250" OD Tubing Connection, PVDF	2
	76001-360	Adapter .500" ID Hose Barb, PVC	2
	76001-359	Adapter .500 F/NPT, PVC	2
	76001-358	Adapter .500 M/NPT, PVC	2



F-1000 Replacement Parts



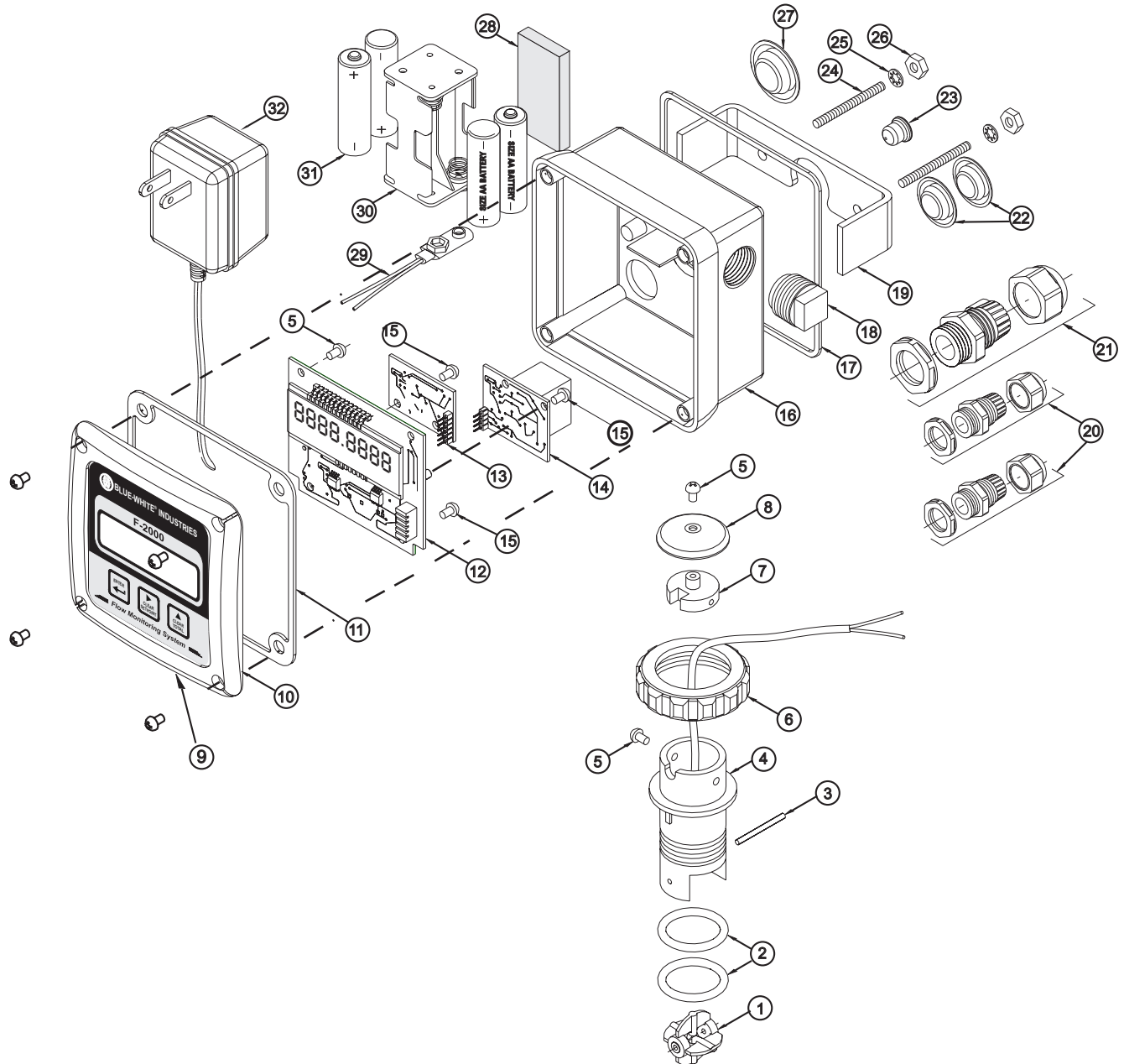
F-1000 Replacement Parts

Item	Model No.	Product Name	Qty. Req.
1	70000-783	Paddle assembly PVDF (includes Axle)	1
2	90003-021	O-ring 022 Viton E60	2
	90003-020	O-ring 022 EP	2
3	90007-589	Axle PVDF	1
	90007-567	Axle Hastelloy	1
4	71000-238	Sensor body assembly F-100 no paddle	1
5	91001-280	Union Nut	1
	90011-080	Screw #6 x .37 PH Pan B 18/8	2
7	90012-198	Label F-1000-RB GPM	1
	90012-199	Label F-1000-RB GPH	1
	90012-200	Label F-1000-RB LPM	1
	90012-201	Label F-1000-RB LPH	1
	90012-202	Label F-1000-RB M3H	1
	90012-221	Label F-1000-TB overlay	1
	90012-222	Label F-1000-RT overlay	1

Item	Model No.	Product Name	Qty. Req.
8	76001-187	Housing F-1000	1
	RBC-pipe-units	Circuit board for model RB. Must specify pipe	1
	TBC-pipe-units	Circuit board for model TB. Must specify pipe	1
	RTC-pipe-units	Circuit board for model RT. Must specify pipe	1
	90011-169	Screw #4 .25 Phil Pan "A"	1
	90013-260	Foam pad 1.25 x 1.25 x 2.25	1
	90008-318	Battery each AAA	2
13	90006-590	Gasket F-1000	1
14	90008-319	Battery clip F-1000	1
15	90002-203	Rear plate F-1000	1
16	90011-113	Screw #4 .50 Phil oval "A"	2
17	90010-241	Battery Connector	1
N/S	F-900K	Service Removal Plug	

Note: See page 142 for Pipe Kits

F-2000 Replacement Parts



F-2000 Replacement Parts

Item	Model No.	Product Name	Qty. Req.
1	70000-783	Paddle Assembly PVDF (Includes Axle)	1
2	F-4410V	O-Ring 022 Viton E60	2
	F-4410E	O-Ring 022 EP	2
3	90007-589	Axle PVDF	1
	90007-567	Axle Hastelloy	1
4	71000-238	Sensor Body Ac Coil 1' Cable	1
	71000-285	Sensor Body Ac Coil 25' Cable	1
	70000-806	Sensor Body Hall Effect 25' Cable	1
5	90011-080	Screw #6-32 X .37 Ph Pan B 18/8	5
6	91001-280	Union Nut	1
7	76002-023	Retainer Sensor Cap	1
8	90006-550	Cap Sensor Body SS	1
9	90012-208	Switch Overlay F-2000	1
10	71000-356	Cover F-2000 W/ Switch Overlay	1
11	90006-592	Gasket F-2000 Housing Neoprene	1
12	90010-227	Circuit Board F-2000 Rt	1
13	KIT-AO	Kit Circuitry Model F-2000 AO	1
14	KIT-PB	Kit Circuitry Model F-2000 PB	1
14	KIT-PC	Kit Circuitry Model F-2000 PC	1
15	90011-155	Screw #6-32 X .31 Ph Pan SS	4
16	76001-150	Enclosure F-2000 Panel Mount	1

Item	Model No.	Product Name	Qty. Req.
17	90006-593	Gasket F-2000 1/4 Din Panel Mount	1
18	90008-331	Cap Plug P-48 1/2 Npt Red F-2000	1
19	71000-294	Kit F-2000 1/4 Din Panel Mount	1
20	71000-730	Connector Liquid-Tight 1/2 In.	2
21	A-033N	Connector Liquid-Tight 3/4 In.	1
22	90008-332	Plug 1/2 In.	2
23	90008-340	Cap Plug Vtp-25 Red	1
24	90011-038	Stud Screw #10-32 1.62 Long	2
25	90011-092	Star Washer #10-32	2
26	90011-026	Hex Nut #10-32	2
27	90008-333	Plug 7/8 In.	1
28	90013-261	Foam Pad 1/4 In. Thick	1
29	90008-254	Battery Clip	1
30	90010-233	Battery Holder F-2000 4x AA	1
31	90008-330	Battery alkaline AA	4
32	90008-336	Power Supply 115VAC/15VDC	1
	71010-072	Power Supply 220VAC/15VDC Europe	1
	71000-310	Power Supply 230VAC/15VDC	1
N/S	F-900K	Service Removal Plug	1

F-1000 & F-2000 Pipe Fittings

Polypropylene Molded In-Line Pipe Fittings -

Pipe Size	GPM Range	LPM Range	Max. PSI Drop	Model Number	
				American M/NPT	British Pipe M/BSPT
3/8"	.8 - 8	3 - 30	2.3	38M1	38MB1
3/8"	.4 - 4	1 - 10	8.7	38M2	38MB2
1/2"	2 - 20	7 - 70	3.5	50M1	50MB1
3/4"	3 - 30	11 - 110	1.9	75M1	75MB1
1"	5 - 50	20 - 200	1.6	10M1	10MB1
1 1/2"	6 - 60	25 - 250	1.0	15M2	15MB2
2"	10 - 100	40 - 400	0.9	20M3	20MB3
2"	20 - 200	70 - 700	1.0	20M4	20MB4

Pipe sizes: 3/8" - 2" M/NPT

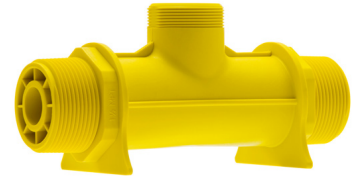
MOLDED IN-LINE FEATURES

- One piece injection molded construction
- Male pipe thread In-line installation
- Polypropylene fittings for standard applications

MOLDED IN-LINE SPECIFICATIONS

- Max PSI** - 300 psi (20 bar) @ 70F (21C)
- Max Temp** - 200F (93C) @ 0 psi

20M3
Polypropylene



Standard Saddle Mount Pipe Fittings -

Pipe Size	GPM Range	LPM Range	Material	Model Number	
				Schedule 40	Schedule 80
1 1/2"	15 - 150	60 - 600	PVDF	15K4/S4	15K8/S8
2"	30 - 300	100 - 1000	PVDF	20K4/S4	20K8/S8
2 1/2"	40 - 400	150 - 1500	PVC	25A4/S4	25A8/S8
3"	60 - 600	250 - 2500	PVDF	30K4/S4	30K8/S8
4"	100 - 1000	400 - 4000	PVC	40A4/S4	40A8/S8
6"	250 - 2500	900 - 9000	PVC	60A4/S4	60A8/S8
8"	400 - 4000	1600 - 16000	PVC	80A4/S4	80A8/S8
10"	600 - 6000	2400 - 24000	PVC	100A4/S4	100A8/S8
12"	800 - 8000	3200 - 32000	PVC	120A4/S4	120A8/S8

Pipe sizes: 1-12" (50-315mm)

SADDLE FEATURES

- 1 1/2" - 3" (50-90mm) injection molded PVDF
- 4" - 12" (110 - 315mm) machined PVC
- Installs on existing pipe - no other fittings required
- No added pressure drop to system

SADDLE SPECIFICATIONS

- Max PSI** - 300 psi (20 bar) @ 70F (21C)
- Max Temp** - (PVDF) 200F (93C) @ 0 psi
(PVC) 140F (60C) @ 0 psi

*Saddle Mount pipe fittings include: alignment tool, o-rings, clamps, and union nut.

Metric Saddle Mount Pipe Fittings -

DIN 8062	LPM Range	Material	Model Number	
			METRIC PN10	METRIC PN16
50mm	70 - 700	PVDF	05K0/P0	05K6/P6
63mm	110 - 1100	PVDF	06K0/P0	06K6/P6
75mm	150 - 1500	PVC	07A0/P0	07A6/P6
90mm	230 - 2300	PVDF	09K0/P0	09K6/P6
110mm	350 - 3500	PVC	11A0/P0	11A6/P6
160mm	720 - 7200	PVC	16A0/P0	16A6/P6
200mm	1150 - 11500	PVC	20A0/P0	20A6/P6
250mm	1700 - 17000	PVC	25A0/P0	
315mm	2700 - 27000	PVC	31A0/P0	

15K8
PVDF



80A4
PVC

*Saddle Mount pipe fittings include: alignment tool, o-rings, clamps, and union nut.

PVC TEE Pipe Fittings -

Pipe Size	GPM Range	LPM Range	Material	Model Number
1"	6 - 60	25 - 250	PVC	10AT
1 1/2"	15 - 150	60 - 600	PVC	15AT
2"	30 - 300	100 - 1000	PVC	20AT
3"	60 - 600	230 - 2300	PVC	30AT



20AT
PVC

Pipe sizes: 1-3"

TEE FEATURES

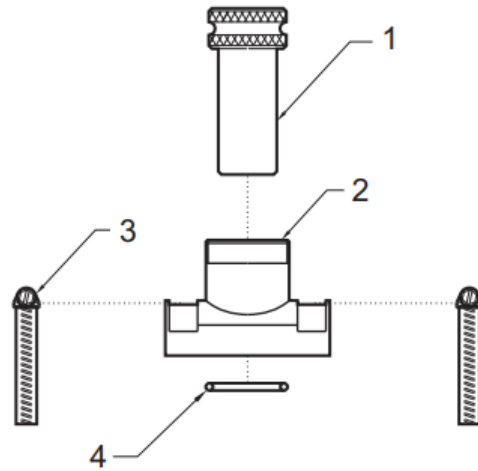
- Easy to install
- No added pressure drop to system

TEE SPECIFICATIONS

- Max PSI** - 200 psi (13.8 bar) @ 70F (21C)
- Max Temp** - 140F (60C) @ 0 psi

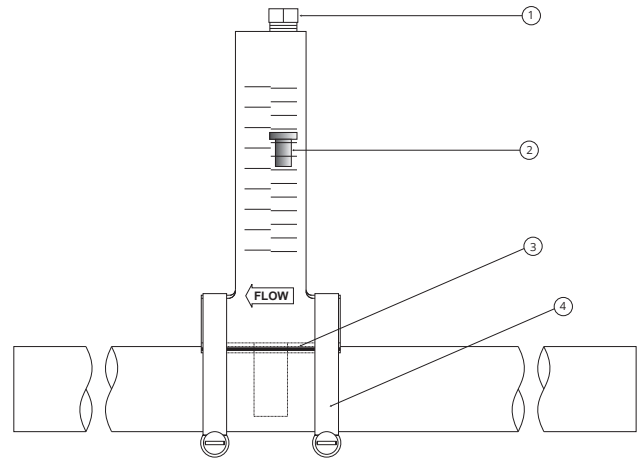
F-1000/F-2000 Fittings Replacement Parts

Item	Model No.	Product Name	Qty. Req.
1	76000-830	Alignment/Service Tool	1
2		See Pipe Fitting Kits, previous page	1
3	F-3028	Clamp #28, for 1.5" pipe	2
	F-3040	Clamp #40, for 2" pipe	2
	F-3048	Clamp #48, for 2.5" pipe	2
	F-3025	Clamp #52, for 3" pipe	2
	F-3072	Clamp #72, for 4" pipe	2
	F-3116	Clamp #116, for 6" pipe	2
	F-3152	Clamp #152, for 8" pipe	2
	F-3188	Clamp #188, for 10" pipe	2
	F-3224	Clamp #224, for 12" pipe	2
4	90003-108	O-ring / FKM for 1.5", 2", 3"	1
	90003-114	O-ring / FKM for 2.5", 4", 6", 8", 10", 12"	1
	90003-109	O-ring / EP for 1.5", 2", 3"	1
	90003-135	O-ring / EP for 2.5", 4", 6", 8", 10", 12"	1



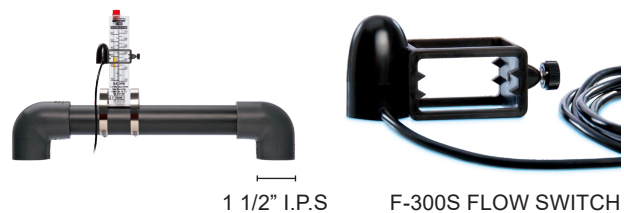
F-300 Replacement Parts

Item	Model No.	Product Name	Qty. Req.
1	F-3005	Cap Plug For all F-300, D-300 & U-300	1
2	F-3020	Long Float, red PVDF 1" through 1.25"	1
	F-3022	Short Float, red PVDF 1.5" through 8"	1
3	F-3003	Gasket Seal 1" through 4"	1
	F-3004	Gasket Seal 6" through 8"	1
4	90008-667	Mounting Clamp F-30100P, F-30125P	2
	90008-652	Mounting Clamp F-30200P, F-30150P	2
	90008-013	Mounting Clamp D-30150P, U-30150P	2
	90008-668	Mounting Clamp F-30250P	2
	90008-015	Mounting Clamp D-30200P, U-30200P	2
	90008-669	Mounting Clamp F-30300P	2
	90008-673	Mounting Clamp F-30400P	2
	90008-674	Mounting Clamp F-30600P	2
	90008-675	Mounting Clamp F-30800P	2



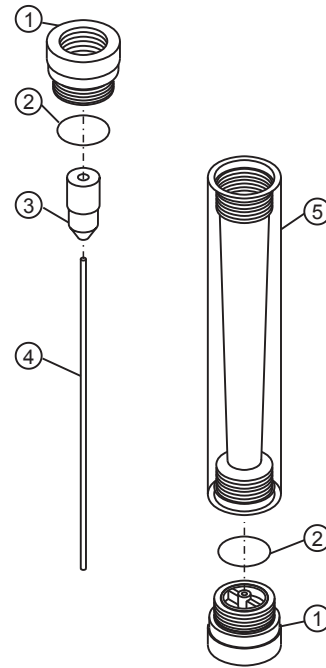
F-300S Flow Switch

MODEL NO.	PIPE SIZES
F-300S	1" - 2"
F-300SL	2-1/2" - 4"



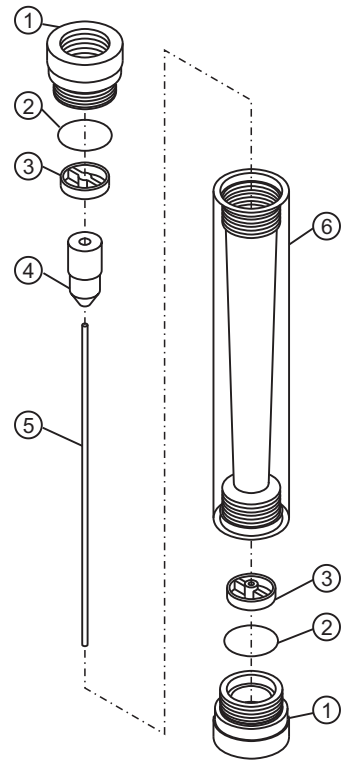
F-400 Replacement Parts

Item	Model No.	Product Name	Qty. Req.
1	F-4019	1/4" FPT Adapter (PP)	2
	F-4001NS	3/8" FPT Adapter (PP)	2
	F-4003NS	1/2" FPT Adapter (PP)	2
2	90003-119	O-ring, 117, (Viton)	2
	90003-142	O-ring, 117, (EP)	2
3	-	Float (SS)	1
4	F-4004	Guide wire, (SS)	1
5	-	Meterbody (Acrylic)	1



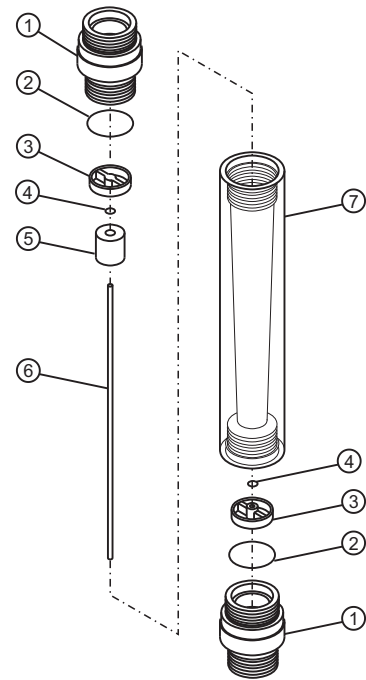
F-410 Replacement Parts

Item	Model No.	Product Name	Qty. Req.
1	F-4009N	3/4" FPT Adapter (PP)	2
	F-4011	1" FPT Adapter (PP)	2
2	F-4010K	O-ring, 124 (Viton)	2
	F-4010X	O-ring, 124 (EP)	2
3	F-4013PP	Wire holder (PP)	2
4	-	Float (SS)	1
5	F-4012	Guide Wire (SS)	1
6	-	Meterbody (Acrylic)	1



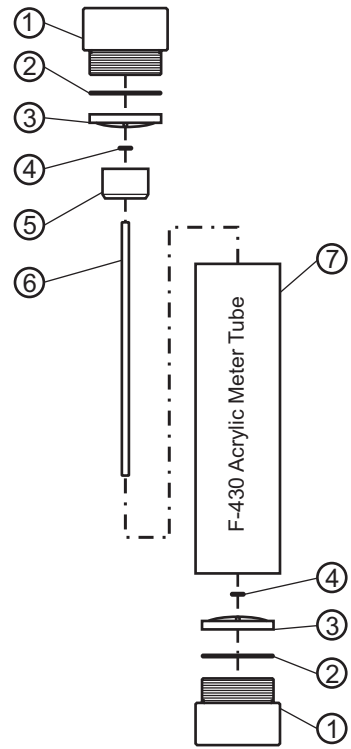
F-420 Replacement Parts

Item	Model No.	Product Name	Qty. Req.
1	76001-028	1.0" FPT Adapter (PVC)	2
	76001-026	1.5" MPT Adapter (PVC)	2
2	2-127V	O-ring, 127 (Viton)	2
	90003-154	O-ring, 127 (EP)	2
3	91001-159	Wire holder (PSF)	2
4	2-006A	O-ring, 006 (Aflas)	2
	2-006EB	O-ring, 006 (EP)	2
5	-	Float (SS)	1
6	F-4212	Guide Wire (SS)	1
7	-	Meterbody (Acrylic)	1



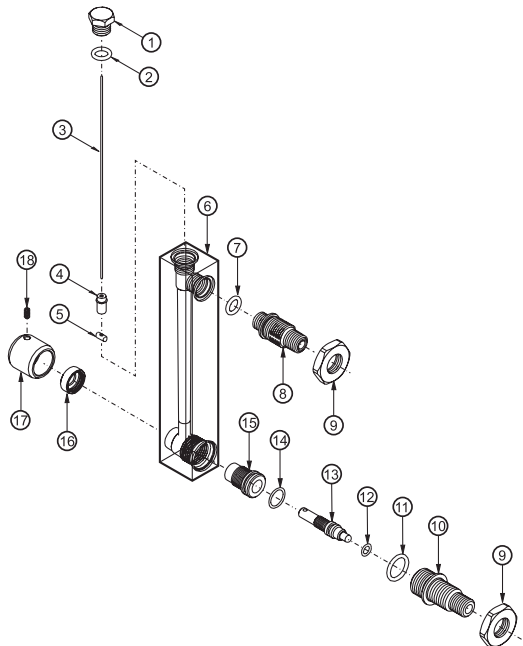
F-430 Replacement Parts

Item	Model No.	Product Name	Qty. Req.
1	76001-226	1.5" female NPT adapter (PVC)	2
	76001-216	2" female NPT adapter (PVC)	2
2	90003-118	O-ring, 142 (Viton)	2
	90003-151	O-ring, 142 (EP)	2
3	91001-198	Wire Holder (PSF)	2
4	90003-140	O-ring, 108 (Aflas)	2
	2-108EB	O-ring, 108 (EP)	2
5	-	Float (SS)	1
6	90007-626	Guidewire (SS)	1
7	-	Meterbody (Acrylic)	1



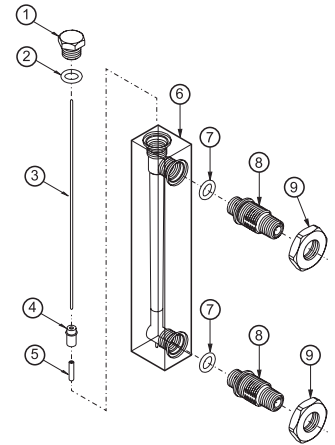
F-550 Replacement

Item	Product Name	F-55250LA	F-55375LA F-55376LA	F-55500LA	F-55750LA	F-55005LA, F-55010LA F-55015LA, F-55200LA	Qty. Req.
1	Cap	76001-080	91001-032	91001-032	91001-033	91001-160	1
2	O-ring (cap), Viton	90003-072	90003-081	90003-081	90003-082	90003-079	1
	O-ring (cap), EP	90003-574	90003-038	90003-038	90003-039	90003-058	1
3	Guide wire	76001-108	76001-109	76001-109	76001-110	76001-111	1
4	Float	-	-	-	-	-	1
5	Float stop bottom	-	-	-	-	-	1
6	Body	-	-	-	-	-	1
7	O-ring, Viton (adapter)	90003-072	90003-034	90003-034	90003-081	90003-644	1
	O-ring, EP (adapter)	90003-574	90003-033	90003-033	90003-038	90003-645	1
8	Adapter	76001-079	91001-141	91001-142	91001-143	91001-144	1
9	Lock nut	91001-153	91001-153	91001-154	91001-171	91001-172	2
10	Inlet Adapter	76001-153	91001-173	91001-174	91001-175	91001-176	1
11	O-ring, Viton inlet adapter	90003-034	90003-045	90003-045	90003-644	90003-082	1
	O-ring, EP inlet adapter	90003-033	90003-610	90003-610	90003-645	90003-039	1
12	O-ring, Viton valve stem	90003-004	90003-010	90003-010	90003-072	90003-113	1
	O-ring, EP valve stem	90003-598	90003-597	90003-597	90003-574	90003-633	1
13	Valve stem	76001-082	76001-088	76001-088	76001-094	76001-104	1
14	O-ring, Viton valve body	90003-014	90003-081	90003-081	90003-017	90003-021	1
	O-ring, EP valve body	90003-600	90003-038	90003-038	90003-016	90003-020	1
15	Valve body	76001-081	76001-086	76001-086	76001-093	76001-103	1
16	Retainer cap	76001-084	76001-090	76001-090	76001-095	76001-106	1
17	Knob valve	76001-083	76001-089	76001-089	76001-097	76001-105	1
18	Set screw	90011-056	90011-117	90011-117	90011-117	90011-117	1



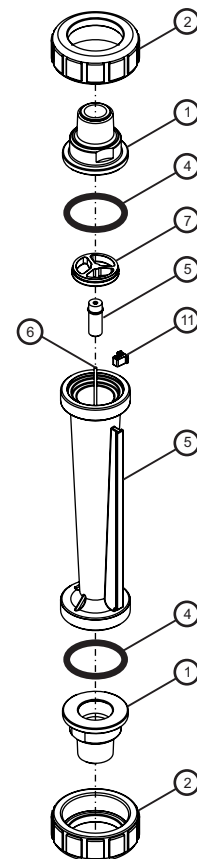
F-550 Replacement

Item	Product Name	F-55250L	F-55375L F-55376L	F-55500L	F-55750L	F-55005L, F-55010L F-55015L, F-55200L	Qty. Req.
1	Cap	76001-080	91001-032	91001-032	91001-033	91001-160	1
2	O-ring (cap), Viton	90003-072	90003-081	90003-081	90003-082	90003-079	1
	O-ring (cap), EP	90003-574	90003-038	90003-038	90003-039	90003-058	1
3	Guide wire	90007-634	90007-534	90007-534	90007-535	90007-606	1
4	Float	-	-	-	-	-	1
5	Float stop bottom	-	-	-	-	-	1
6	Body	-	-	-	-	-	1
7	O-ring, Viton (adapter)	90003-072	90003-034	90003-034	90003-081	90003-644	2
	O-ring, EP (adapter)	90003-574	90003-033	90003-033	90003-038	90003-6445	2
8	Adapter	76001-079	91001-141	91001-142	91001-143	91001-144	2
9	Lock nut	91001-153	91001-153	91001-154	91001-171	91001-172	2



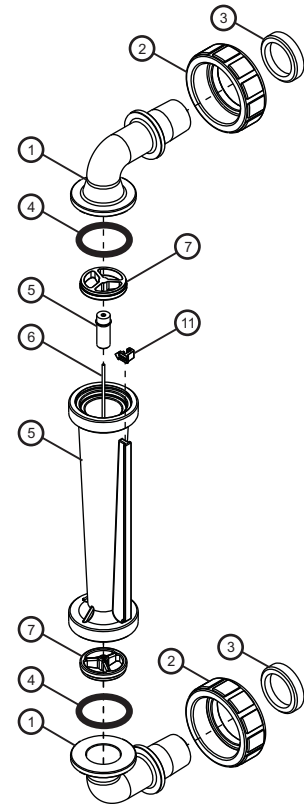
F-440 (In-Line) Replacement Parts

Item	Model No.	Product Name	Qty. Req.
1	F-44N07	3/8" Male NPT in-line adapter, Polysulfone	2
	F-44N08	1/2" Male NPT in-line, Polysulfone	2
	F-44N09	3/4" Male NPT in-line, Polysulfone, large body	2
	F-45N013	1/2" Male NPT in-line, Polysulfone, large body	2
2	F-44N05	3/8" and 1/2" Half Union, Nylon	2
	F-44N06	3/4" Half Union, Nylon	2
4	90003-152	3/8" and 1/2" O-ring seal, Viton	2
	90003-627	3/8" and 1/2" O-ring seal, EP	2
	90003-082	3/4" O-ring seal, Viton	2
	F-5026X	3/4" O-ring seal, EP	2
5	N/A	Meterbody and Float not sold separately	1
6	F-44N14	3/8" and 1/2" Guide Rod, 316 Stainless Steel	1
	F-44N15	3/4" Guide Rod, 316 Stainless Steel	1
7	F-45N007	1/2" Guide Rod holder, Polysulfone	2
	F-45N019	3/4" Guide Rod holder, Polysulfone	2
11	F-45N043	Indicator, Red	1



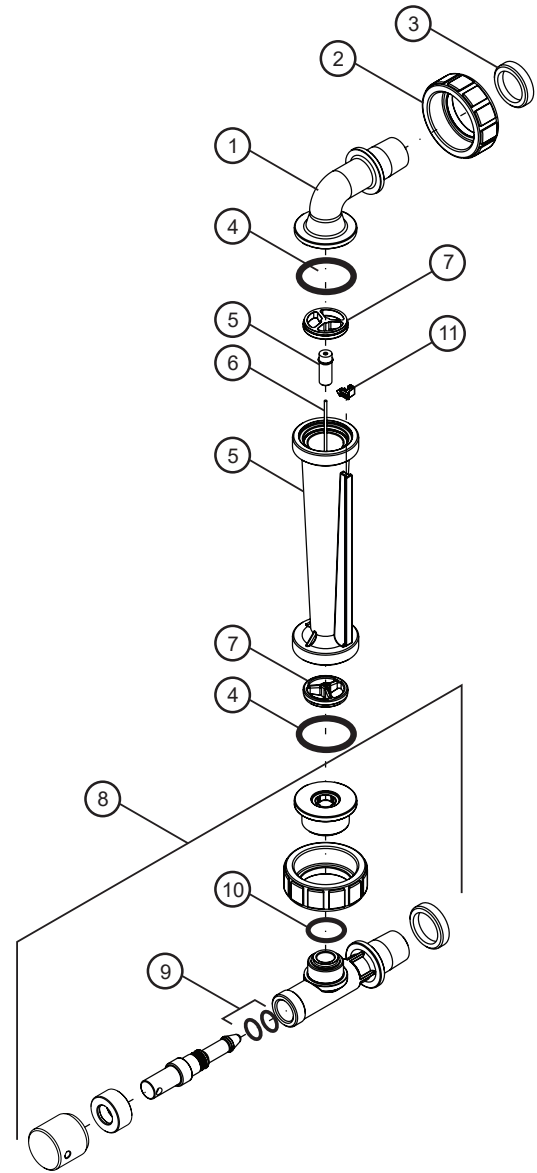
F-440E Elbow (Panel Mount) Replacement Parts

Item	Model No.	Product Name	Qty. Req.
1	F-44N40	3/8" Male NPT 90° Elbow, Polysulfone	2
	F-44N20	1/2" Male NPT 90° Elbow, Polysulfone	2
	F-44N21	3/4" Male NPT 90° Elbow, Polysulfone	2
	F-44N42	1/2" Male NPT 90° Elbow, Polysulfone	2
2	F-44N05	3/8" and 1/2" Half Union, Nylon	2
	F-44N06	3/4" Half Union, Nylon	2
3	F-4427A	3/8" and 1/2" Panel mount lock nut	2
	F-4428A	3/4" Panel mount lock nut	2
4	90003-152	3/8" and 1/2" O-ring seal, FKM	2
	90003-627	3/8" and 1/2" O-ring seal, EP	2
	90003-082	3/4" O-ring seal, FKM	2
	F-5026X	3/4" O-ring seal, EP	2
5	N/A	Meterbody and Float (sold together)	1
6	F-44N14	3/8" & 1/2" Guide Rod, 316 SS	1
	F-44N15	3/4" Guide, 316 SS	1
7	F-45N007	1/2" Guide Rod holder, Polysulfone	2
	F-45N019	3/4" Guide Rod holder, Polysulfone	2
11	F-45N043	Indicator, Red	1



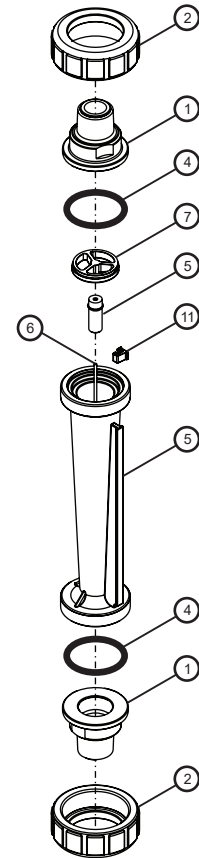
F-440A - Adjustable (Panel Mount)

Item	Model No.	Product Name	Qty. Req.
1	F-44N40	3/8" Male NPT 90° Elbow, Polysulfone	2
	F-44N20	1/2" Male NPT 90° Elbow, Polysulfone	2
	F-44N21	3/4" Male NPT 90° Elbow, Polysulfone	2
	F-44N42	1/2" Male NPT 90° Elbow, Polysulfone	2
2	F-44N05	3/8" and 1/2" Half Union, Nylon	2
	F-44N06	3/4" Half Union, Nylon	2
3	F-4427A	3/8" and 1/2" Panel mount lock nut	2
	F-4428A	3/4" Panel mount lock nut	2
4	90003-152	3/8" and 1/2" O-ring seal, FKM	2
	90003-627	3/8" and 1/2" O-ring seal, EP	2
	90003-082	3/4" O-ring seal, FKM	2
	F-5026X	3/4" O-ring seal, EP	2
5	N/A	Meterbody and Float (sold together)	1
6	F-44N14	3/8" & 1/2" Guide Rod, 316 SS	1
	F-44N15	3/4" Guide Rod, 316 SS	1
7	F-45N007	1/2" Guide Rod holder, Polysulfone	2
	F-45N019	3/4" Guide Rod holder, Polysulfone	2
8	F-44N40-1	3/8" M/NPT Valve Assm. Sm, Poly, FKM seal	1
	F-44N40-2	1/2" M/NPT Valve Assm. Sm, Poly, FKM seal	1
	F-45N031-1	3/8" M/NPT Valve Assm. Lg, Poly, FKM seal	1
	F-45N031-2	1/2" M/NPT Valve Assm. Lg, Poly, FKM seal	1
	F-45N031-3	3/4" M/NPT Valve Assm. Lg, Poly, FKM seal	1
9	90003-010	O-Ring, FKM	2
	90003-597	O-Ring, EP	2
10	90003-071	O-Ring, FKM	1
	90003-018	O-Ring, EP	1
11	F-45N043	Indicator, Red	1



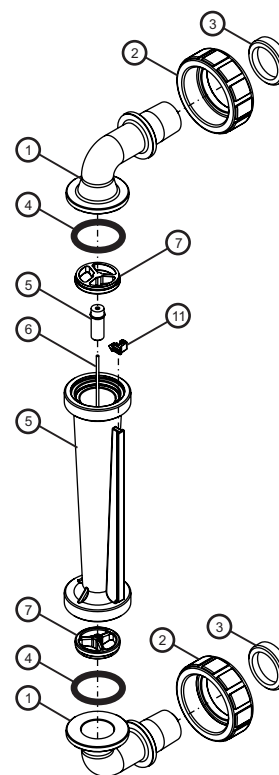
F-450 (In-Line) Replacement Parts

Item	Model No.	Product Name	Qty. Req.
1	F-45011N-2	3/8" Male NPT in-line adapter, Polysulfone	2
	F-45N013	1/2" Male NPT in-line, Polysulfone	2
	F-44N09	3/4" Male NPT in-line, Polysulfone	2
2	F-44N06	3/4" Half Union, Nylon	2
4	90003-082	3/4" O-ring seal, Viton	2
	90003-039	3/4" O-ring seal, EP	2
5	N/A	Meterbody and Float not sold separately	1
6	F-45N005	F-45375, F-45376, F-45500 Guide Rod 316 SS	1
	F-45N021	F-45750 Guide Rod, 316 SS	1
7	F-45N019	Guide Rod holder, Polysulfone	2
11	F-45N043	Indicator, Red	1



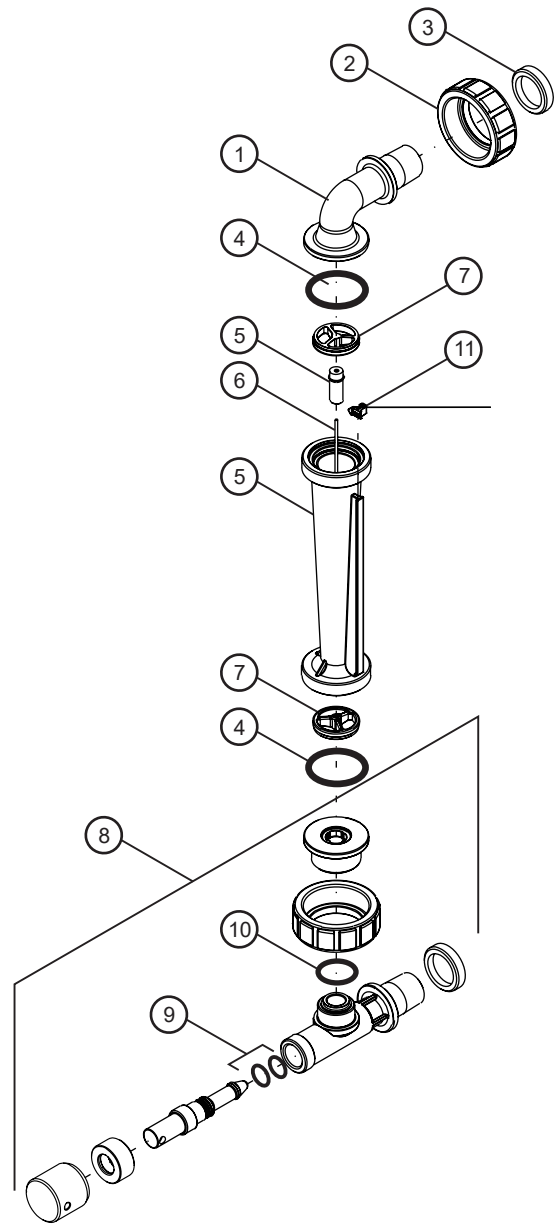
F-450NE Elbow (Panel Mount) Replacement Parts

Item	Model No.	Product Name	Qty. Req.
1	F-44N41	3/8" Male NPT 90° Elbow, Polysulfone	2
	F-44N42	1/2" Male NPT 90° Elbow, Polysulfone	2
	F-44N21	3/4" Male NPT 90° Elbow, Polysulfone	2
2	F-44N06	3/4" Half Union, Nylon	2
3	F-4427A	3/8" and 1/2" Panel mount lock nut	2
	F-4428A	3/4" Panel mount lock nut	2
4	90003-082	O-ring seal, Viton	2
	90003-039	O-ring seal, EP	2
5	N/A	Meterbody and Float not sold separately	1
6	F-45N005	45375, F-45376, F-45500 Guide Rod 316 SS	1
	F-45N021	F-45750 Guide Rod, 316 SS	1
7	F-45N019	Guide Rod holder, Polysulfone	2
11	F-45N043	Indicator, Red	1



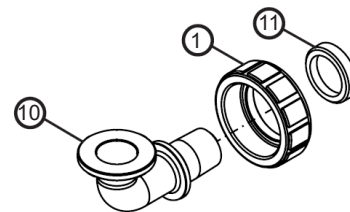
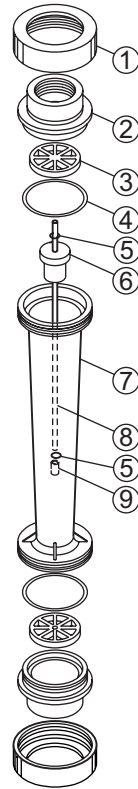
F-450NA Adjustable (Panel Mount)

Item	Model No.	Product Name	Qty. Req.
1	F-44N41	3/8" Male NPT 90° Elbow, Polysulfone	1
	F-44N42	1/2" Male NPT 90° Elbow, Polysulfone	1
	F-44N21	3/4" Male NPT 90° Elbow, Polysulfone	1
2	F-44N06	3/4" Half Union, Nylon	1
3	F-4427A	3/8" and 1/2" Panel mount lock nut	1
	F-4428A	3/4" Panel mount lock nut	1
4	90003-082	O-ring seal, Viton	2
	90003-039	O-ring seal, EP	2
5	N/A	Meter body and Float not sold separately	1
6	F-45N005	F-45375, F-45376, F-45500 Guide Rod, 316 SS	1
	F-45N021	F-45750 Guide Rod, 316 SS	1
7	F-45N019	Guide Rod holder, Polysulfone	2
8	F-45N031-1	3/8" M/NPT Needle Valve Assm. large, Poly, Viton Seals	1
	F-45N031-2	1/2" M/NPT Needle Valve Assm. large, Poly, Viton Seals	1
	F-45N031-3	3/4" M/NPT Needle Valve Assm. large, Poly, Viton Seals	1
9	90003-010	O-ring, Viton	2
	90003-597	O-ring, EP	2
10	90003-071	O-ring, Viton	1
	90003-018	O-ring, EP	1
11	F-45N043	Indicator, Red	1



F-451 Replacement Parts

Item	Model No.	Product Name	Qty. Req.
1	F-45038N	Union Nut	2
2	F-45030N	Adapter, vertical, 1" F/NPT (PSF)	2
	F-45036	Adapter, vertical, 1-1/2" M/NPT (PVC)	2
3	F-45025	Wireholder 1-10, 2-20 (PSF)	2
	F-45025-2	LG Wireholder 3-30, 4-40 (PSF)	2
4	2-136V	O-Ring 2-136 (Viton)	2
	2-136EB	O-Ring 2-136 (EP)	
5	2-006A	Float Stop .5-6, 1-10, 2-20 (Aflas)	2
	2-006E	Float Stop .5-6, 1-10, 2-20 (EP)	2
	2-008V	Large Float Stop, 3-30, 4-40 (Aflas)	2
	2-008E	Large Float Stop, 3-30, 4-40 (EP)	2
6	-	Float (SS)	1
7	-	Meterbody (PSF)	1
8	F-45028	Guide Wire, .5-6, 1-10, 2-20, (SS)	1
	F-45028-2	Guide Wire, 3-30, 4-40 (SS)	1
9	F-45046	Wireholder Bottom (PSF)	1
10	F-45031	1" Male NPT 90° Elbow, Polysulfone	2
11	F-45032	Panel Mount Lock Nut, PVC	2



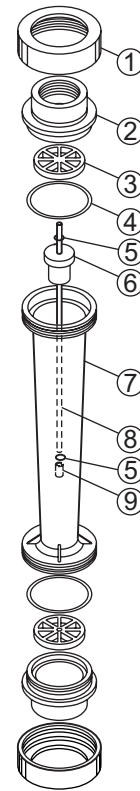
Panel Mount Elbow Option

F-452 Replacement Parts

Item	Model No.	Product Name	Qty. Req.
1	F-452004N	Union Nut (Nylon)	2
2	F-452330N	2.0" FNPT Adapter (PSF)	2
3	F-452002	Wireholder (PSF)	2
4	F-452043N	O-ring (Viton)	2
	F-452043NE	O-ring (EP)	2
5	2-108A	O-ring (Aflas)	2*
	2-108EB	O-ring (EP)	2*
6	-	Float (SS)	1
7	-	Meterbody (PSF)	1
8	F-452287N	Guide Wire (SS)	1
9	F-452332	Float Stop (Polyethylene)	2*

Note: Float and Body only provided with new units.

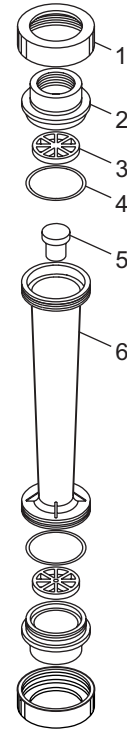
* Actually Qty may depend on specific model.



F-460 Replacement Parts

Item	Model No.	Product Name	Qty. Req.
1	76001-012	Union Nut (PVC)	2
	90007-158	Union Nut (ALUM)	2
2	76001-037	.50" FPT Adapter (PVC)	2
	76001-004	.50" FPT Adapter (PVDF)	2
	76001-042	.75" FPT Adapter (PVC)	2
	76000-982	.75" FPT Adapter (PVDF)	2
3	91001-146	Float Stop (PSF)	2
4	90003-023	O-ring (Viton)	2
	90003-022	O-ring, (EP)	2
5	-	Float (PTFE)	1
6	-	Body (PSF)	1

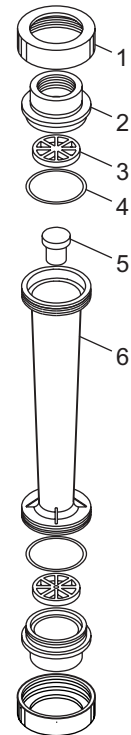
Note: Float and Body only provided with new units.



F-461 Replacement Parts

Item	Model No.	Product Name	Qty. Req.
1	76001-330	Union Nut (PVC)	2
	90007-640	Union Nut (ALUM)	2
2	76001-260	1.0" FPT Adapter (PVC)	2
	76001-259	1.0" FPT Adapter (PVDF)	2
3	91001-159	Float Stop (PSF)	2
4	90003-134	O-ring (Viton)	2
	90003-138	O-ring (EP)	2
5	-	Float (PTFE)	1
6	-	Body (PSF)	1

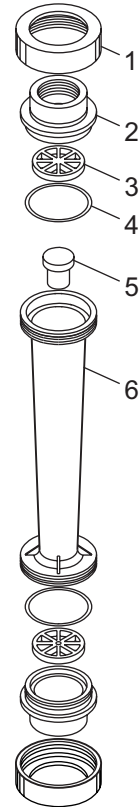
Note: Float and Body only provided with new units.



F-462 Replacement Parts

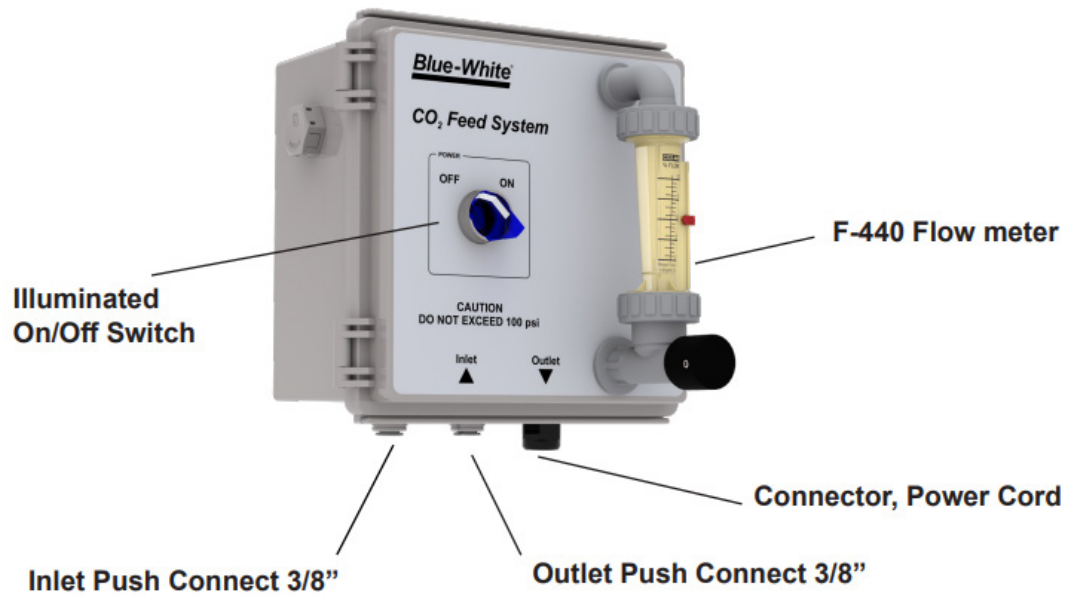
Item	Model No.	Product Name	Qty. Req.
1	F-452004N	Union Nut (Nylon)	2
2	F-452330N	2.0" Adapter FNPT (PSF)	2
3	F-452002	Float Stop (PSF)	2
4	F-452043N	O-Ring (Viton)	2
	F-452043NE	O-ring (EP)	2
5	-	Float (PTFE)	2
6	-	Meterbody (PSF)	1

Note: Float and Body only provided with new units.



CO₂ Feed System Replacement Parts

Item	Part No.	Description	Qty. Req.
1	90010-731	On/Off Switch, Illuminated	1
2	71010-935	F-440 Flow Meter	1
3	90018-022	3/8 in. Polyurethane Tubing	1
4	90018-010	Push Connector, Elbow	2
5	90010-733	Solenoid Valve, SS	1
6	90010-110	Power Cord, 6 ft	1
7	90008-035	Connector, Liquid Tight, Power Cord	1
8	90018-009	Push Connector, Inlet/Outlet	2



Notes:

Notes:

Notes:

