

# AQUATICS CATALOG

2024 Rev. 1 03/25/2024



**Blue-White**<sup>®</sup>

**Revision 1 update (03/25//24) includes the following modifications and updates:**

- 1. CO<sup>2</sup> Feed System now includes injector with standard shipment.**
- 2. C-600P - 220V model now includes power cord in place of junction box.**
- 3. C-600 - correction - 45rpm / 250 rpm models not available in 12VDC.**
- 4. A1A pump no longer includes Tube Tool.**
- 5. Addition of F-400 and F-440 Flow Meters.**
- 6. Added F-1000 / F-2000 flow rate info to page 18, 20.**



+1 (714) 893 - 8529



[sales@blue-white.com](mailto:sales@blue-white.com)



[customerservice@blue-white.com](mailto:customerservice@blue-white.com)



5300 Business Drive  
Huntington Beach, CA 92649

# Table of Contents

---

<b>POLICY</b>	<b>4</b>
---------------	----------

---

<b>PERISTALTIC PUMPS</b>	<b>5</b>
--------------------------	----------

---

A1A	6
-----	---

---

A2A	8
-----	---

---

A-100NA	10
---------	----

---

Peristaltic Pump Warranty	12
---------------------------	----

---

<b>DIAPHRAGM PUMPS</b>	<b>13</b>
------------------------	-----------

---

C-600P	14
--------	----

---

Diaphragm Pump Warranty	16
-------------------------	----

---

<b>FLOW METERS</b>	<b>17</b>
--------------------	-----------

---

<b>Paddlewheel Flow Meters</b>	
--------------------------------	--

---

F-1000	18
--------	----

---

F-2000	20
--------	----

---

<b>Variable Area Flow Meters</b>	
----------------------------------	--

---

F-300	22
-------	----

---

F-300M	24
--------	----

---

R-300	26
-------	----

---

F-400	28
-------	----

---

F-440	30
-------	----

---

Flow Meter Warranty	32
---------------------	----

---

<b>TANKS AND ACCESSORIES</b>	<b>33</b>
------------------------------	-----------

---

Star III Tank System	34
----------------------	----

---

Chemical Tank	35
---------------	----

---

Pump Accessories	36
------------------	----

---

<b>CO<sub>2</sub> FEED SYSTEM</b>	<b>38</b>
-----------------------------------	-----------

---

<b>REPLACEMENT PARTS</b>	<b>41</b>
--------------------------	-----------

---

# POLICY

## DEALERS

Please contact the factory for the stocking outlet nearest you.

## MINIMUM ORDER

The minimum acceptable order is \$150.00. There are no exceptions.

## TERMS

Terms are NET 30 DAYS on approved credit. We do not ship orders to accounts with past-due balances. If you have not established open account terms with Blue-White, you may prepay your order or pay with a credit card. All major credit cards are accepted.

## PAYMENT POLICY

Net amount of invoice is due in full according to terms. A service charge of 1.5% will be added to outstanding balances beyond the term limit.

Any account over 45 days will be subject to credit hold.

## FREIGHT

Freight allowed on all orders \$10,000 (USD) or greater. For all allowable items, our normal means of shipment is via United Parcel Service. Should you wish an alternate means of shipment, you must advise the factory at the time you place your order. All shipments ship Ex Works. Buyer assumes all responsibilities for transit and delivery.

## RETURNED GOODS

Any merchandise being returned to the factory, regardless of the reason for the return, must have a Returned Merchandise Authorization number. Contact our in-house sales staff for an RMA number. The factory does not accept C.O.D. shipments.

All returns are subject to a restock charge.

Blue-White does not permit the return of products because of overstock, discontinued products, etc. Under no circumstance will the factory consider the return of products over six months old from date of original factory shipment.

## ORDER ADD-ON

Please be certain your order is complete when placed. Since orders are immediately entered into the computer as received, we may not be able to "add-on" later. Your understanding of this situation, and your cooperation are most appreciated. Any changes to a current order may result in extended lead times.

Possession of this price schedule does not guarantee the right to purchase directly from the factory. F.O.B. Huntington Beach, CA

See instruction manual at [www.blue-white.com](http://www.blue-white.com) for detailed installation and operating requirements.

## PROCEDURE FOR IN WARRANTY REPAIR

Warranty service must be performed by the factory or an authorized service center. Contact the factory or local repair center to obtain a RMA (Return Material Authorization) number. It is recommended to include foot strainer and injection/check valve fitting since these devices may be clogged and part of the problem. Decontaminate, dry, and carefully pack the product to be repaired. Please enclose a brief description of the problem and proof of purchase. Prepay all shipping and insurance cost. COD shipments will not be accepted. Damage caused by improper packaging is the responsibility of the sender. When In-Warranty repair is completed, the factory pays for return shipping to the dealer or customer.

## PRODUCT USE WARNING

Blue-White products are manufactured to meet the highest quality standards in the industry. Each product instruction manual includes a description of the associated product warranty and provides the user with important safety information. Purchasers, installers, and operators of Blue-White products should take the time to inform themselves about the safe operation of these products. In addition, Customers are expected to do their own due diligence regarding which products and materials are best suited for their intended applications. BLUE-WHITE is pleased to assist in this effort but does not guarantee the suitability of any particular product for any specific application as Blue-White does not have the same degree of familiarity with the application that the customer/end user has. While BLUE-WHITE will honor all of its product warranties according to their terms and conditions, Blue-White shall only be obligated to repair or replace its defective parts or products in accordance with the associated product warranties.

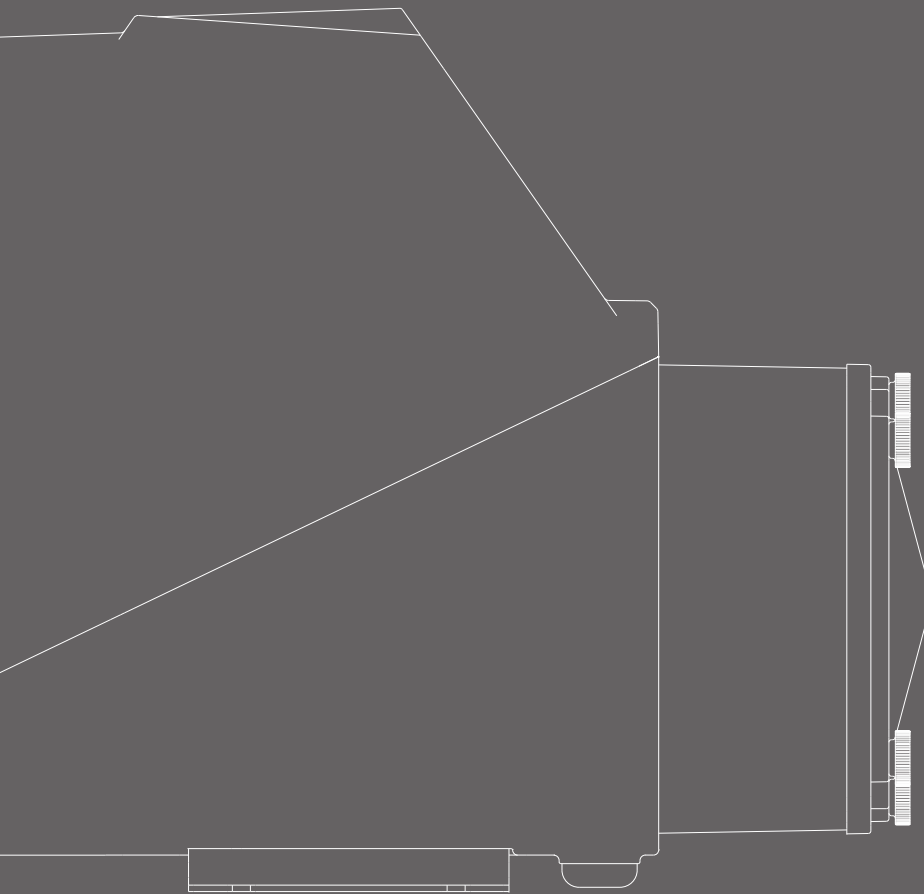
**BLUE-WHITE SHALL NOT BE LIABLE EITHER IN TORT OR IN CONTRACT FOR ANY LOSS OR DAMAGE WHETHER DIRECT, INDIRECT, INCIDENTAL, OR CONSEQUENTIAL, ARISING OUT OF OR RELATED TO THE FAILURE OF ANY OF ITS PARTS OR PRODUCTS OR OF THEIR UNSUITABILITY FOR A GIVEN PURPOSE OR APPLICATION.**

## CHEMICAL RESISTANCE WARNING

BLUE-WHITE offers a wide variety of wetted parts. Purchasers, installers, and operators of Blue-White products must be well informed and aware of the precautions to be taken when injecting or measuring various chemicals, especially those considered to be irritants, contaminants or hazardous. Customers are expected to do their own due diligence regarding which products and materials are best suited for their applications, particularly as it may relate to the potential effects of certain chemicals on Blue-White products and the potential for adverse chemical interactions. Blue-White tests its products with water only. The chemical resistance information included in this instruction manual was supplied to BLUE-WHITE by reputable sources, but Blue-White is not able to vouch for the accuracy or completeness thereof. While BLUE-WHITE will honor all of its product warranties according to their terms and conditions, Blue-White shall only be obligated to repair or replace its defective parts or products in accordance with the associated product warranties.

**BLUE-WHITE SHALL NOT BE LIABLE EITHER IN TORT OR IN CONTRACT FOR ANY LOSS OR DAMAGE, WHETHER DIRECT, INDIRECT, INCIDENTAL, OR CONSEQUENTIAL, ARISING OUT OF OR RELATED TO THE USE OF CHEMICALS IN CONNECTION WITH ANY BLUE-WHITE PRODUCTS.**

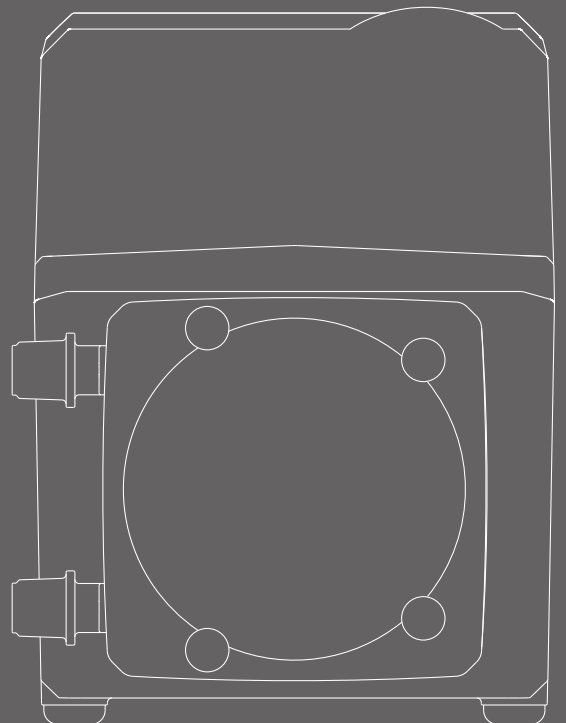
Users of electrical and electronic equipment (EEE) with the WEEE marking per Annex IV of the WEEE Directive must not dispose of end of life EEE as unsorted municipal waste, but use the collection framework available to them for the return, recycle, recovery of WEEE and minimize any potential effects of EEE on the environment and human health due to the presence of hazardous substances. The WEEE marking applies only to countries within the European Union (EU) and Norway. Appliances are labeled in accordance with European Directive 2002/96/EC. Contact your local waste recovery agency for a Designated Collection Facility in your area.



# AQUATICS

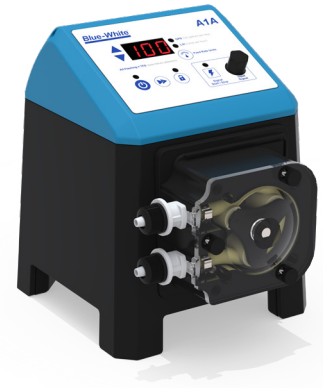
Peristaltic  
Metering Pumps

**Blue-White**<sup>®</sup>



# A1A

## FLEXFLO® Peristaltic Metering Pump



- > Self-Priming peristaltic technology - No vapor lock.
- > Patented Tube Failure Detection senses tube rupture, no false triggering
- > Remote Start/Stop - one non-powered dry contact closure
- > Relay output - single relay (TFD - leak detection)

### Highlights

#### Flow range

.01 - 100 GPD  
.01 - 15.8 LPH

#### Pressures up to

40 PSI  
(2.76 bar)

#### Turndown ratio

10,000 : 1

#### Suction lift

30 ft. of water  
at sea level  
(14.7 atm psi)

#### Exclusive

Tube Failure Detection  
(TFD)

#### Motor

Brushless  
DC

#### Weight

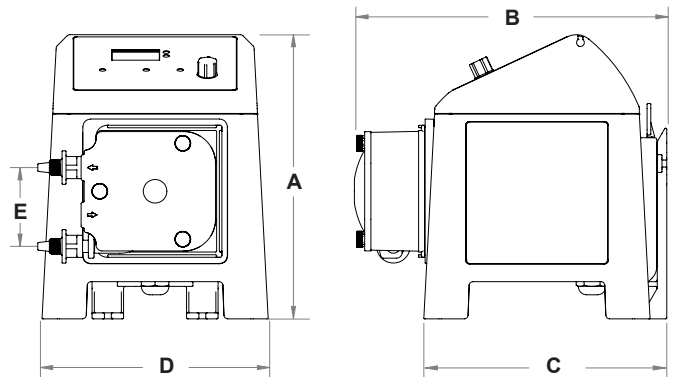
6 lb.  
(2.7 Kg)

#### Warranty

2 Years

### Dimensions

Dim	Inch	cm	Dim	Inch	cm
A	9.46"	24.02	D	7.18"	18.23
B	9.92"	25.19	E	1.5"	3.81
C	7.18"	18.23			



### What's in the box

A1A Acid and Liquid Chlorine Feeder w/ power cord  
One tube assembly  
Suction tube - clear PVC - 10' length (3/8" OD, 1/4" ID) (C-334-6-10)  
Suction strainer (90002-200)  
Suction ceramic weight (C-346)  
Discharge tube - opaque polyethylene - 10' length (3/8" OD, 1/4" ID) (C-335-6-10)  
Discharge injection fitting with check valve, PP/Aflas/FKM (A-014N-6A)  
Mounting hardware kit / wall mount bracket  
Tube nuts (x2)  
Instruction manual

#### Optional Items Not Included:

Spare Tubes or Rollers  
M8 Cable  
Tank



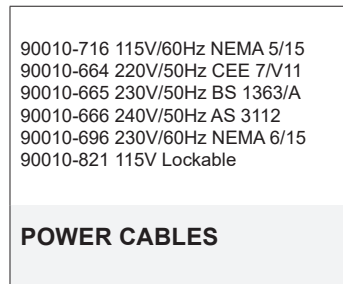
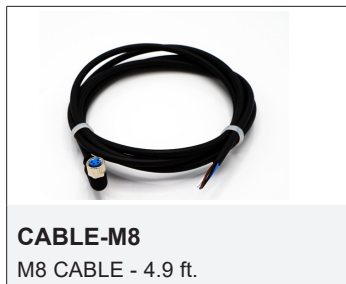
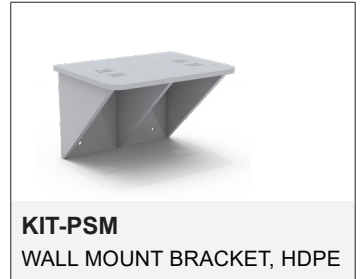
# Model Number Matrix

A1A

## FLEXFLO® Model Number

<b>A1A</b>	FLEXFLO® Peristaltic Metering Pump		
<b>Power Cord</b>			
<b>4</b>	115V 50/60Hz, power cord NEMA 5/15 plug (US) (detachable - 3.9 ft)		
<b>6</b>	220V 50/60Hz, power cord CEE 7/V11 plug (EU) (detachable - 6 ft)		
<b>X</b>	No Power Cord (Power cord is required - See Accessories for power cord options)		
<b>Pump Tube Material, Pump Tube Size, Operating Flow Range</b>			
<b>7T</b>	Flex-A-Prene® .250 ID   .01–100 GPD   40 PSI		
<b>A1A</b>	<b>4</b>	<b>-</b>	<b>7T</b>
<b>Sample Model Number</b>			

## Accessories



Visit Accessory Pages for More Options

# A2A

## FLEXFLO® Peristaltic Metering Pump



- > Peristaltic pump design does not have valves that can clog requiring maintenance
- > Self priming - even against maximum line pressure
- > Patented Tube Failure Detection senses tube rupture, no false triggering
- > Two nylon machined rollers and two alignment rollers for optimum squeeze, unparalleled accuracy, and tube life

### Highlights

**Flow range**

1.32 - 386.1 GPD  
.21 - 60.2 LPH

**Pressures up to**

50 PSI  
(3.5 bar)

**Turndown ratio**

100 : 1

**Suction lift**

30 ft. Water at  
sea level  
(14.7 atm psi)

**Exclusive**

Tube Failure Detection  
(TFD)

**Motor**

Brushed  
DC

**Weight**

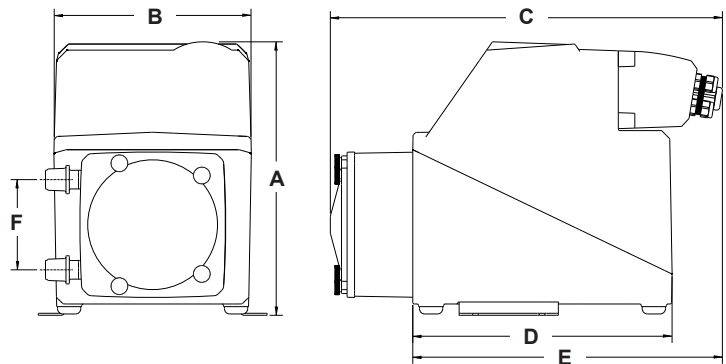
28.4 lb.  
(12.9 Kg)

**Warranty**

2 Years

### Dimensions

Dim	Inch	cm	Dim	Inch	cm
A	10.25"	26	D	9.5"	24.1
B	7.5"	19	E	11"	27.9
C	14"	35.6	F	3.38"	8.6



### What's in the box

A2A Acid and Liquid Chlorine Feeder  
Two tube assemblies (One installed, one spare)  
Suction tube - clear PVC - 10' length (3/8" OD, 1/4" ID) (C-334-6-10)  
Suction strainer, PP (90002-200)  
Suction ceramic weight (C-346)  
Discharge tube - opaque polyethylene - 10' length (3/8" OD, 1/4" ID) (C-335-6-10)  
Discharge injection fitting with check valve, PVDF/Aflas (71000-551)  
Mounting hardware kit / brackets  
Tube nuts (x2)  
Tube Installation Tube  
Instruction manual



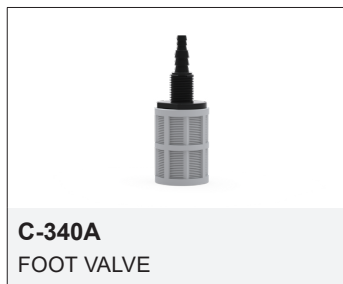
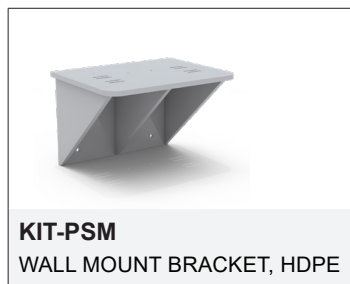


## Model Number Matrix

### FLEXFLO® Model Number

<b>A2A</b>	FLEXFLO® Peristaltic Metering Pump					
<b>Power Cord</b>						
<b>4</b>	115V 50/60Hz, power cord NEMA 5/15 plug (US)					
<b>5</b>	230V 50/60Hz, power cord NEMA 6/15 plug (US)					
<b>6</b>	220V 50/60Hz, power cord CEE 7/V11 plug (EU)					
<b>8</b>	240V 50/60Hz, power cord AS 3112 plug (Australia/New Zealand)					
<b>9</b>	230V 50/60Hz, power cord BS 1363/A plug (UK)					
<b>X</b>	No Power Cord					
<b>Pump Tube Material, Pump Tube Size, Operating Flow Range</b>						
<b>NEE</b>	Flex-A-Prene® .093 ID   1.32–132 GPD   50 PSI					
<b>NGG</b>	Flex-A-Prene® .187 ID   3.84–381.6 GPD   40 PSI					
<b>A2A</b>	<b>2</b>	<b>4</b>	<b>-</b>	<b>S</b>	<b>NEE</b>	<b>Sample Model Number</b>

## Accessories



Visit Accessory Pages for More Options

# A-100NA

## FLEXFLO® Peristaltic Metering Pump



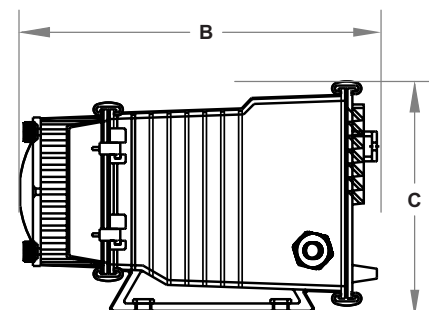
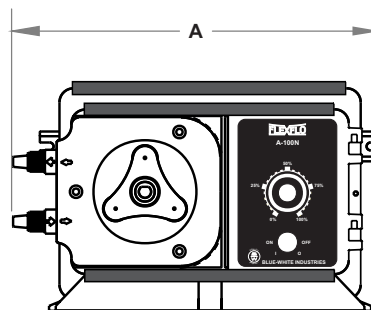
- > Patented Tube Failure Detection senses tube rupture, no false triggering
- > Easy to use dial knob to control output
- > Valox Housing is durable and chemical resistant
- > Adjustable 60 second repeating interval timer

### Highlights

<b>Flow range</b>	<b>Pressures up to</b>	<b>Turndown ratio</b>	<b>Suction lift</b>
.35 - 95.1 GPD 0.06 - 15 LPH	100 PSI (6.9 bar)	20 : 1	30 ft. of water at sea level (14.7 atm psi)
<b>Exclusive</b>	<b>Motor</b>	<b>Weight</b>	<b>Warranty</b>
Tube Failure Detection (TFD)	AC Shaded Pole	10 lb. (4.5 Kg)	1 Year

### Dimensions

Dim	Inch	cm
A	9.375"	23.81
B	9.125"	23.18
C	6.00"	15.24



### What's in the box

A100NA Acid and Liquid Chlorine Feeder  
 Two tube assemblies (one installed, one spare)  
 Suction tube - clear PVC - 5' length (3/8" OD, 1/4" ID) (C-334-6)  
 Suction strainer, PP (90002-200)  
 Suction ceramic weight (C-346)  
 Discharge tube - opaque polyethylene - 5' length (3/8" OD, 1/4" ID) (C-335-6)  
 Discharge injection fitting with check valve, PP/Aflas (A-014N-6A)  
 Mounting hardware kit / wall mount bracket  
 Tube nuts (x2)  
 Instruction manual



# Model Number Matrix

A-100NA

## FLEXFLO® Model Number

<b>A1N</b>	FLEXFLO® Peristaltic Metering Pump						
<b>Maximum Motor RPM</b>							
<b>0</b>	14 RPM						
<b>1</b>	30 RPM						
<b>2</b>	45 RPM						
<b>3</b>	60 RPM						
<b>Power Cord</b>							
<b>0</b>	115V / 60HZ, power cord NEMA 5/15 plug (US)						
<b>1</b>	220V / 50HZ, power cord CEE7/VII plug (EU)						
<b>Input/Output Control</b>							
<b>A</b>	Analog Timer, 60 sec. Cycle - 100% duty						
<b>Pump Tube Material, Pump Tube Size, Flow Rate</b>							
<b>6</b>	3/8" OD Flex-A-Prene®, 100 PSI (14 RPM = 6.9 GPD, 30 RPM = 16.0 GPD, 45 RPM = 24.0 GPD, 60 RPM = 30.1 GPD)						
<b>7</b>	7/16" OD Flex-A-Prene®, 50 PSI (14 RPM = 21.7 GPD, 30 RPM = 52.5 GPD, 45 RPM = 76.1 GPD, 60 RPM = 95.1 GPD)						
<b>A1N</b>	<b>0</b>	<b>0</b>	<b>A</b>	<b>-</b>	<b>6</b>	<b>T</b>	<b>Sample Model Number</b>

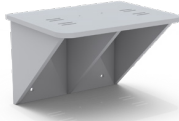
## Accessories



**KIT-S07**  
**KIT-S15**  
**KIT-S30**

\* Includes cover and foot valve

KIT-S07 (7 Gallon), KIT-S15 (15 Gallon), KIT-S30 (30 Gallon)  
STAR III TANKS, PP



**KIT-PSM**  
WALL MOUNT BRACKET, HDPE



**A1-(see spare parts page)**  
Spare Tube Element



**TI40-6V**  
T.I. INJECTOR, 3/8" OD



**C-340A**  
FOOT VALVE



**A-014NK-6A**  
PVDF INJECTOR

Visit [Accessory Pages](#) for more Options

# PERISTALTIC PUMP WARRANTY

## LIMITED WARRANTY

Your Blue-White product is a quality product and is warranted for a specific time from date of purchase (proof of purchase is required). The product will be repaired or replaced at our discretion. Failure must have occurred due to defect in material or workmanship and not as a result of operation of the product other than in normal operation as defined in the product manual. Warranty status is determined by the product's serial label and the sales invoice or receipt. The serial label must be on the product and legible. The warranty status of the product will be verified by Blue-White or a factory authorized service center. Pump Head and roller assembly is warranted against damage from chemical attack when proper TFD (Tube Failure Detection) system instructions and maintenance procedures are followed.

FLEXFLO® A1A and A2A pumps are warranted for 2 years from date of purchase (proof of purchase is required). FLEXFLO® A-100N pumps are warranted for 1 year from date of purchase (proof of purchase is required). Pumps will be repaired or replaced at our discretion. Pump Head and roller assembly is warranted for 2 years against damage from chemical attack when proper TFD (Tube Failure Detection) system instructions and maintenance procedures are followed.

## WHAT IS NOT COVERED

- FLEXFLO® Pump Tube Assemblies and rubber components  
They are perishable and require periodic replacement.
- Pump removal, or re-installation, and any related labor charge.
- Freight to the factory, or service center.
- Products that have been tampered with, or in pieces.
- Damage resulting from misuse, carelessness such as chemical spills on the enclosure, abuse, lack of maintenance, or alteration which is out of our control.
- Damage by faulty wiring, power surges or acts of nature.

BLUE-WHITE does not assume responsibility for any loss, damage, or expense directly or indirectly related to or arising out of the use of its products. Failure must have occurred due to defect in material or workmanship and not as a result of operation of the product other than in normal operation as defined in the pump manual.

Warranty status is determined by the pump's serial label and the sales invoice or receipt. The serial label must be on the pump and legible. The warranty status of the pump will be verified by Blue-White or a factory authorized service center.

## PROCEDURE FOR IN WARRANTY REPAIR

Warranty service must be performed by the factory or an authorized service center. Contact the factory or local repair center to obtain a RMA (Return Material Authorization) number. It is recommended to include foot strainer and injection/check valve fitting since these devices may be clogged and part of the problem. Decontaminate, dry, and carefully pack the product to be repaired. Please enclose a brief description of the problem and proof of purchase. Prepay all shipping and insurance cost. COD shipments will not be accepted. Damage caused by improper packaging is the responsibility of the sender. When In-Warranty repair is completed, the factory pays for return shipping to the dealer or customer.

## PRODUCT USE WARNING

Blue-White products are manufactured to meet the highest quality standards in the industry. Each product instruction manual includes a description of the associated product warranty and provides the user with important safety information. Purchasers, installers, and operators of Blue-White products should take the time to inform themselves about the safe operation of these products. In addition, Customers are expected to do their own due diligence regarding which products and materials are best suited for their intended applications. BLUE-WHITE is pleased to assist in this effort but does not guarantee the suitability of any particular product for any specific application as Blue-White does not have the same degree of familiarity with the application that the customer/end user has. While BLUE-WHITE will honor all of its product warranties according to their terms and conditions, Blue-White shall only be obligated to repair or replace its defective parts or products in accordance with the associated product warranties.

**BLUE-WHITE SHALL NOT BE LIABLE EITHER IN TORT OR IN CONTRACT FOR ANY LOSS OR DAMAGE WHETHER DIRECT, INDIRECT, INCIDENTAL, OR CONSEQUENTIAL, ARISING OUT OF OR RELATED TO THE FAILURE OF ANY OF ITS PARTS OR PRODUCTS OR OF THEIR NONSUITABILITY FOR A GIVEN PURPOSE OR APPLICATION.**

## CHEMICAL RESISTANCE WARNING

BLUE-WHITE offers a wide variety of wetted parts. Purchasers, installers, and operators of Blue-White products must be well informed and aware of the precautions to be taken when injecting or measuring various chemicals, especially those considered to be irritants, contaminants or hazardous. Customers are expected to do their own due diligence regarding which products and materials are best suited for their applications, particularly as it may relate to the potential effects of certain chemicals on Blue-White products and the potential for adverse chemical interactions. Blue-White tests its products with water only. The chemical resistance information included in this instruction manual was supplied to BLUE-WHITE by reputable sources, but Blue-White is not able to vouch for the accuracy or completeness thereof. While BLUE-WHITE will honor all of its product warranties according to their terms and conditions, Blue-White shall only be obligated to repair or replace its defective parts or products in accordance with the associated product warranties.

**BLUE-WHITE SHALL NOT BE LIABLE EITHER IN TORT OR IN CONTRACT FOR ANY LOSS OR DAMAGE, WHETHER DIRECT, INDIRECT, INCIDENTAL, OR CONSEQUENTIAL, ARISING OUT OF OR RELATED TO THE USE OF CHEMICALS IN CONNECTION WITH ANY BLUE-WHITE PRODUCTS.**

Users of electrical and electronic equipment (EEE) with the WEEE marking per Annex IV of the WEEE Directive must not dispose of end of life EEE as unsorted municipal waste, but use the collection framework available to them for the return, recycle, recovery of WEEE and minimize any potential effects of EEE on the environment and human health due to the presence of hazardous substances. The WEEE marking applies only to countries within the European Union (EU) and Norway. Appliances are labeled in accordance with European Directive 2002/96/EC. Contact your local waste recovery agency for a Designated Collection Facility in your area.

# AQUATICS

## Diaphragm Pumps

**Blue-White**<sup>®</sup>

# C-600P

## CHEM-FEED® Diaphragm Metering Pump



- > All ball bearing, permanently lubricated gear motor
- > Double-ball inlet and outlet cartridge type ceramic check valves
- > Stroke adjustment from 4-100%
- > Fixed speed
- > Mechanical Cam
- > Output Adjustment

### Highlights

**Outputs**

1 - 21.5 GPH  
4 - 81.4 LPH

**Pressures up to**

125 PSI  
(8.6 bar)

**Turndown ratio**

27 : 1

**Max. fluid temp.**

130 °F  
(54 °C)

**Max. suction lift**

10 ft. Water 0 psig

**Motor**

AC Shaded Pole

**Weight**

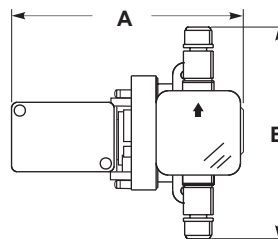
8 lb.  
(3.63 Kg)

**Warranty**

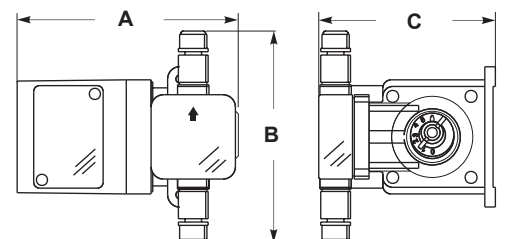
1 Year

### Dimensions

Dim	DC Powered Models		AC Powered Models	
	Inch	cm	Inch	cm
A	7.22"	18.3	10.25"	26
B	6.25"	15.9	7.5"	19
C	5.31"	13.5	14"	35.6



DC Powered Models



AC Powered Models

### What's in the box

C-600P Diaphragm Metering Pump  
 Discharge injection fitting with check valve (C-395N-6A)  
 Discharge tube – opaque polyethylene – 5' length (3/8" OD, 1/4" ID) (C-335-6)  
 Suction foot valve / strainer (C-340A)  
 Suction tube – clear PVC – 5' length (3/8" OD, 1/4" ID) (C-334-6)  
 Suction ceramic weight (C-346)  
 Instruction manual



## Model Number Matrix

C600P

### Model Number

<b>C-6</b>	CHEM-FEED® Diaphragm Model Number				
<b>Maximum Motor RPM</b>					
<b>14</b>	14 RPM	<b>60</b>	60 RPM		
<b>30</b>	30 RPM	<b>125</b>	125 RPM		
<b>45</b>	45 RPM (Not available in 12V DC)	<b>250</b>	250 RPM (Not available in 12V DC)		
<b>Power Supply Voltage<sup>1</sup></b>					
<b>115VAC</b>	115V60Hz	<b>24VAC</b>	24V60Hz		
<b>220VAC</b>	220V50Hz (20% less output)	<b>12VDC</b>	12V DC		
<b>230VAC</b>	230V60Hz	<b>24VDC</b>	24V DC		
<b>240VAC</b>	240V60Hz				
<b>C-6</b>	<b>14</b>	<b>P</b>	<b>-</b>	<b>115VAC</b>	Sample Model Number

1. All models come with junction box only for wiring, except 220V models which include power cord/plug only.

#### Optional Accessories and Components

70000-193 PTFE coated FKM diaphragm  
 90010-110 Power Cord with Plug, 115V  
 K-568A-4 Bullet Valve (Double Ball), Aflas - 4 Pack  
 K-568E-4 Bullet Valve (Double Ball), EP - 4 pack

Visit Accessory Pages for More Options

## Output Specifications

### DC powered models

Maximum Output at 0 PSI					
Strokes/Min RPM	Max PSI	GPD	GPH	LPH	OZ/MIN
14	125	33	1.4	5.3	2.9
30	125	74	3.1	11.7	6.5
45	80	112	4.7	17.8	10.0
60	60	148	6.2	23.5	13.2
125	30	316	13.2	49.9	28.1
250	10	516	21.5	81.4	45.8

### AC powered models

Maximum Output at 0 PSI					
Strokes/Min RPM	Max PSI	GPD	GPH	LPH	OZ/MIN
14	125	24	1.0	3.8	2.7
30	125	58	2.4	9.3	5.2
45	80	91	3.8	14.9	8.1
60	60	110	4.6	17.4	9.8
125	30	237	9.9	37.0	21.1
250	10	389	16.2	61.4	34.6

# DIAPHRAGM PUMP WARRANTY

## LIMITED WARRANTY

Your Blue-White product is a quality product and is warranted for a specific time from date of purchase (proof of purchase is required). The product will be repaired or replaced at our discretion. Failure must have occurred due to defect in material or workmanship and not as a result of operation of the product other than in normal operation as defined in the product manual. Warranty status is determined by the product's serial label and the sales invoice or receipt. The serial label must be on the product and legible. The warranty status of the product will be verified by Blue-White or a factory authorized service center.

CHEM-FEED®, C-600 and C-1500 Pumps are warranted for 1 year from date of purchase (proof of purchase is required). Pumps will be repaired or replaced at our discretion.

## WHAT IS NOT COVERED

- Rubber components and wear components.  
They are perishable and require periodic replacement.
- Pump removal, or re-installation, and any related labor charge.
- Freight to the factory, or service center.
- Products that have been tampered with, or in pieces.
- Damage resulting from misuse, carelessness such as chemical spills on the enclosure, abuse, lack of maintenance, or alteration which is out of our control.
- Damage by faulty wiring, power surges or acts of nature.

BLUE-WHITE does not assume responsibility for any loss, damage, or expense directly or indirectly related to or arising out of the use of its products. Failure must have occurred due to defect in material or workmanship and not as a result of operation of the product other than in normal operation as defined in the pump manual.

Warranty status is determined by the pump's serial label and the sales invoice or receipt. The serial label must be on the pump and legible. The warranty status of the pump will be verified by Blue-White or a factory authorized service center.

## PROCEDURE FOR IN WARRANTY REPAIR

Warranty service must be performed by the factory or an authorized service center. Contact the factory or local repair center to obtain a RMA (Return Material Authorization) number. It is recommended to include foot strainer and injection/check valve fitting since these devices may be clogged and part of the problem. Decontaminate, dry, and carefully pack the product to be repaired. Please enclose a brief description of the problem and proof of purchase. Prepay all shipping and insurance cost. COD shipments will not be accepted. Damage caused by improper packaging is the responsibility of the sender. When In-Warranty repair is completed, the factory pays for return shipping to the dealer or customer.

## PRODUCT USE WARNING

Blue-White products are manufactured to meet the highest quality standards in the industry. Each product instruction manual includes a description of the associated product warranty and provides the user with important safety information. Purchasers, installers, and operators of Blue-White products should take the time to inform themselves about the safe operation of these products. In addition, Customers are expected to do their own due diligence regarding which products and materials are best suited for their intended applications. BLUE-WHITE is pleased to assist in this effort but does not guarantee the suitability of any particular product for any specific application as Blue-White does not have the same degree of familiarity with the application that the customer/end user has. While BLUE-WHITE will honor all of its product warranties according to their terms and conditions, Blue-White shall only be obligated to repair or replace its defective parts or products in accordance with the associated product warranties.

**BLUE-WHITE SHALL NOT BE LIABLE EITHER IN TORT OR IN CONTRACT FOR ANY LOSS OR DAMAGE WHETHER DIRECT, INDIRECT, INCIDENTAL, OR CONSEQUENTIAL, ARISING OUT OF OR RELATED TO THE FAILURE OF ANY OF ITS PARTS OR PRODUCTS OR OF THEIR UNSUITABILITY FOR A GIVEN PURPOSE OR APPLICATION.**

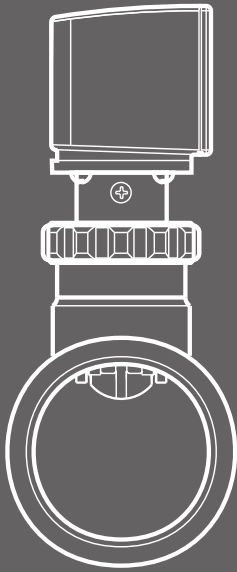
## CHEMICAL RESISTANCE WARNING

BLUE-WHITE offers a wide variety of wetted parts. Purchasers, installers, and operators of Blue-White products must be well informed and aware of the precautions to be taken when injecting or measuring various chemicals, especially those considered to be irritants, contaminants or hazardous. Customers are expected to do their own due diligence regarding which products and materials are best suited for their applications, particularly as it may relate to the potential effects of certain chemicals on Blue-White products and the potential for adverse chemical interactions. Blue-White tests its products with water only. The chemical resistance information included in this instruction manual was supplied to BLUE-WHITE by reputable sources, but Blue-White is not able to vouch for the accuracy or completeness thereof. While BLUE-WHITE will honor all of its product warranties according to their terms and conditions, Blue-White shall only be obligated to repair or replace its defective parts or products in accordance with the associated product warranties.

**BLUE-WHITE SHALL NOT BE LIABLE EITHER IN TORT OR IN CONTRACT FOR ANY LOSS OR DAMAGE, WHETHER DIRECT, INDIRECT, INCIDENTAL, OR CONSEQUENTIAL, ARISING OUT OF OR RELATED TO THE USE OF CHEMICALS IN CONNECTION WITH ANY BLUE-WHITE PRODUCTS.**

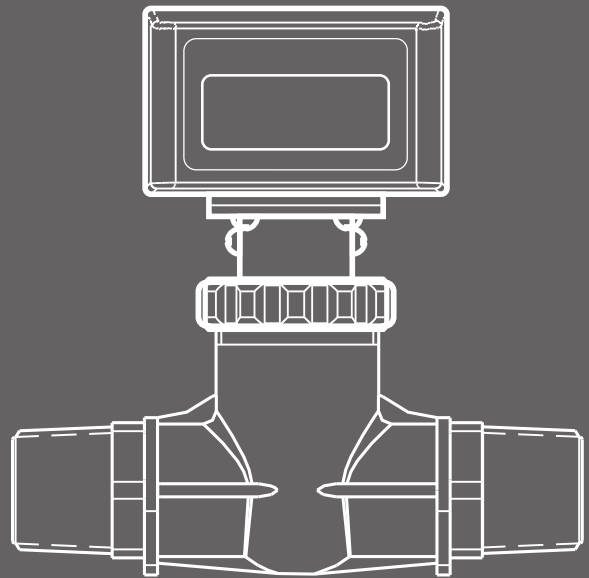
Users of electrical and electronic equipment (EEE) with the WEEE marking per Annex IV of the WEEE Directive must not dispose of end of life EEE as unsorted municipal waste, but use the collection framework available to them for the return, recycle, recovery of WEEE and minimize any potential effects of EEE on the environment and human health due to the presence of hazardous substances. The WEEE marking applies only to countries within the European Union (EU) and Norway. Appliances are labeled in accordance with European Directive 2002/96/EC. Contact your local waste recovery agency for a Designated Collection Facility in your area.





# AQUATICS

## Flow Meters



**Blue-White**<sup>®</sup>

# F-1000

## BW DIGI-METER® Paddlewheel Flow Meter



- > High accuracy digital paddlewheel technology
- > 3/8", 1/2", 3/4", 1", 1-1/2", and 2" male pipe threads
- > 1-1/2", 2", 2-1/2", 3", 4", 6", 8", 10" and 12" saddle mount sizes
- > Tamper proof factory programming
- > Easy to read 6 digit LCD display, up to 4 decimal places
- > Flow rate and flow totalization

### Highlights

**Flow range**

.4 - 8000 GPM  
1 - 27000 LPM

**Pressures up to**

300 PSI  
(20 bar)

**Max. fluid temp.**

200 °F 93 °C  
at 0 PSI

**Pipe Fitting material**

PVC, PVDF or Polypropylene

**Pipe sizes**

3/8", up to 12"

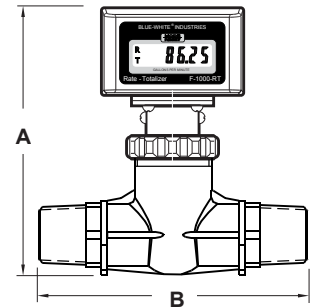
**Warranty**

1 Year

### Polypropylene Molded In-Line Pipe

Pipe Size	GPM	LPM	Flow Range	DIN 8062	LPM Range	Material
3/8"	.8 - 8	3 - 30	Range 1	50mm	70 - 700	PVDF
3/8"	.4 - 4	1 - 10	Range 2	63mm	110 - 1100	PVDF
1/2"	2 - 20	7 - 70	Range 1	75mm	150 - 1500	PVC
3/4"	3 - 30	11 - 110	Range 1	90mm	230 - 2300	PVDF
1"	5 - 50	20 - 200	Range 1	110mm	350 - 3500	PVC
1 1/2"	6 - 60	25 - 250	Range 2	160mm	720 - 7200	PVC
2"	10 - 100	40 - 400	Range 3	200mm	1150 - 11500	PVC
2"	20 - 200	70 - 700	Range 4	250mm	1700 - 17000	PVC
				315mm	2700 - 27000	PVC

### Metric Saddle Mount Pipe



### Dimensions

Pipe Size	A	B
3/8"	5-3/8" (137mm)	4-3/4" (121mm)
1/2"	5-3/8" (137mm)	5-1/8" (130mm)
3/4"	5-5/8" (143mm)	5-1/4" (133mm)
1"	5-5/8" (143mm)	5-5/8" (143mm)
1-1/2"	6-1/8" (156mm)	6-1/2" (165mm)
2"	6-3/8" (162mm)	6-3/4" (171mm)

### Standard Saddle Mount Pipe

Pipe Size	GPM	LPM	Material
1 1/2"	15 - 150	60 - 600	PVDF
2"	30 - 300	100 - 1000	PVDF
2 1/2"	40 - 400	150 - 1500	PVC
3"	60 - 600	250 - 2500	PVDF
4"	100 - 1000	400 - 4000	PVC
6"	250 - 2500	900 - 9000	PVC
8"	400 - 4000	1600 - 16000	PVC
10"	600 - 6000	2400 - 24000	PVC
12"	800 - 8000	3200 - 32000	PVC

### PVC TEE Pipe

Pipe	GPM	LPM	Material
1"	6 - 60	25 - 250	PVC
1 1/2"	15 - 150	60 - 600	PVC
2"	30 - 300	100 - 1000	PVC
3"	60 - 600	230 - 2300	PVC

### What's in the box

- Flow meter x1
- Clamp (saddle only) x 2
- Pipe Plug (saddle only) x 1
- Batteries x2 (installed)
- Instruction manual



# F-1000 Model Number Matrix

F-1000

<b>RB</b>	-	<b>375</b>	<b>MI</b>	-	<b>GPM</b>	<b>1</b>	-			<b>Sample Model Number</b>
-----------	---	------------	-----------	---	------------	----------	---	--	--	----------------------------

<b>Variations</b>
<b>RB</b> = Rate Only
<b>TB</b> = Total Only
<b>RT</b> = Rate and Total

<b>Pipe Fitting</b>
Blank = Standard
<b>P</b> = No pipe fitting

Pipe Sizes M/NPT	
Imperial Pipe Sizes	Metric Pipe Sizes
<b>375</b> = 3/8" IPS	<b>050</b> = 50 mm
<b>500</b> = 1/2" IPS	<b>063</b> = 63 mm
<b>750</b> = 3/4" IPS	<b>075</b> = 75 mm
<b>100</b> = 1" IPS	<b>090</b> = 90 mm
<b>150</b> = 1-1/2" IPS	<b>110</b> = 110 mm
<b>200</b> = 2" IPS	<b>160</b> = 160 mm
<b>250</b> = 2-1/2" IPS	<b>200</b> = 200 mm
<b>300</b> = 3" IPS	<b>250</b> = 250 mm
<b>400</b> = 4" IPS	<b>315</b> = 315 mm
<b>600</b> = 6" IPS	
<b>800</b> = 8" IPS	
<b>1000</b> = 10" IPS	
<b>1200</b> = 12" IPS	

<b>O-rings / Elastomers</b>
Blank = Standard
<b>E</b> = EPDM O-rings

<b>Calibration Range</b> <a href="#">Click here or see pipe fitting page for details</a>	
<b>1</b> = Range 1	<b>3</b> = Range 3
<b>2</b> = Range 2	<b>4</b> = Range 4
Molded In-line fittings - Use last number of fitting #.	
All other fittings - Use Range 1	

<b>Calibration Units</b>
<b>GPM</b> = U.S. Gallons per minute
<b>GPH</b> = U.S. Gallons per hour
<b>GPD</b> = U.S. Gallons per day
<b>OZM</b> = U.S. Ounces per minute
<b>CFM</b> = Cubic Feet per minute
<b>AFD</b> = Acre Feet per day
<b>LPM</b> = Liters per minute
<b>LPH</b> = Liters per hour
<b>LPD</b> = Liters per day
<b>M3H</b> = Cubic Meters per hour
<b>IGM</b> = Imperial Gallons per minute
<b>IGH</b> = Imperial Gallons per hour

Pipe Fitting Type	
<b>S4</b> = SADDLE, SCH40 (I.P.S.) PVC or IRON pipe	<b>MI</b> = INLINE INJECTION MOLDED PP AMERICAN M/NPT
1-1/2", 2", 3" PVDF	3/8", 1/2", 3/4", 1" M/NPT, polypropylene
2-1/2", 4", 6", 8" PVC	1-1/2" M/NPT, polypropylene
10", 12" PVC	2" M/NPT, polypropylene
<b>S8</b> = SADDLE, SCH80 (I.P.S.) PVC pipe	<b>MB</b> = INLINE INJECTION MOLDED PP BRITISH M/BSPT
1-1/2", 2", 3" PVDF	3/8", 1/2", 3/4", 1" M/BSPT, polypropylene
2-1/2", 4", 6", 8" PVC	1-1/2" M/BSPT, polypropylene
10", 12" PVC	2" M/BSPT, polypropylene
<b>P0</b> = SADDLE, PN10 METRIC (DIN 8062) pipe	<b>AT</b> = INLINE INJECTION MOLDED TEE PVC SLIP/SOCKET
50 mm, 63 mm, 90 mm PVDF	1", 1-1/2", 2" PVC
75, 110, 160, 200 mm PVC	3" PVC
250, 315 mm PVC	
<b>P6</b> = SADDLE, PN16 METRIC (DIN 8062) pipe	
50 mm, 63 mm, 90 mm PVDF	
75, 110, 160, 200 mm PVC	
250, 315 mm PVC	

# F-2000

## BW DIGI-METER® Paddlewheel Flow Meter

- > High accuracy digital paddlewheel technology
- > 3/8", 1/2", 3/4", 1", 1-1/2", and 2" male pipe threads
- > 1-1/2", 2", 2-1/2", 3", 4", 6", 8", 10" and 12" saddle mount sizes
- > Optional 4-20mA or 0-10VDC output
- > Easy to read 8 digit LCD display, up to 4 decimal places
- > Flow rate and flow totalization
- > Front panel security lock-out



### Highlights

#### Flow range

.4 - 8000 GPM  
1 - 27000 LPM

#### Pressures up to

300 PSI  
(20 bar)

#### Max. fluid temp.

200 °F 93 °C  
at 0 PSI

#### Pipe Fitting material

PVC, PVDF or Polypropylene

#### Pipe sizes

3/8", up to 12"

#### Warranty

1 Year

### Polypropylene Molded In-Line Pipe

Pipe Size	GPM	LPM	Flow Range	DIN 8062	LPM Range	Material
3/8"	.8 - 8	3 - 30	Range 1	50mm	70 - 700	PVDF
3/8"	.4 - 4	1 - 10	Range 2	63mm	110 - 1100	PVDF
1/2"	2 - 20	7 - 70	Range 1	75mm	150 - 1500	PVC
3/4"	3 - 30	11 - 110	Range 1	90mm	230 - 2300	PVDF
1"	5 - 50	20 - 200	Range 1	110mm	350 - 3500	PVC
1 1/2"	6 - 60	25 - 250	Range 2	160mm	720 - 7200	PVC
2"	10 - 100	40 - 400	Range 3	200mm	1150 - 11500	PVC
2"	20 - 200	70 - 700	Range 4	250mm	1700 - 17000	PVC
				315mm	2700 - 27000	PVC

### Metric Saddle Mount Pipe

### Standard Saddle Mount Pipe

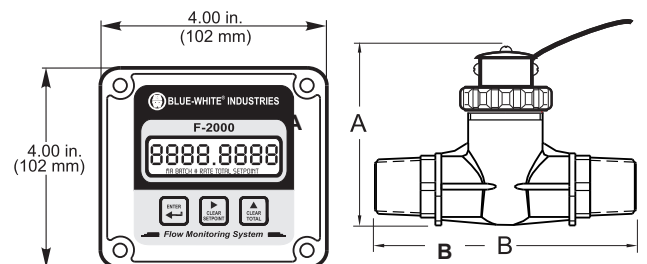
Pipe Size	GPM	LPM	Material
1 1/2"	15 - 150	60 - 600	PVDF
2"	30 - 300	100 - 1000	PVDF
2 1/2"	40 - 400	150 - 1500	PVC
3"	60 - 600	250 - 2500	PVDF
4"	100 - 1000	400 - 4000	PVC
6"	250 - 2500	900 - 9000	PVC
8"	400 - 4000	1600 - 16000	PVC
10"	600 - 6000	2400 - 24000	PVC
12"	800 - 8000	3200 - 32000	PVC

### PVC TEE Pipe

Pipe	GPM	LPM	Material
1"	6 - 60	25 - 250	PVC
1 1/2"	15 - 150	60 - 600	PVC
2"	30 - 300	100 - 1000	PVC
3"	60 - 600	230 - 2300	PVC

### Dimensions

Pipe Size	A	B
3/8"	3-3/4" (95mm)	4-3/4" (121mm)
1/2"	3-3/4" (95mm)	5-1/8" (130mm)
3/4"	4" (102mm)	5-1/4" (133mm)
1"	4" (102mm)	5-5/8" (143mm)
1-1/2"	4-1/2" (114mm)	6-1/2" (165mm)
2"	4-3/4" (121mm)	6-3/4" (171mm)



### What's in the box

- Flow meter x1
- Clamp (saddle only) x 2
- Pipe Plug (saddle only) x 1
- Batteries x2 (installed)
- Instruction manual



# F-2000 Model Number Matrix

F-2000

<b>RT</b>	<b>S</b>	<b>B</b>	<b>38</b>	<b>M1</b>	<b>GM</b>	<b>1</b>	<b>-</b>					<b>Sample Model Number</b>
-----------	----------	----------	-----------	-----------	-----------	----------	----------	--	--	--	--	----------------------------

<b>Variations</b>
<b>RT</b> = Flow Rate and Totalizing
<b>AO</b> = Analog Output, Flow Rate and Totalizing
<b>PC</b> = Batch Processing, Flow Rate Alarm, Proportional Metering, Flow Rate and Totalizing
<b>AP</b> = Analog Output, Batch Processing, Flow Rate Alarm Proportional Metering, Flow Rate Alarm and Flow Totalizing
<b>FC</b> = Flow Sensor - AC Coil - 200 ft. range
<b>FH</b> = Flow Sensor - Hall Effect - 1 mile range

<b>Display Mounting</b>
<b>S</b> = Meter Mounted on AC Coil Sensor
<b>P</b> = Meter Panel Mounted, AC Coil Sensor, 200 ft. range, includes 25 Ft. of cable
<b>H</b> = Meter Panel Mounted, Hall Effect Sensor, 1 mile Range, includes 25 ft. of cable
<b>X</b> = Sensor only (without Display Meter)

<b>Power</b>
<b>B</b> = Battery Holder with 4 AA cells
<b>1</b> = U.S. Transformer, AC 115V60Hz/15Vdc, NEMA 5/15 plug
<b>2</b> = Europe Transformer, AC 230V50Hz/15Vdc, CEE 7/VII plug
<b>3</b> = U.S. Transformer, AC 230V60Hz/15Vdc, NEMA5/15 plug
<b>X</b> = No Selection (Customer must supply power)

<b>Pipe Sizes M/NPT</b>	
<b>Imperial Pipe Sizes</b>	<b>Metric Pipe Sizes</b>
<b>38</b> = 3/8" IPS	<b>05</b> = 50mm
<b>50</b> = 1/2" IPS	<b>06</b> = 63mm
<b>75</b> = 3/4" IPS	<b>07</b> = 75mm
<b>10</b> = 1" IPS	<b>09</b> = 90mm
<b>15</b> = 1-1/2" IPS	<b>11</b> = 110mm
<b>20</b> = 2" IPS	<b>16</b> = 160mm
<b>25</b> = 2-1/2" IPS	<b>20</b> = 200mm
<b>30</b> = 3" IPS	<b>25</b> = 250mm (PN10 only)
<b>40</b> = 4" IPS	<b>31</b> = 315mm (PN10 only)
<b>60</b> = 6" IPS	
<b>80</b> = 8" IPS	
<b>100</b> = 10" IPS	
<b>120</b> = 12" IPS	

<b>Cable Feet</b>
<b>Blank</b> = Standard 25 feet
<b>50FT</b> = 50 feet of signal cable
<b>100FT</b> = 100 feet of signal cable

<b>Pipe Fitting</b>
<b>Blank</b> = Standard
<b>P</b> = No pipe fitting*

<b>O-rings</b>
<b>Blank</b> = Standard
<b>E</b> = EPDM

<b>Calibration Range</b> <a href="#">Click here or see pipe fitting page for details</a>			
<b>1</b> = Range 1	<b>2</b> = Range 2	<b>3</b> = Range 3	<b>4</b> = Range 4

<b>Calibration Units</b>	
<b>GM</b> = U.S. Gallons per minute	<b>LH</b> = Liters per hour
<b>GH</b> = U.S. Gallons per hour	<b>LD</b> = Liters per day
<b>GD</b> = U.S. Gallons per day	<b>MH</b> = Cubic Meters per hour
<b>OM</b> = U.S. Ounces per minute	<b>IM</b> = Imperial Gallons per minute
<b>AD</b> = Acre Feet per day	<b>IH</b> = imperial Gallons per hour
<b>LM</b> = Liters per minute	

<b>Saddle Pipe Fitting Type</b>
<b>SADDLE, SCH40 (I.P.S.) PVC or IRON pipe</b>
<b>K4</b> = 1-1/2", 2", 3" PVDF
<b>A4</b> = 2-1/2", 4", 6", 8" PVC
<b>A4</b> = 10", 12" PVC
<b>SADDLE, SCH80 (I.P.S.) PVC pipe</b>
<b>K8</b> = 1-1/2", 2", 3" PVDF
<b>A8</b> = 2-1/2", 4", 6", 8" PVC
<b>A8</b> = 10", 12" PVC
<b>SADDLE, PN10 METRIC (DIN 8062) pipe</b>
<b>K0</b> = 50mm, 63mm, 90mm PVDF
<b>A0</b> = 75, 110, 160, 200 PVC
<b>A0</b> = 250,315mm PVC
<b>SADDLE, PN16 METRIC (DIN 8062) pipe</b>
<b>K6</b> = 50mm, 63mm, 90mm PVDF
<b>A6</b> = 75, 110, 160, and 200, PVC

<b>Inline Pipe Fitting Type</b>
<b>INLINE INJECTION MOLDED PP AMERICAN M/NPT</b>
<b>M1</b> = Range #1, <b>M2</b> = Range #2
<b>M3</b> = Range #3, <b>M4</b> = Range #4
3/8", 1/2", 3/4", 1" M/NPT polypropylene
1-1/2" M/NPT polypropylene
2" M/NPT polypropylene
<b>INLINE INJECTION MOLDED PP BRITISH M/BSPT</b>
<b>MB1</b> = Range #1, <b>MB2</b> = Range #2
<b>MB3</b> = Range #3, <b>MB4</b> = Range #4
3/8", 1/2", 3/4", 1" M/BSPT polypropylene
1-1/2" M/BSPT polypropylene
2" M/BSPT polypropylene
<b>INLINE INJECTION MOLDED TEE PVC SLIP/SOCKET</b>
<b>AT</b> = 1", 1-1/2", 2" Female slip glue/weld
3" Female slip glue/weld

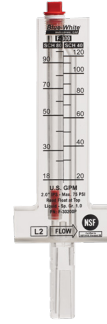
<b>Optional Accessories and Components</b>
71000-294 Panel Mount Kit Bracket \$30
71000-514 Mounting Conversion Kit, Sensor Mount to Panel Mount.
71000-301 Wall Mount Adapter Kit. Cable Not Included.
71000-302 Wall or Pipe Mounting Kit (3/8" - 1.5" Pipe). Cable Not Included.
71000-303 Wall or Pipe Mounting Kit (2" Pipe). Cable Not Included.
71000-304 Wall or Pipe Mounting Kit (3" Pipe). Cable Not Included.
71000-305 Wall or Pipe Mounting Kit (4" Pipe). Cable Not Included.
71000-306 Wall or Pipe Mounting Kit (6" Pipe). Cable Not Included.
71000-307 Wall or Pipe Mounting Kit (8" Pipe). Cable Not Included.
71000-414 Wall or Pipe Mounting Kit (10" Pipe). Cable Not Included.
71000-415 Wall or Pipe Mounting Kit (12" Pipe). Cable Not Included.
71000-322 Battery Back-up Kit

\* **Calibration Range**  
 Molded In-line fittings - Use last number of fitting #.  
 All other fittings - Use Range 1

# F-300

## Variable Area Flow Meter

- > Well suited for closed pipe installations
- > Dual scale (SCH 40 / SCH 80), screen printed on both sides
- > Acceptable for outdoor installations
- > Pitot Tube (impact tube) design makes it easy to install on existing pipe
- > One-piece, machined acrylic meter body



### Highlights

**Flow range**

5.0 - 2,200 GPM (SCH 40)  
4.0 - 1,950 GPM (SCH 80)

**Pressures up to**

75 PSI  
(5.17 bar)

**Max. fluid temp.**

190 °F  
88 °C

**Body material**

Acrylic

**Pipe sizes**

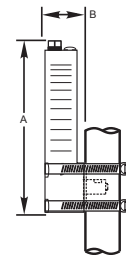
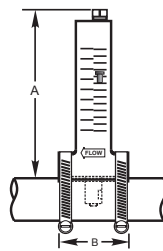
1" to 8"

**Warranty**

1 Year

### Dimensions

Pipe Size	A	B	Pipe Size	A	B
1"	6"	2-7/16"	3"	6"	2-7/16"
1-1/4"	6"	2-7/16"	4"	6"	2-7/16"
1-1/2"	6"	2-7/16"	5"	6"	2-7/16"
2"	6"	2-7/16"	6"	7-1/2"	2-7/16"
2-1/2"	6"	2-7/16"	8"	7-1/2"	2-7/16"



### U/D-300 Series

Pipe Size	A	B
1-1/2"	6"	1-9/16"
2"	6"	1-9/16"

### What's in the box

Flow meter x 1  
Rubber Gasket x 1  
Clamp x 2  
Instruction manual



## Model Number Matrix

### F-300 Model Number

<b>F</b>	Standard Flow Meter (Horizontal Flow) (NSF 50 Listed)
<b>U</b>	Flow Meter (Upwards Flow 1.5" and 2.0" only)
<b>D</b>	Flow Meter (Downwards Flow 1.5" and 2.0" only)

#### Series

<b>30</b>	F-300 Acrylic Body
-----------	--------------------

#### GPM Scale SCH 40 / SCH 80

<b>100</b>	1.0" Pipe, 5 - 35 GPM sch 40 (4 - 26 GPM sch 80)
<b>125</b>	1.25" Pipe, 9 - 50 GPM sch 40 (8 - 40 GPM sch 80)
<b>150</b>	1.50" Pipe, 10 - 70 GPM sch 40 (10 - 60 GPM sch 80)
<b>150</b>	UP/DOWN 1.5" Pipe, 10 - 60 GPM sch 40 (10 - 50 GPM sch 80)
<b>200</b>	2.0" Pipe, 20 - 120 GPM sch 40 (18 - 100 GPM sch 80)
<b>200</b>	UP/DOWN 2.0" Pipe, 20 - 110 GPM sch 40 (20 - 100 GPM sch 80)
<b>250</b>	2.5" Pipe, 29 - 150 GPM sch 40 (25 - 130 GPM sch 80)
<b>300</b>	3.0" Pipe, 45 - 240 GPM sch 40 (40 - 205 GPM sch 80)
<b>400</b>	4.0" Pipe, 75 - 420 GPM sch 40 (70 - 375 GPM sch 80)
<b>600</b>	6.0" Pipe, 170 - 1100 GPM sch 40 (160 - 1000 GPM sch 80)
<b>800</b>	8.0" Pipe, 300 - 2200 GPM sch 40 (275 - 1950 GPM sch 80)

<b>F</b>	<b>-</b>	<b>30</b>	<b>100</b>	<b>P</b>	<b>Sample Model Number</b>
----------	----------	-----------	------------	----------	----------------------------

## Accessories



**F-300SL**

KIT F-300 SENSOR/SWITCH

1.0"P - 1.25"P ONLY



**F-300S**

KIT F-300 SENSOR/SWITCH

1.5"P - 4.0"P ONLY

**F-300S and F-300SL come with magnetized float.**

# F-300M

## Variable Area Flow Meter

- > Well suited for closed pipe installations
- > Dual scale (PN10 / PN16), screen printed on both sides
- > Acceptable for outdoor installations
- > Pitot Tube (impact tube) design makes it easy to install on existing pipe
- > One-piece, machined acrylic meter body



### Highlights

**Flow range**

30 - 1,800 LPM (PN10)  
30 - 1,600 GPM (PN20)

**Pressures up to**

75 PSI  
(5.2 bar)

**Max. fluid temp.**

190 °F  
88 °C

**Body material**

Acrylic

**Pipe sizes**

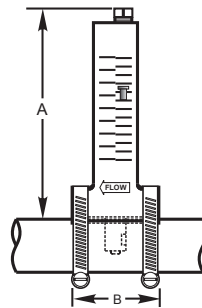
32mm to 110mm

**Warranty**

1 Year

### Dimensions

Pipe Size	A (mm)	B (mm)
32mm	110	62
50mm	110	62
63mm	110	62
75mm	110	62
90mm	110	62
110mm	110	62



### What's in the box

Flow meter x 1  
Rubber Gasket x 1  
Clamp x 2  
Instruction manual





## Model Number Matrix

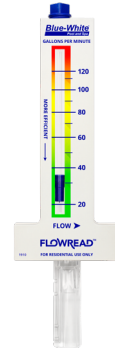
### F-300M Model Number

<b>F</b>	Standard Flow Meter (Horizontal Flow)				
<b>Series</b>					
<b>30</b>	F-300M Acrylic Body				
<b>LPM Scale PN10 / PN16</b>					
<b>032</b>	32mm Pipe, 30 - 150 LPM PN10 (30 - 130 LPM PN16)				
<b>050</b>	50mm Pipe, 50 - 350 LPM PN10 (50 - 300 LPM PN16)				
<b>063</b>	63mm Pipe, 100 - 475 LPM PN10 (75 - 400 LPM PN16)				
<b>075</b>	75mm Pipe, 150 - 700 LPM PN10 (150 - 600 LPM PN16)				
<b>090</b>	90mm Pipe, 200 - 850 LPM PN10 (200 - 800 LPM PN16)				
<b>110</b>	110mm Pipe, 600 - 1800 LPM PN10 (550 - 1600 LPM PN16)				
<b>Pipe Units</b>					
<b>M</b>	METRIC (DIN 8062)				
<b>F</b>	<b>-</b>	<b>30</b>	<b>032</b>	<b>M</b>	Sample Model Number

# R-300

## FLOWREAD™ Acrylic Flow Meter

- > Designed to help maximize energy savings and improve water quality
- > Installs in 2 minutes or less
- > Works with any pool and requires no unions, adapters, primer, PVC cement, hacksaws, or PVC pipe cutting tools



### Highlights

**Flow range**

10 - 150 GPM

**Pressures up to**75 PSI  
(5.2 bar)**Max. fluid temp.**190 °F  
88 °C**Body**

Acrylic

**Pipe sizes**

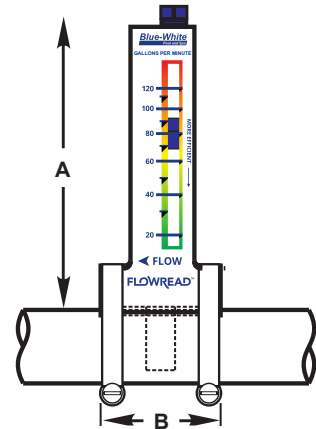
1½", 2", 2½"

**Warranty**

1 Year

### Dimensions

Model	Pipe Size	A	B
R-315	1-1/2"	6"	2-7/16"
R-320	2"	6"	2-7/16"
R-325	2-1/2"	6"	2-7/16"



### What's in the box

Flow meter x 1  
 Rubber Gasket x 1  
 Clamp x 2  
 Instruction manual



## Model Number Matrix

### R-300 Model Number

<b>R</b>	Standard Flow Meter (Horizontal Flow)			
<b>Series</b>				
<b>3</b>	R-300 Acrylic Body			
<b>GPM Scale SCH 40</b>				
<b>15</b>	1.5" Pipe 10 - 70 GPM			
<b>20</b>	2.0" Pipe 20 - 120 GPM			
<b>25</b>	2.5" Pipe 30 - 150 GPM			
<b>R</b>	<b>-</b>	<b>3</b>	<b>15</b>	Sample Model Number

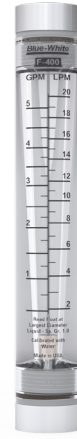
## Accessories



# F-400

## Variable Area Flow Meter

- > Durable, highly polished, one piece meter body
- > Annealed for added strength and chemical resistance
- > Acceptable in direct sunlight
- > Full scale accuracy +/- 5%
- > 316ss float & guide-wire



### Highlights

**Flow range**

.025 - 5.0 GPM  
.1 - 20 LPM

**Pressures up to**

150 PSI  
(10.3 bar)

**Max. fluid temp.**

150 °F  
65 °C

**Body**

Acrylic

**Adapters**

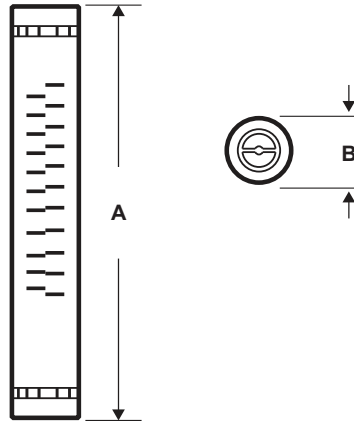
1/4", 3/8" & 1/2" F/NPT

**Warranty**

1 Year

### Dimensions

Dim	Inch	cm
A	8-3/16"	20.8
B	1-1/4"	3.2



### What's in the box

Flow meter x1  
Instruction manual



## Model Number Matrix

### F-400 Model Number

<b>F</b>	Flow Meter						
<b>Series</b>							
<b>40</b>	F-400 Acrylic body						
<b>Scale</b>							
<b>050</b>	0.05 - .5 gpm (0.2 - 2.0 lpm) 316ss Float						
<b>250</b>	0.025 - .25 gpm (0.1 - 1.0 lpm) PVDF Float						
<b>375</b>	0.1 - 1.0 gpm (0.4 - 4.0 lpm) PTFE Float						
<b>376</b>	0.2 - 2.0 gpm (1.0 - 7.5 lpm) 316ss Float						
<b>377</b>	0.3 - 3.0 gpm (1.5 - 11 lpm) 316ss Float						
<b>500</b>	0.5 - 5.0 gpm (2.0 - 20 lpm) 316ss Float						
<b>Guide-Wire Material</b>							
<b>LN</b>	316 Stainless steel rod						
<b>Adapter</b>							
<b>4</b>	.250" Female NPT, Polypropylene						
<b>6</b>	.375" Female NPT, Polypropylene						
<b>8</b>	.500" Female NPT, Polypropylene						
<b>O-Rings</b>							
<b>(Blank)</b>	Viton						
<b>-22P</b>	EP						
<b>F</b>	<b>-</b>	<b>40</b>	<b>050</b>	<b>LN</b>	<b>-</b>	<b>4</b>	<b>Sample Model Number</b>

\*In-house NIST Calibration, OEM packaging, silicone oil free and bulk packaging options are also available.

# F-440

## Variable Area Flow Meter

- > Polysulfone body resists high temperatures and pressures
- > In-line or panel mount configurations available
- > Indoor use only
- > Full scale accuracy +/- 4%
- > 316ss float & guide-wire



### Highlights

#### Flow range

.025 – 10 GPM  
0.1 – 37.5 LPM

#### Pressures up to

175 PSI  
(12 bar)

#### Max. fluid temp.

212 °F  
100 °C

#### Body

Polysulfone

#### Adapters

1/4" - 3/4" M/NPT  
(Inline & panel mount)

#### Warranty

1 Year

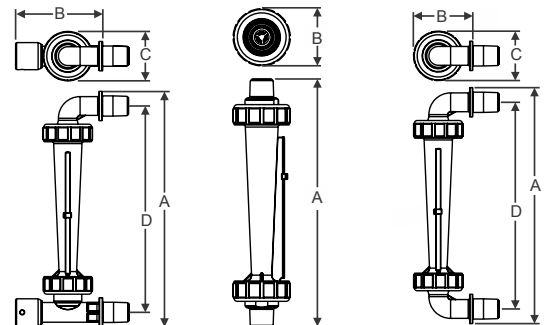
	Pipe Size	A	B	C	D
Inline	F-44250	6-3/16" 157mm	1-11/16" (43mm)	N/A	N/A
	F-44375				
	F-44376				
	F-44500				
F-44750	7-1/2" (191mm)	2" (51mm)	N/A	N/A	
Elbow	F-44250E	7" (178mm)	3" (76mm)	1-11/16" (43mm)	5-15/16" (151mm)
	F-44375E				
	F-44376E				
	F-44500E				
F-44750E	8-1/8" (206mm)	3" (76mm)	2" (51mm)	6-13/16" (173mm)	
Adjustable	F-44250EA	7" (178mm)	4-1/2" (114mm)	1-11/16" (43mm)	6" (152mm)
	F-44375EA				
	F-44376EA				
	F-44500EA				
F-44750EA	8" (203mm)	4-1/2" (114mm)	2" (51mm)	6-13/16" (173mm)	

### Dimensions

Adjustable  
Panel Mount

Inline  
Mount

Elbow  
Panel Mount



# Model Number Matrix

## F-440 Model Number

<b>F</b>	Flow Meter						
<b>Series</b>							
<b>44</b>	F-440 Polysulfone Body						
<b>Scale</b>							
<b>250</b>	0.025 - .250 gpm (0.1 - 1.0 lpm) PVDF Float						
<b>375</b>	0.1 - 1.0 gpm (0.4 - 4.0 lpm) 316SS Float						
<b>376</b>	0.2 - 2.0 gpm (0.8 - 8.0 lpm) 316SS Float						
<b>500</b>	0.5 - 5.0 gpm (1.8 - 18.0 lpm) 316SS Float						
<b>750</b>	1.0 - 10 gpm (5.0 - 37.5 lpm) 316SS Float						
<b>Guide-Wire Material</b>							
<b>L</b>	316 Stainless steel rod						
<b>Installation</b>							
<b>(Blank)</b>	In-Line Model						
<b>E</b>	Panel Mount Model						
<b>A</b>	Adjustable Panel						
<b>Adapter</b>				<b>Adapter (For 750)</b>			
<b>6</b>	.375" Male npt Polysulfone Adapter and Union			<b>8</b>	.50" Male npt Polysulfone Adapter and Union		
<b>8</b>	.50" Male npt Polysulfone Adapter and Union			<b>12</b>	.75" Male npt Polysulfone Adapter and Union		
<b>O-Rings</b>							
<b>(Blank)</b>	Viton						
<b>-22Q</b>	EP						
<b>F</b>	<b>-</b>	<b>44</b>	<b>250</b>	<b>L</b>	<b>-</b>	<b>6</b>	Sample Model Number

**\*In-house NIST Calibration, OEM packaging and silicone oil free options are also available.**

# FLOW METER WARRANTY

## LIMITED WARRANTY

Your Blue-White product is a quality product and is warranted for a specific time from date of purchase (proof of purchase is required). The product will be repaired or replaced at our discretion. Failure must have occurred due to defect in material or workmanship and not as a result of operation of the product other than in normal operation as defined in the product manual. Warranty status is determined by the product's serial label and the sales invoice or receipt. The serial label must be on the product and legible. The warranty status of the product will be verified by Blue-White or a factory authorized service center.

Variable Area and Digital Flow meters are warranted for 1 year from date of purchase (proof of purchase is required). The flow meter will be repaired or replaced at our discretion.

## WHAT IS NOT COVERED

- Freight to the factory, or service center.
- Products that have been tampered with, or in pieces.
- Damage resulting from misuse, carelessness such as chemical spills on the enclosure, abuse, lack of maintenance, or alteration which is out of our control.
- Damage by faulty wiring, power surges or acts of nature.
- Damage damage that occurs as a result of: meter misalignment, improper installation, over tightening, use of non-recommended chemicals, use of nonrecommended adhesives or pipe dopes, excessive heat or pressure, or allowing the meter to support the weight of related piping.

BLUE-WHITE does not assume responsibility for any loss, damage, or expense directly or indirectly related to or arising out of the use of its products. Failure must have occurred due to defect in material or workmanship and not as a result of operation of the product other than in normal operation as defined in the manual.

Warranty status is determined by the product's serial label and the sales invoice or receipt. The serial label must be on the product and legible. The warranty status will be verified by Blue-White or a factory authorized service center.

## PROCEDURE FOR IN WARRANTY REPAIR

Warranty service must be performed by the factory or an authorized service center. Contact the factory or local repair center to obtain a RMA (Return Material Authorization) number. It is recommended to include foot strainer and injection/check valve fitting since these devices may be clogged and part of the problem. Decontaminate, dry, and carefully pack the product to be repaired. Please enclose a brief description of the problem and proof of purchase. Prepay all shipping and insurance cost. COD shipments will not be accepted. Damage caused by improper packaging is the responsibility of the sender. When In-Warranty repair is completed, the factory pays for return shipping to the dealer or customer.

## PRODUCT USE WARNING

Blue-White products are manufactured to meet the highest quality standards in the industry. Each product instruction manual includes a description of the associated product warranty and provides the user with important safety information. Purchasers, installers, and operators of Blue-White products should take the time to inform themselves about the safe operation of these products. In addition, Customers are expected to do their own due diligence regarding which products and materials are best suited for their intended applications. BLUE-WHITE is pleased to assist in this effort but does not guarantee the suitability of any particular product for any specific application as Blue-White does not have the same degree of familiarity with the application that the customer/end user has. While BLUE-WHITE will honor all of its product warranties according to their terms and conditions, Blue-White shall only be obligated to repair or replace its defective parts or products in accordance with the associated product warranties.

**BLUE-WHITE SHALL NOT BE LIABLE EITHER IN TORT OR IN CONTRACT FOR ANY LOSS OR DAMAGE WHETHER DIRECT, INDIRECT, INCIDENTAL, OR CONSEQUENTIAL, ARISING OUT OF OR RELATED TO THE FAILURE OF ANY OF ITS PARTS OR PRODUCTS OR OF THEIR NONSUITABILITY FOR A GIVEN PURPOSE OR APPLICATION.**

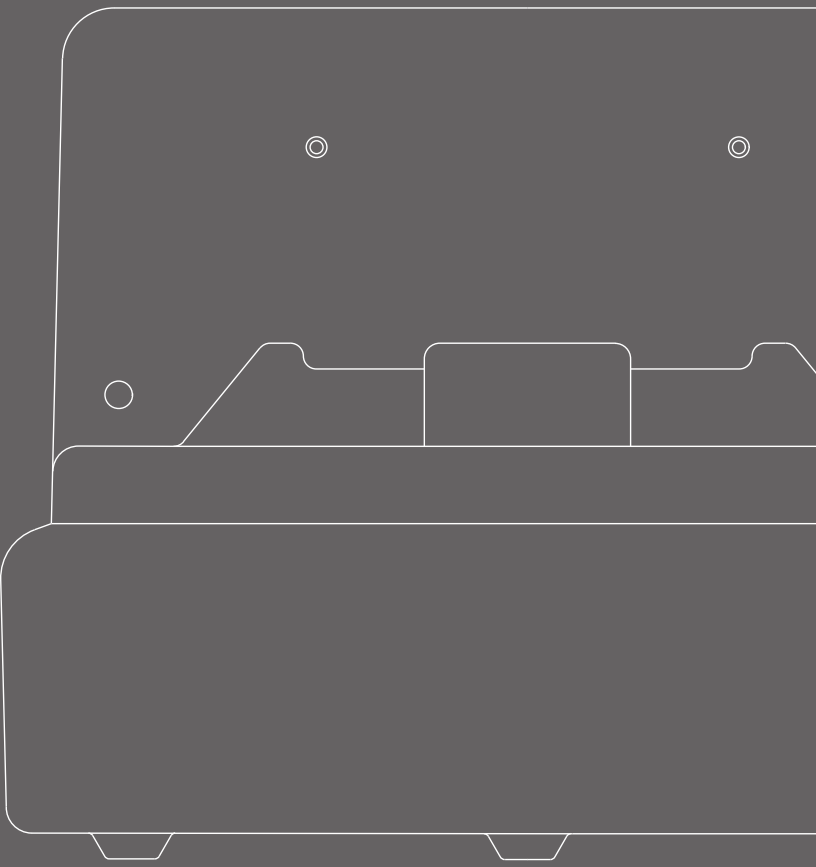
## CHEMICAL RESISTANCE WARNING

BLUE-WHITE offers a wide variety of wetted parts. Purchasers, installers, and operators of Blue-White products must be well informed and aware of the precautions to be taken when injecting or measuring various chemicals, especially those considered to be irritants, contaminants or hazardous. Customers are expected to do their own due diligence regarding which products and materials are best suited for their applications, particularly as it may relate to the potential effects of certain chemicals on Blue-White products and the potential for adverse chemical interactions. Blue-White tests its products with water only. The chemical resistance information included in this instruction manual was supplied to BLUE-WHITE by reputable sources, but Blue-White is not able to vouch for the accuracy or completeness thereof. While BLUE-WHITE will honor all of its product warranties according to their terms and conditions, Blue-White shall only be obligated to repair or replace its defective parts or products in accordance with the associated product warranties.

**BLUE-WHITE SHALL NOT BE LIABLE EITHER IN TORT OR IN CONTRACT FOR ANY LOSS OR DAMAGE, WHETHER DIRECT, INDIRECT, INCIDENTAL, OR CONSEQUENTIAL, ARISING OUT OF OR RELATED TO THE USE OF CHEMICALS IN CONNECTION WITH ANY BLUE-WHITE PRODUCTS.**

Users of electrical and electronic equipment (EEE) with the WEEE marking per Annex IV of the WEEE Directive must not dispose of end of life EEE as unsorted municipal waste, but use the collection framework available to them for the return, recycle, recovery of WEEE and minimize any potential effects of EEE on the environment and human health due to the presence of hazardous substances. The WEEE marking applies only to countries within the European Union (EU) and Norway. Appliances are labeled in accordance with European Directive 2002/96/EC. Contact your local waste recovery agency for a Designated Collection Facility in your area.





# AQUATICS

Tanks and  
Accessories

**Blue-White**<sup>®</sup>

# STAR III SYSTEM

## Metering Pump Tank System



- > Polyethylene tank with U.V. inhibitors for sunlight protection
- > The tank has extra heavy wall thickness for stability
- > Compatible with A1A and A100NA peristaltic pumps
- > All necessary accessories are included
- > Raised off the floor for easy wash down
- > Lid position: open, closed, or vented

## Highlights

### Tank capacity

7 gallon,  
15 gallon, or  
30 gallon

### Compatibility

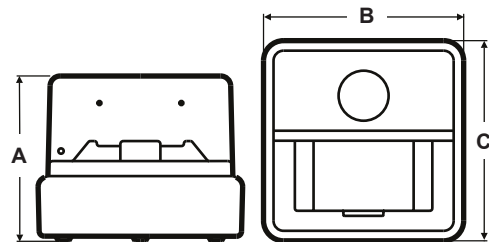
A1A, A100N

### Warranty

1 Year

## Dimensions

	7 Gallon Tank	15 Gallon Tank	30 Gallon Tank
<b>PART</b>	<b>KIT-S07</b>	<b>KIT-S15</b>	<b>KIT-S30</b>
<b>A</b>	12"(30cm)	17.25"(44cm)	27.50"(69cm)
<b>B</b>	18.5"(47cm)	20"(51cm)	20"(51cm)
<b>C</b>	18.5"(47cm)	20"(51cm)	20"(51cm)
<b>SHIP WT</b>	24 lb.(11kg)	32 lb.(15kg)	38 lb.(18kg)



## What's in the box

One tank  
One lid (3-way position for open, closed or vented)  
One foot valve (71000-351)  
Tubing and bulkhead fitting  
Mounting screws  
Pump mounting bracket

# CHEMICAL TANK

## Tank System



- > Polyethylene single wall tank
- > U.V. inhibitors for sunlight protection
- > The tank has extra heavy wall thickness for stability
- > Includes volume graduation marks

### Highlights

#### Tank capacity

15 gallon,  
30 gallon, or  
50 gallon

#### Complete

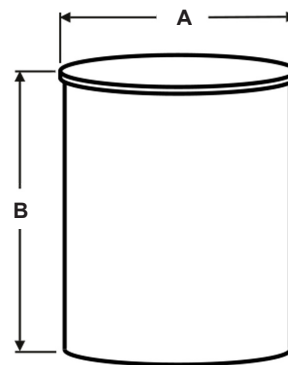
Tanks come with solid,  
one-piece lid

#### Warranty

1 Year

### Dimensions

	ST-15	ST-30	ST-50
	15 Gallon Tank	30 Gallon Tank	50 Gallon Tank
<b>A</b>	14.13" (35.8 cm)	18.50" (46.9 cm)	22.50" (57.1 cm)
<b>B</b>	23.63" (60.0 cm)	28.38" (72.0 cm)	33.38" (84.7 cm)
<b>SHIP WT</b>	11 lb. (4.90 kg)	16 lb. (7.30 kg)	23 lb. (10.40 kg)
<b>TANK W/LID</b>	ST-15	ST-30	ST-50



### What's in the box

- 1 Tank
- 1 Lid

# PUMP ACCESSORIES

Part No.	Description	Part No.	Description
<b>T.I. FITTINGS (Threadless Injectors)</b>		<b>FLOW INDICATORS</b>	
TI40-4V	T.I. for 1/4" OD for 1-1/4", 1-1/2", & 2" pipe	70000-638	CFI Molded, glued to 5 ft 3/8" tubing
TI40-6V	T.I. for 3/8" OD for 1-1/4", 1-1/2", & 2" pipe	70000-618	CFI Molded, glued to 10 ft 3/8" tubing
TI48-4V	T.I. for 1/4" OD for 2-1/2" pipe	70000-700	CFI Molded, glued to 6.75 ft 3/8" tubing (Star Tanks)
TI48-6V	T.I. for 3/8" OD for 2-1/2" pipe	FI-100-4V	CFI for use with 1/4" OD tubing, glass bobbin
TI56-4V	T.I. for 1/4" OD for 3" pipe	FI-100-4E	CFI for use with 1/4" OD tubing, glass bobbin, EP
TI56-6V	T.I. for 3/8" OD for 3" pipe	FI-100-6V	CFI for use with 3/8" OD tubing, glass bobbin
TI-4V	T.I. for 1/4" OD (no clamp)	FI-100-6E	CFI for use with 3/8" OD tubing, glass bobbin, EP
TI-6V	T.I. for 3/8" OD (no clamp)	<b>TUBING</b>	
<b>FOOT VALVES AND STRAINERS</b>		C-334-6	Tubing, Suction, clear PVC 3/8" OD x 5 ft length
C-340A	Foot Valve, 1/4"x3/8" OD tubing, Aflas,PVDF(no spring)	C-334-6-10	Tubing, Suction, clear PVC 3/8" OD x 10 ft length
C-340E	Foot Valve, 1/4" x 3/8" OD tubing, EP, PVDF (no spring)	C-334-6-25	Tubing, Suction, clear PVC 3/8" OD x 25 ft length
71010-261	Foot Valve, 1/4" x 3/8" tubing, Aflas, PVDF, 1/2 psi	C-334-6-100	Tubing, Suction, clear PVC 3/8" OD x 100 ft length
C-342-6	Strainer, for 1/4" ID tubing	C-335-6	Tubing, Discharge, clear PVC 3/8" OD x 5 ft length
C-346	Ceramic Weight	C-335-6-10	Tubing, Discharge, clear PVC 3/8" OD x 10 ft length
<b>INJECTION VALVES</b>		C-335-6-25	Tubing, Discharge, clear PVC 3/8" OD x 25 ft length
A-014N-6A	Injection Valve, for 3/8" OD Tubing, Aflas/FKM, <b>PP body</b>	C-335-6-100	Tubing, Discharge, clear PVC 3/8"ODx100ft length
A-014N-4A	Injection Valve, for 1/4" OD Tubing, Aflas/FKM, <b>PP body</b>	<b>TUBE ELEMENTS</b>	
A-014NK-6A	Inj. Valve, for 3/8" OD Tubing, Aflas/FKM, <b>PVDF body</b>	A1-4T	-4T Flex-A-Prene® Tube
A-014NK-4A	Inj. Valve, for 1/4" OD Tubing, Aflas/FKM, <b>PVDF body</b>	A1-6T	-6T Flex-A-Prene® Tube
		A1-7T	-7T Flex-A-Prene® Tube
		<b>TUBE NUTS</b>	
		C-330-6	Tube Nut

# AQUATICS

CO<sub>2</sub> Feed System

**Blue-White**<sup>®</sup>

# CO<sub>2</sub> Feed System

- Safe Alternative to Acid Feed for pH Control
- Accurate and Reliable Flowmeter for Precise Feed
- 0-80 scfh float (installed), 30-350 scfh float (included separately)
- Illuminated On/Off Switch
- Stainless Steel Solenoid Valve
- Easy Push Connectors for Tubing Connection



## Highlights

### CO<sub>2</sub> Flow Ranges

0-80 scfh  
30-350 scfh

### Flowmeter

Accurate Polysulfone  
Blue-White Rotameter

### Solenoid Valve

Stainless Steel

### Enclosure

Nema 4X

### Injector / Eductor

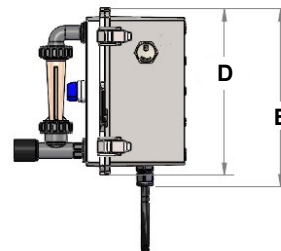
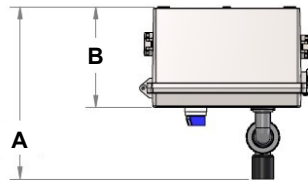
Effective Dissolution

### Warranty

1 Year

## Dimensions

Dim	Inch	cm
A	8.91"	22.6
B	5.21"	13.2
C	8.94"	22.7
D	8.60"	21.8
E	9.19"	23.3



## What's in the box

CO<sub>2</sub> Feed System with 6 ft power cord  
Float for 0-80 scfh (installed), and float for 30-350 scfh (included separately)  
Injector/Diffuser (for use with 0-80 scfh flow)  
Tubing - 10' length (3/8" OD, 1/4" ID)  
Instruction manual



## Model Number Matrix

CO2

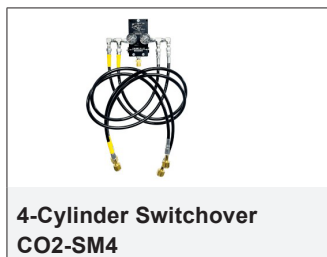
### Model Number

<b>CO2</b>	CO <sub>2</sub> Feed System			
<b>Series Control Options</b>				
<b>X</b>	Manual / Local Control Only			
<b>Power / Operating Voltage / Cord</b>				
<b>2</b>	24VDC			
<b>4</b>	115V / 60Hz, power cord NEMA 5/15 plug (US)			
<b>Options</b>				
<b>X</b>	No option selected			
<b>CO2</b>	<b>X</b>	<b>4</b>	<b>X</b>	Sample Model Number

### Accessories



Included with Feed System



# CO<sub>2</sub> FEED SYSTEM WARRANTY

## LIMITED WARRANTY

Your Blue-White product is a quality product and is warranted for a specific time from date of purchase (proof of purchase is required). The product will be repaired or replaced at our discretion. Failure must have occurred due to defect in material or workmanship and not as a result of operation of the product other than in normal operation as defined in the product manual. Warranty status is determined by the product's serial label and the sales invoice or receipt. The serial label must be on the product and legible. The warranty status of the product will be verified by Blue-White or a factory authorized service center.

CO<sub>2</sub> Feed Systems are warranted for 1 year from date of purchase (proof of purchase is required). The system will be repaired or replaced at our discretion.

## WHAT IS NOT COVERED

- Freight to the factory, or service center.
- Products that have been tampered with, or in pieces.
- Damage resulting from misuse, carelessness such as chemical spills on the enclosure, abuse, lack of maintenance, or alteration which is out of our control.
- Damage by faulty wiring, power surges or acts of nature.
- Damage damage that occurs as a result of: meter misalignment, improper installation, over tightening, use of non-recommended chemicals, use of nonrecommended adhesives or pipe dopes, excessive heat or pressure, or allowing the meter to support the weight of related piping.

BLUE-WHITE does not assume responsibility for any loss, damage, or expense directly or indirectly related to or arising out of the use of its products. Failure must have occurred due to defect in material or workmanship and not as a result of operation of the product other than in normal operation as defined in the manual.

Warranty status is determined by the product's serial label and the sales invoice or receipt. The serial label must be on the product and legible. The warranty status will be verified by Blue-White or a factory authorized service center.

## PROCEDURE FOR IN WARRANTY REPAIR

Warranty service must be performed by the factory or an authorized service center. Contact the factory or local repair center to obtain a RMA (Return Material Authorization) number. It is recommended to include foot strainer and injection/check valve fitting since these devices may be clogged and part of the problem. Decontaminate, dry, and carefully pack the product to be repaired. Please enclose a brief description of the problem and proof of purchase. Prepay all shipping and insurance cost. COD shipments will not be accepted. Damage caused by improper packaging is the responsibility of the sender. When In-Warranty repair is completed, the factory pays for return shipping to the dealer or customer.

## PRODUCT USE WARNING

Blue-White products are manufactured to meet the highest quality standards in the industry. Each product instruction manual includes a description of the associated product warranty and provides the user with important safety information. Purchasers, installers, and operators of Blue-White products should take the time to inform themselves about the safe operation of these products. In addition, Customers are expected to do their own due diligence regarding which products and materials are best suited for their intended applications. BLUE-WHITE is pleased to assist in this effort but does not guarantee the suitability of any particular product for any specific application as Blue-White does not have the same degree of familiarity with the application that the customer/end user has. While BLUE-WHITE will honor all of its product warranties according to their terms and conditions, Blue-White shall only be obligated to repair or replace its defective parts or products in accordance with the associated product warranties.

**BLUE-WHITE SHALL NOT BE LIABLE EITHER IN TORT OR IN CONTRACT FOR ANY LOSS OR DAMAGE WHETHER DIRECT, INDIRECT, INCIDENTAL, OR CONSEQUENTIAL, ARISING OUT OF OR RELATED TO THE FAILURE OF ANY OF ITS PARTS OR PRODUCTS OR OF THEIR NONSUITABILITY FOR A GIVEN PURPOSE OR APPLICATION.**

## CHEMICAL RESISTANCE WARNING

BLUE-WHITE offers a wide variety of wetted parts. Purchasers, installers, and operators of Blue-White products must be well informed and aware of the precautions to be taken when injecting or measuring various chemicals, especially those considered to be irritants, contaminants or hazardous. Customers are expected to do their own due diligence regarding which products and materials are best suited for their applications, particularly as it may relate to the potential effects of certain chemicals on Blue-White products and the potential for adverse chemical interactions. Blue-White tests its products with water only. The chemical resistance information included in this instruction manual was supplied to BLUE-WHITE by reputable sources, but Blue-White is not able to vouch for the accuracy or completeness thereof. While BLUE-WHITE will honor all of its product warranties according to their terms and conditions, Blue-White shall only be obligated to repair or replace its defective parts or products in accordance with the associated product warranties.

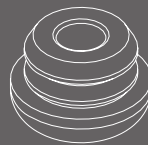
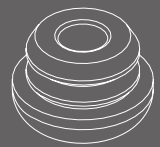
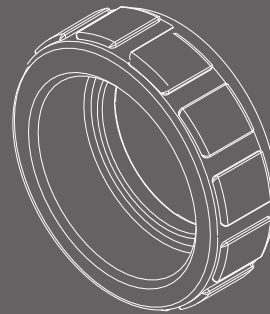
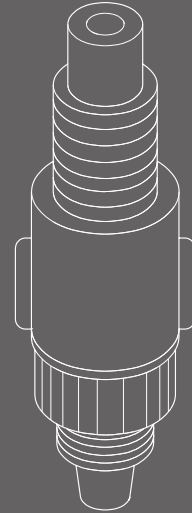
**BLUE-WHITE SHALL NOT BE LIABLE EITHER IN TORT OR IN CONTRACT FOR ANY LOSS OR DAMAGE, WHETHER DIRECT, INDIRECT, INCIDENTAL, OR CONSEQUENTIAL, ARISING OUT OF OR RELATED TO THE USE OF CHEMICALS IN CONNECTION WITH ANY BLUE-WHITE PRODUCTS.**

Users of electrical and electronic equipment (EEE) with the WEEE marking per Annex IV of the WEEE Directive must not dispose of end of life EEE as unsorted municipal waste, but use the collection framework available to them for the return, recycle, recovery of WEEE and minimize any potential effects of EEE on the environment and human health due to the presence of hazardous substances. The WEEE marking applies only to countries within the European Union (EU) and Norway. Appliances are labeled in accordance with European Directive 2002/96/EC. Contact your local waste recovery agency for a Designated Collection Facility in your area.



# AQUATICS

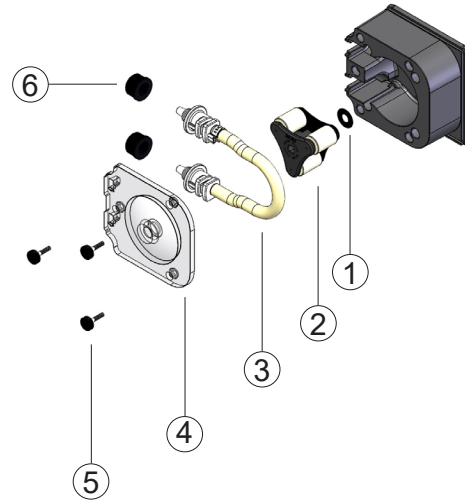
Replacement  
Parts



**Blue-White**<sup>®</sup>

## A1A Replacement Parts

Pump Head Components	Part No.	QTY Req'd
1 Spacer, back	A-031	1
2 Complete Roller Assembly (for -7T tube)	71000-350	1
3 Tubing ( <b>Reference Tubing Matrix</b> )		1
4 Pump Head Cover	A1-SXX-C	1
5 Thumb screw with 9/64" key drive	90011-160	3
6 Tube nut, compression, for 3/8" tubing	C-330-6	2
N/S Mounting Bracket	90002-685	1
N/S Bumper Feet	90003-592	4



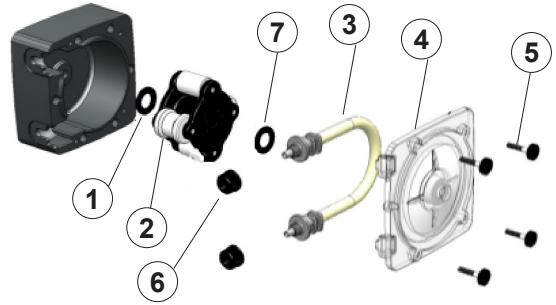
\*Pump Head not for sale. For more information please contact a local sales representative.

**FLEXFLO® Model Number****A1** Tubing**Pump Tube Size and Material****7** Flex-A-Prene® 7/16" OD**Inlet/Outlet Connection Size, Connection Type****T** 3/8" OD x 1/4" Tube Compression Fitting**A1 - 7 T** Tube Sample Model Number**Output Specifications**

Tube Material / Size	Feed Rate			Max Pressure	Max Temperature
	GPD	LPH	mL/Min	PSI (bar)	°F (°C)
<b>Flex-A-Prene® Tube</b>					
7T	.01 - 100	.01 - 15.8	.03 - 263.1	50 (3.45)	185 (85)

## A2A Replacement Parts

Pump Head Components		Part No.	QTY Req'd
<b>1</b>	Spacer	90011-217	1
<b>2</b>	Complete Roller Assembly	A2-SNGG-R	1
<b>3</b>	Tubing ( <b>Reference Tubing Matrix</b> )		1
<b>4</b>	Pump Head Cover (includes front spacer)	A2-SXX-C	1
<b>5</b>	Thumb Screws	90011-237	4
<b>6</b>	Tube Nut, Compression 3/8" Tubing	C-330-6	2
<b>7</b>	Spacer, Front	90011-217	1



\*Pump Head not for sale. For more information please contact a local sales representative.

Miscellaneous Parts*		Part No.	QTY Req'd
<b>A</b>	Stainless Steel Mounting Bracket	72000-379	1
<b>B</b>	Stainless Steel Mounting Bracket (Extended - 4-1/2"/11.43cm from base)	72000-380	1
<b>C</b>	Rubber Feet	90003-561	4
<b>D</b>	Tube Installation Tool	90002-278	1

\*Sold Separately



**A**



**B**



**C**



**D**

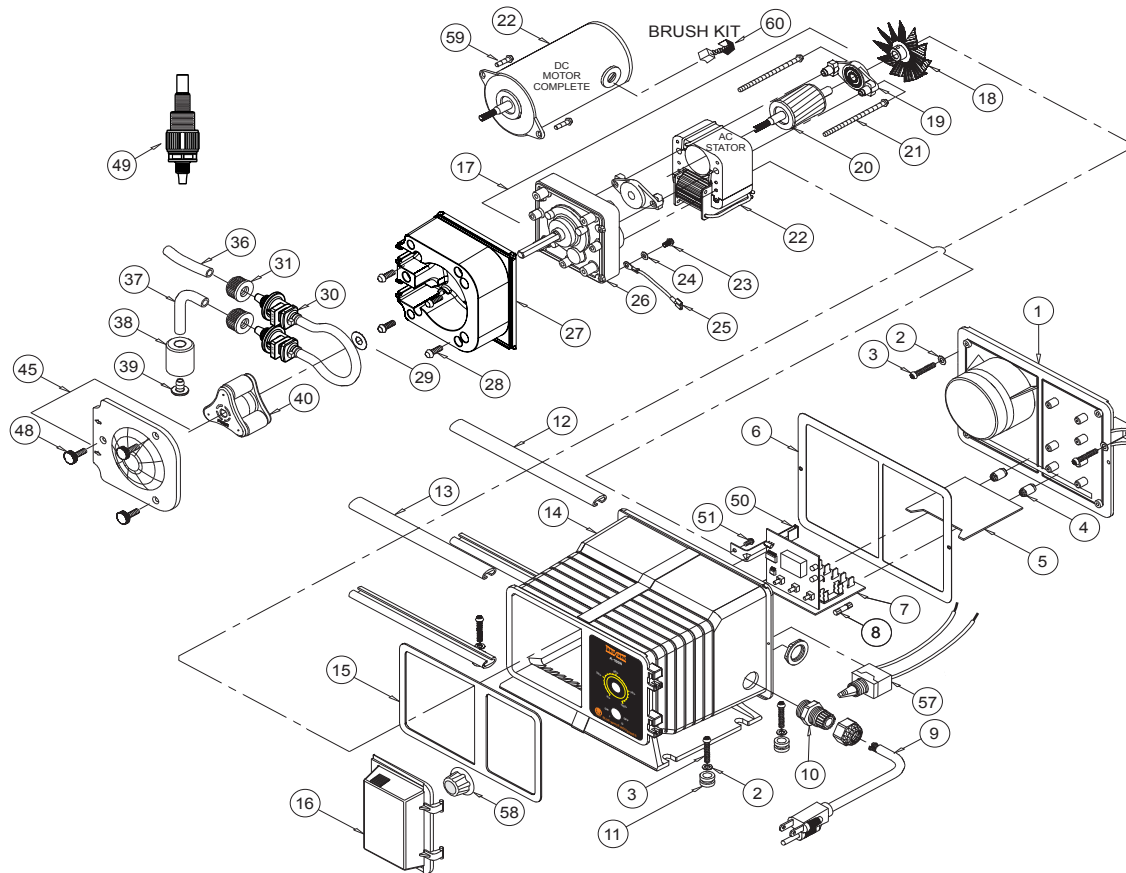
**FLEXFLO® Model Number**

<b>A2</b>	Tubing
<b>Inlet/Outlet Connection Size, Connection Type, Connection Material</b>	
<b>S</b>	3/8" OD x 1/4" ID Tube Compression Fitting, Natural PVDF (Kynar)
<b>Pump Tube Material, Pump Tube Size</b>	
<b>NEE</b>	Flex-A-Prene® .093 ID
<b>NGG</b>	Flex-A-Prene® .187 ID
<b>A2</b>	-
<b>S</b>	-
<b>NEE</b>	-
<b>T</b>	Tube Sample Model Number

**Output Specifications**

Tube Material / Size	Feed Rate			Max Pressure	Max Temperature
	GPD	LPH	mL/Min	PSI (bar)	°F (°C)
<b>Flex-A-Prene® Tube</b>					
NEE	1.32 - 132	.208 - 20.8	3.47 - 347	50 (3.45)	185 (85)
NGG	3.84 - 381.6	.60 - 60.2	10.03 - 1003	40 (2.76)	185 (85)

## A-100NA Replacement Parts



Item	Model No.	Product Name	Qty. Req.
1	71000-214	Enclosure Back With Gasket,	1
2	90011-094	Washer, #10 Stainless	2
3	90011-091	Screw, #10 X 1.0" Phillips Steel	4
6	90006-580	Gasket, Back Plate, Neoprene	1
7	A-023N-B	Percent timer (60 Sec), A-100NA	1
9	90010-300	Power Cord, 115v60hz,	1
	90010-196	Power Cord, 220v50hz,	1
	90010-133	Power Cord, 230v60hz,	1

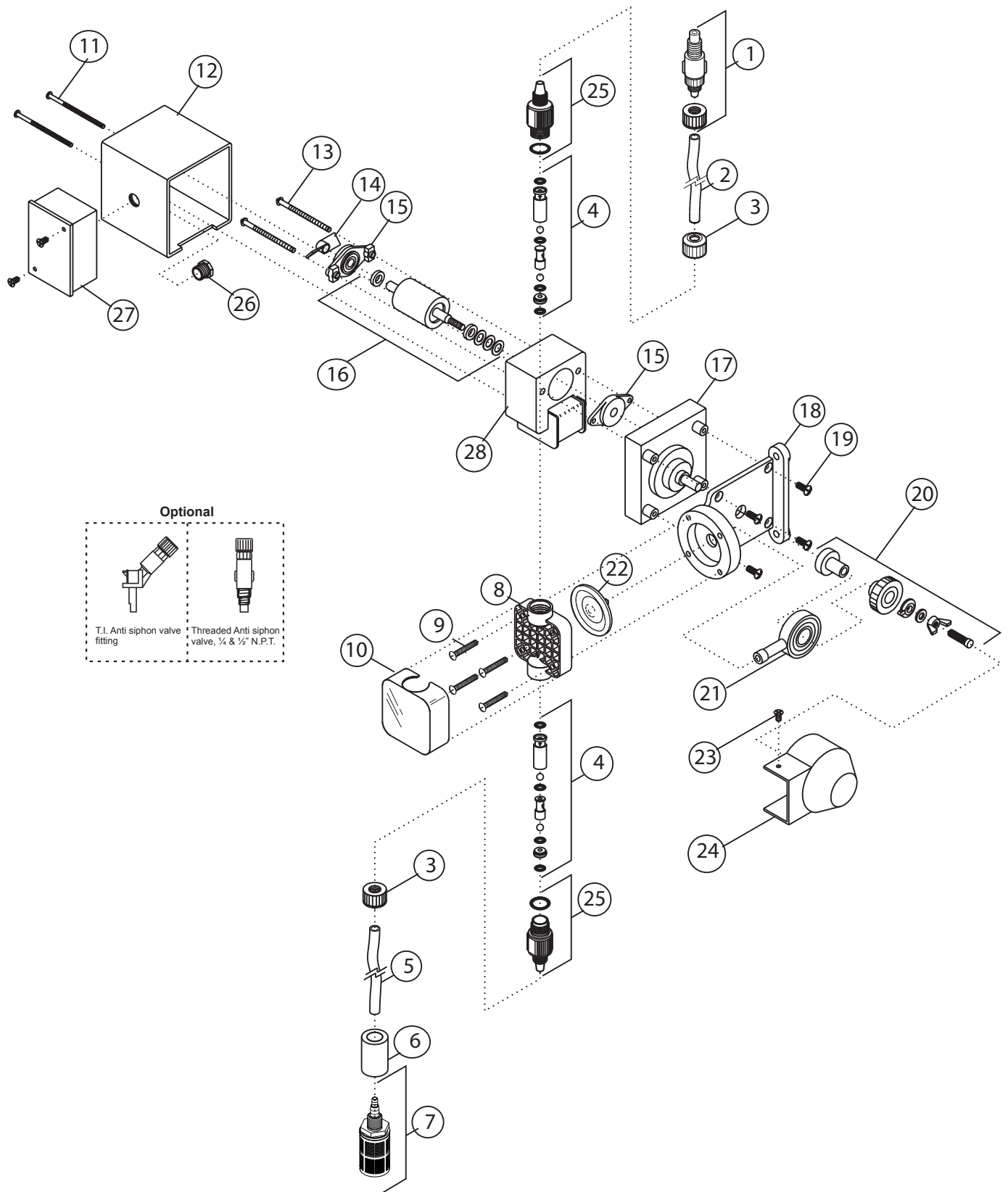
Item	Model No.	Product Name	Qty. Req.
10	A-033N	Cord Inlet Bushing	1
11	90003-559	Mounting Feet, Rubber	4
12	76001-000	Slide Clamp, Enclosure Rear	1
13	76000-999	Slide Clamp, Enclosure Front	1
14	71000-187	Encl, Percentage models - P/Cord	1
	71000-188	Encl, A-100N Fixed	1
15	90006-579	Gasket, Enclosure Front, Neoprene	1
16	90002-191	Door, Electronic Controls Cover	1

## A-100NA Replacement Parts

Item	Model No.	Product Name	Qty. Req.
<b>17</b>	70002-146	Gearmotor, 14 Rpm, 115v60hz	1
	70002-147	Gearmotor, 30 Rpm, 115v60hz	1
	70002-156	Gearmotor, 45 Rpm, 115v60hz	1
	70002-159	Gearmotor, 60 Rpm, 115v60hz	1
<b>18</b>	90006-581	Fan, Motor, 2.25" Diameter	1
<b>19</b>	C-612PB	Bearing Bracket With Bearing	2
<b>20</b>	C-616PN	Rotor 14, 30RPM With Spacers	1
	C-616PN-32	Rotor 45, 60RPM With Spacers	1
<b>21</b>	C-625	Screw, Motor, 14, 30RPM Phil	2
	C-621-32	Screw, Motor, 45, 60RPM Phil	2
<b>22</b>	71000-211	Stator 14/30RPM, 115v Blu/Yel	1
	71000-213	Stator 14/30RPM, 220v Brnt/yel	1
	71000-212	Stator 14/30RPM, 230v Red/Yel	1
	71000-466	Stator 45/60RPM, 115v Blut/Yel	1
	71000-467	Stator 45/60RPM, 220v Brn/yel	1
	71000-468	Stator 45/60RPM, 230v Red/Yel	1
<b>24</b>	90011-078	Washer, Ground Screw, #8 Star	1
<b>25</b>	90010-126	Wire, ground, Green	1
<b>26</b>	A-008-1	Gearbox, 14 Rpm	1
	A-008-2	Gearbox, 30 Rpm	1
	A-008-3	Gearbox, 45 Rpm	1
	A-008-4	Gearbox, 60 Rpm	1
<b>27</b>	71000-488	Pumphead, w/TFD sensors	1
<b>28</b>	C-624N	P/head Screw, 10-32 X .50	4
<b>29</b>	A-031	Spacer, Rotor	1

Item	Model No.	Product Name	Qty. Req.
<b>30</b>	A1-4T	Flex-A-Prene® Tube, -4T	1
	A1-6T	Flex-A-Prene® Tube, -6T	1
	A1-7T	Flex-A-Prene® Tube, -7T	1
<b>31</b>	C-330-6	Nut, Tube, .37 O.D. Tubing	1
<b>36</b>	C-335-6	Tubing, Outlet, .37 O.D.X5ft, Poly	1
<b>37</b>	C-334-6	Tubing, Inlet, .37 O.D.X5ft, PVC	1
<b>38</b>	C-346	Weight, Inlet Tubing, Ceramic	1
<b>39</b>	C-342-6	Strainer, Inlet Tube, Polypro	1
<b>40</b>	71000-159	Roller, for use with -4, -6 tubes	1
	71000-350	Roller, for use with -7 tubes	1
<b>45</b>	A1-SXX-C	Cover, P/head With Bearing	1
<b>48</b>	90011-160	Screw, P/head Cover, 8-32 X .62	3
<b>49</b>	A-014N-6A	Inj Valve, .5-.25 Mpt X .37 O.D.	1
<b>50</b>	90006-583	Motor Clip, 14, 30RPM	1
	90006-601	Motor Clip, 45, 60RPM	1
<b>51</b>	90011-146	Screw, Motor Clip, 8-32 X .25	1
<b>57</b>	A-022	Power Switch	1
<b>58</b>	A-032N	Knob, adjustment	1
<b>59</b>	90011-023	Screw, Motor, 8-32 x .50 Phill	2

# C-600P Replacement Parts



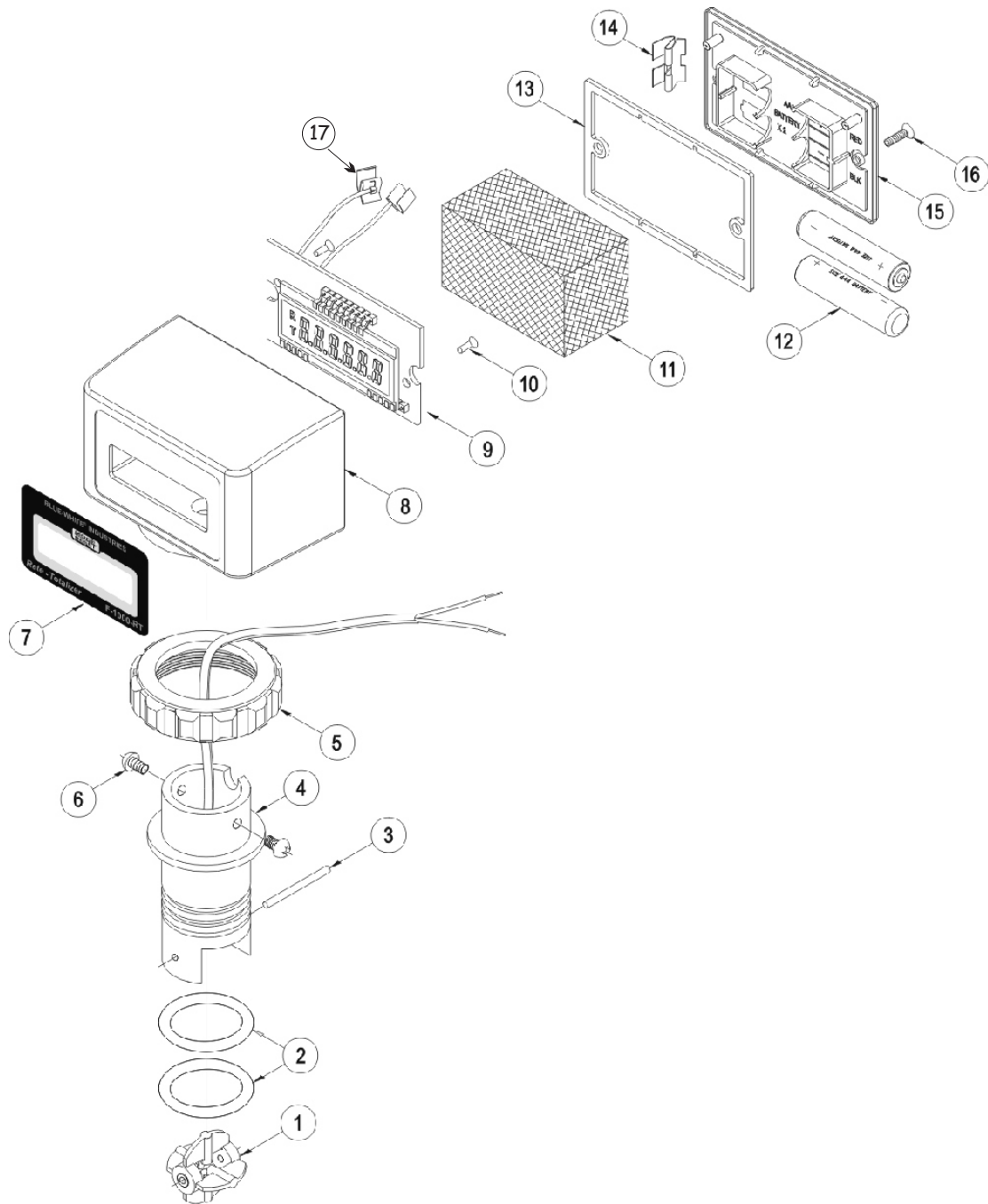


## C-600P Replacement Parts

Item	Model No.	Product Name	Qty. Req.
<b>1</b>	C-395N-6A	Injection Valve 6 Psi, Aflas	1
	C-395N-6E	Injection Valve 6 Psi, Ep (Optional)	1
<b>2</b>	C-335-6	Discharge Tubing 3/8 Od, 5ft. Opaque Poly-E	1
<b>3</b>	C-330-6	Tube Nut	2
<b>4</b>	K-568A-4	Bullet Valve (Double Ball), Aflas, 4 Pack Set	2
	K-568A-10	Bullet Valve (Double Ball), Aflas, 10 Pack Set	2
	K-568E-4	Bullet Valve (Double Ball), Ep, 4 Pack Set (Optional)	2
	K-568E-10	Bullet Valve (Double Ball), Ep, 10 pack Set(Optional)	2
<b>5</b>	C-334-6	Suction Tubing 3/8' Od, 5ft. Clear Pvc W/ Indicator	1
<b>6</b>	C-346	Ceramic Weight	1
<b>7</b>	C-340A	Foot Valve / Strainer Poly-Pro, Aflas	1
	C-340E	Foot Valve / Strainer Poly-Pro, Ep (Optional)	1
<b>8</b>	C-535	Heavy Duty Machined Pump Head	1
<b>9</b>	C-504HD	Screw, Hd Pump Head 10-32 X 1-1/4'	4
<b>10</b>	C-535FC	Pump Head Cover, CHEM-FEED Logo	1
<b>11</b>	C-628	Cover Screw 6-32 X 2-3/4' Steel	2
<b>12</b>	C-608P	Motor Cover	1
<b>13</b>	C-625	Motor Screw 8-32 X 2-1/2'	2
<b>14</b>	C-612F	Rotor Fan 1	1
<b>15</b>	C-612PB	Rotor Bearing	2
<b>16</b>	C-616PN	Rotor W/ Spacer	1
<b>17</b>	C-618P-14	Gearbox Assembly, 14 Rpm	1
	C-618P-30	Gearbox Assembly, 30 Rpm	1
	C-618P-45	Gearbox Assembly, 45 Rpm	1
	C-618P-60	Gearbox Assembly, 60 Rpm	1
	C-618P-125	Gearbox Assembly, 125 Rpm	1
	C-618P-250	Gearbox Assembly, 250 Rpm	1
<b>18</b>	C-301	Motor Mount	1
<b>19</b>	C-624	Motor Mount Screw 10-32 X 1/2'	4
<b>20</b>	C-325	Cam S/A C-600	1
<b>21</b>	C-304	Yoke W/Bearings	1
<b>22</b>	C-406T	Diaphragm Ptfе Coated, Ep	1
<b>23</b>	90011-155	Screw 6-332 X 3/8'	1
<b>24</b>	90002-201	Cam Cover	1
<b>25</b>	C-560-6E	Bullet Valve Adapter, EP O-ring	2
	C-560-6V	Buller Valve Adapter, Viton O-ring	2
<b>26</b>	90007-515	1/2" Aluminum Chase Nipple	1

Item	Model No.	Product Name	Qty. Req.
<b>27</b>	C-308J	Junction Box Complete W/ Cover and Gasket	1
<b>28</b>	C-615P-1	Stator S/A 115v/60hz, Blue-Black (Lead Wires)	1
	C-615P-2	Stator S/A 230v/60hz, Red-Black (Lead Wires)	1
	C-615P-3	Stator S/A 220v/50hz, Brown-Blue (Lead Wires)	1
	C-615P-4	Stator S/A 24v/60hz, Blue-White (Lead Wires)	1
	C-615P-5	Stator S/A 24v/50hz, White-White (Lead Wires)	1
	C-615P-6	Stator S/A 230v/60hz, Red-Yellow (Lead Wires)	1
	C-615P-8	Stator S/A 220v/50hz, Brown-Yellow (Lead Wires)	1
	C-615P-9	Stator S/A 115v/60hz, Blue-Yellow (Lead Wires)	1
	C-615P-10	Stator S/A 240v/50hz, Orange-Yellow (Lead Wires)	1
	C-615P-11	Stator S/A 240v/50hz, Orange-White (Lead Wires)	1

# F-1000 Replacement Parts

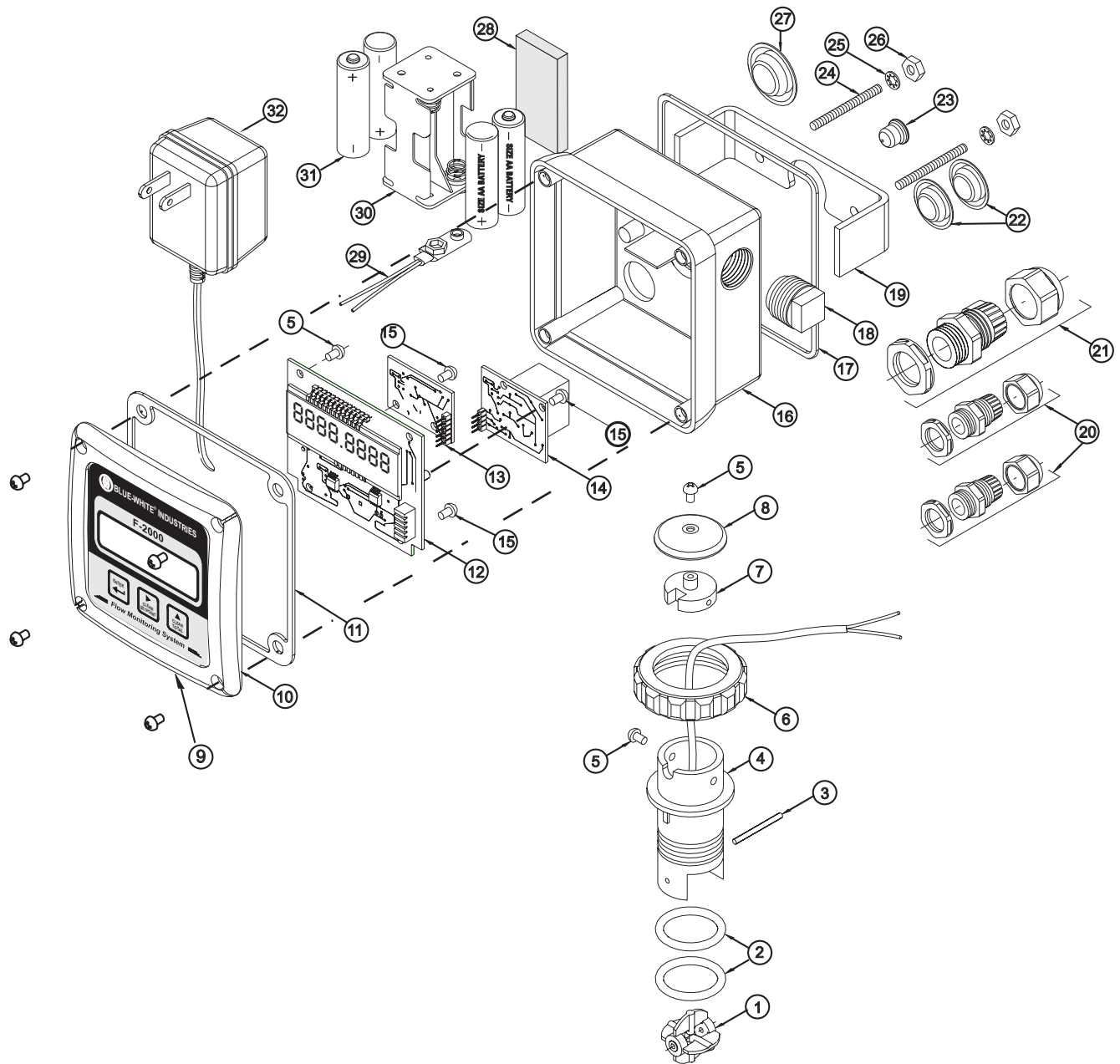


## F-1000 Replacement Parts

Item	Model No.	Product Name	Qty. Req.
<b>1</b>	70000-783	Paddle assembly PVDF (Includes Axle)	1
<b>2</b>	90003-021	O-ring 022 Viton E60	2
	90003-020	O-ring 022 EP	2
<b>3</b>	90007-589	Axle PVDF	1
	90007-567	Axle Hastelloy	1
<b>4</b>	71000-238	Sensor body assembly F-100 no paddle	1
<b>5</b>	91001-280	Union Nut	1
	90011-080	Screw #6 x .37 PH Pan B 18/8	2
<b>7</b>	90012-198	Label F-1000-RB GPM	1
	90012-199	Label F-1000-RB GPH	1
	90012-200	Label F-1000-RB LPM	1
	90012-201	Label F-1000-RB LPH	1
	90012-202	Label F-1000-RB M3H	1
	90012-221	Label F-1000-TB overlay	1
	90012-222	Label F-1000-RT overlay	1

Item	Model No.	Product Name	Qty. Req.
<b>8</b>	76001-187	Housing F-1000	1
	RBC-pipe-units	Circuit board for model RB. Must specify pipe	1
	TBC-pipe-units	Circuit board for model TB. Must specify pipe	1
	RTC-pipe-units	Circuit board for model RT. Must specify pipe	1
	90011-169	Screw #4 .25 Phil Pan "A"	1
	90013-260	Foam pad 1.25 x 1.25 x 2.25	1
	90008-318	Battery each AAA	2
<b>13</b>	90006-590	Gasket F-1000	1
<b>14</b>	90008-319	Battery clip F-1000	1
<b>15</b>	90002-203	Rear plate F-1000	1
<b>16</b>	90011-113	Screw #4 .50 Phil oval "A"	2
<b>17</b>	90010-241	Battery Connector	1
<b>N/S</b>	F-900K	Service Removal Plug	

# F-2000 Replacement Parts



## F-2000 Replacement Parts

Item	Model No.	Product Name	Qty. Req.
<b>1</b>	70000-783	Paddle Assembly PVDF	1
<b>2</b>	F-4410V	O-Ring 022 Viton E60	2
	F-4410E	O-Ring 022 EP	2
<b>3</b>	90007-589	Axle PVDF	1
	90007-567	Axle Hastelloy	1
<b>4</b>	71000-238	Sensor Body Ac Coil 1' Cable	1
	71000-285	Sensor Body Ac Coil 25' Cable	1
	70000-806	Sensor Body Hall Effect 25' Cable	1
<b>5</b>	90011-080	Screw #6-32 X .37 Ph Pan B 18/8	5
<b>6</b>	91001-280	Union Nut	1
<b>7</b>	76002-023	Retainer Sensor Cap	1
<b>8</b>	90006-550	Cap Sensor Body SS	1
<b>9</b>	90012-208	Switch Overlay F-2000	1
<b>10</b>	71000-356	Cover F-2000 W/ Switch Overlay	1
<b>11</b>	90006-592	Gasket F-2000 Housing Neoprene	1
<b>12</b>	90010-227	Circuit Board F-2000 Rt	1
<b>13</b>	KIT-AO	Kit Circuitry Model F-2000 AO	1
<b>14</b>	KIT-PB	Kit Circuitry Model F-2000 PB	1
<b>14</b>	KIT-PC	Kit Circuitry Model F-2000 PC	1
<b>15</b>	90011-155	Screw #6-32 X .31 Ph Pan SS	4
<b>16</b>	76001-150	Enclosure F-2000 Panel Mount	1

Item	Model No.	Product Name	Qty. Req.
<b>17</b>	90006-593	Gasket F-2000 1/4 Din Panel Mount	1
<b>18</b>	90008-331	Cap Plug P-48 1/2 Npt Red F-2000	1
<b>19</b>	71000-294	Kit F-2000 1/4 Din Panel Mount	1
<b>20</b>	71000-730	Connector Liquid-Tight 1/2 In.	2
<b>21</b>	A-033N	Connector Liquid-Tight 3/4 In.	1
<b>22</b>	90008-332	Plug 1/2 In.	2
<b>23</b>	90008-340	Cap Plug Vtp-25 Red	1
<b>24</b>	90011-038	Stud Screw #10-32 1.62 Long	2
<b>25</b>	90011-092	Star Washer #10-32	2
<b>26</b>	90011-026	Hex Nut #10-32	2
<b>27</b>	90008-333	Plug 7/8 In.	1
<b>28</b>	90013-261	Foam Pad 1/4 In. Thick	1
<b>29</b>	90008-254	Battery Clip	1
<b>30</b>	90010-233	Battery Holder F-2000 4x AA	1
<b>31</b>	90008-330	Battery alkaline AA	4
<b>32</b>	90008-336	Power Supply 115VAC/15VDC	1
	71010-072	Power Supply 220VAC/15VDC Europe	1
	71000-310	Power Supply 230VAC/15VDC	1
<b>N/S</b>	F-900K	Service Removal Plug	

## F-1000 & F-2000 Pipe Fittings

### Polypropylene Molded In-Line Pipe Fittings -

Pipe Size	GPM Range	LPM Range	Max. PSI Drop	Model Number	
				American M/NPT	British Pipe M/BSPT
3/8"	.8 - 8	3 - 30	2.3	38M1	38MB1
3/8"	.4 - 4	1 - 10	8.7	38M2	38MB2
1/2"	2 - 20	7 - 70	3.5	50M1	50MB1
3/4"	3 - 30	11 - 110	1.9	75M1	75MB1
1"	5 - 50	20 - 200	1.6	10M1	10MB1
1 1/2"	6 - 60	25 - 250	1.0	15M2	15MB2
2"	10 - 100	40 - 400	0.9	20M3	20MB3
2"	20 - 200	70 - 700	1.0	20M4	20MB4

### Standard Saddle Mount Pipe Fittings -

Pipe Size	GPM Range	LPM Range	Material	Model Number	
				Schedule 40	Schedule 80
1 1/2"	15 - 150	60 - 600	PVDF	15K4/S4	15K8/S8
2"	30 - 300	100 - 1000	PVDF	20K4/S4	20K8/S8
2 1/2"	40 - 400	150 - 1500	PVC	25A4/S4	25A8/S8
3"	60 - 600	250 - 2500	PVDF	30K4/S4	30K8/S8
4"	100 - 1000	400 - 4000	PVC	40A4/S4	40A8/S8
6"	250 - 2500	900 - 9000	PVC	60A4/S4	60A8/S8
8"	400 - 4000	1600 - 16000	PVC	80A4/S4	80A8/S8
10"	600 - 6000	2400 - 24000	PVC	100A4/S4	100A8/S8
12"	800 - 8000	3200 - 32000	PVC	120A4/S4	120A8/S8

\*Saddle Mount pipe fittings include: alignment tool, o-rings, clamps, and union nut.

### Metric Saddle Mount Pipe Fittings -

DIN 8062	LPM Range	Material	Model Number	Model Number
			METRIC PN10	METRIC PN16
50mm	70 - 700	PVDF	05K0/P0	05K6/P6
63mm	110 - 1100	PVDF	06K0/P0	06K6/P6
75mm	150 - 1500	PVC	07A0/P0	07A6/P6
90mm	230 - 2300	PVDF	09K0/P0	09K6/P6
110mm	350 - 3500	PVC	11A0/P0	11A6/P6
160mm	720 - 7200	PVC	16A0/P0	16A6/P6
200mm	1150 - 11500	PVC	20A0/P0	20A6/P6
250mm	1700 - 17000	PVC	25A0/P0	
315mm	2700 - 27000	PVC	31A0/P0	

\*Saddle Mount pipe fittings include: alignment tool, o-rings, clamps, and union nut.

### PVC TEE Pipe Fittings -

Pipe Size	GPM Range	LPM Range	Material	Model Number
1"	6 - 60	25 - 250	PVC	10AT
1 1/2"	15 - 150	60 - 600	PVC	15AT
2"	30 - 300	100 - 1000	PVC	20AT
3"	60 - 600	230 - 2300	PVC	30AT



20AT  
PVC

### Pipe sizes: 3/8" - 2" M/NPT

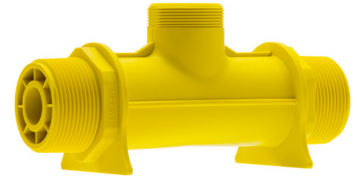
#### MOLDED IN-LINE FEATURES

- One piece injection molded construction
- Male pipe thread In-line installation
- Polypropylene fittings for standard applications

#### MOLDED IN-LINE SPECIFICATIONS

**Max PSI** - 300 psi (20 bar) @ 70F (21C)  
**Max Temp** - 200F (93C) @ 0 psi

20M3  
Polypropylene



### Pipe sizes: 1-12" (50-315mm)

#### SADDLE FEATURES

- 1 1/2" - 3" (50-90mm) injection molded PVDF
- 4" - 12" (110 - 315mm) machined PVC
- Installs on existing pipe - no other fittings required
- No added pressure drop to system

#### SADDLE SPECIFICATIONS

**Max PSI** - 300 psi (20 bar) @ 70F (21C)  
**Max Temp** - (PVDF) 200F (93C) @ 0 psi  
(PVC) 140F (60C) @ 0 psi

15K8  
PVDF



80A4  
PVC

### Pipe sizes: 1-3"

#### TEE FEATURES

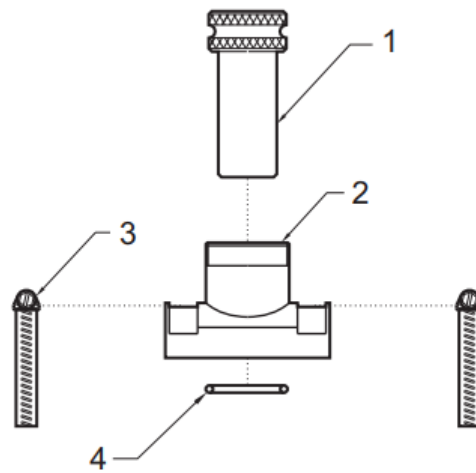
- Easy to install
- No added pressure drop to system

#### TEE SPECIFICATIONS

**Max PSI** - 200 psi (13.8 bar) @ 70F (21C)  
**Max Temp** - 140F (60C) @ 0 psi

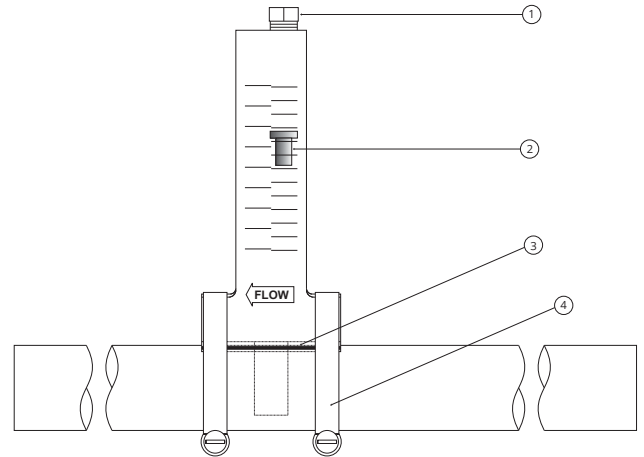
## F-1000/F-2000 Fittings Replacement Parts

Item	Model No.	Product Name	Qty. Req.
<b>1</b>	76000-830	Alignment/Service Tool	1
<b>2</b>		See Pipe Fitting Kits, previous page	1
<b>3</b>	F-3028	Clamp #28, for 1.5" pipe	2
	F-3040	Clamp #40, for 2" pipe	2
	F-3048	Clamp #48, for 2.5" pipe	2
	F-3025	Clamp #52, for 3" pipe	2
	F-3072	Clamp #72, for 4" pipe	2
	F-3116	Clamp #116, for 6" pipe	2
	F-3152	Clamp #152, for 8" pipe	2
	F-3188	Clamp #188, for 10" pipe	2
	F-3224	Clamp #224, for 12" pipe	2
<b>4</b>	90003-108	O-ring / FKM for 1.5", 2", 3"	1
	90003-114	O-ring / FKM for 2.5", 4", 6", 8", 10", 12"	1
	90003-109	O-ring / EP for 1.5", 2", 3"	1
	90003-135	O-ring / EP for 2.5", 4", 6", 8", 10", 12"	1



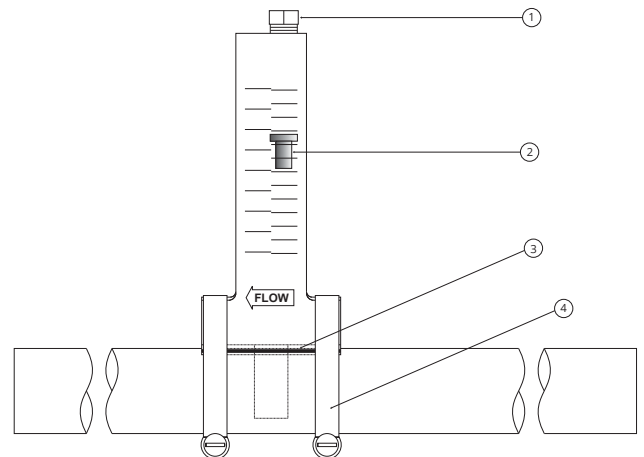
## F-300 Replacement Parts

Item	Model No.	Product Name	Qty. Req.
<b>1</b>	F-3005	Cap Plug For all F-300, D-300 & U-300	1
<b>2</b>	F-3020	Long Float, red PVDF 1" through 1.25"	1
	F-3022	Short Float, red PVDF 1.5" through 8"	1
<b>3</b>	F-3003	Gasket Seal 1" through 4"	1
	F-3004	Gasket Seal 6" through 8"	1
<b>4</b>	90008-667	Mounting Clamp F-30100P, F-30125P	2
	90008-652	Mounting Clamp F-30200P, F-30150P	2
	90008-013	Mounting Clamp D-30150P, U-30150P	2
	90008-668	Mounting Clamp F-30250P	2
	90008-015	Mounting Clamp D-30200P, U-30200P	2
	90008-669	Mounting Clamp F-30300P	2
	90008-673	Mounting Clamp F-30400P	2
	90008-674	Mounting Clamp F-30600P	2
	90008-675	Mounting Clamp F-30800P	2



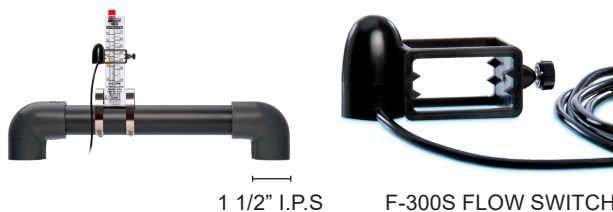
## R-300 Replacement Parts

Item	Model No.	Product Name	Qty. Req.
<b>1</b>	91001-327	Blue Cap Plug	1
<b>2</b>	71010-697	Short Float, blue PVDF 1.5" through 2.5"	1
<b>3</b>	F-3003	Gasket Seal, for all pipe sizes	1
<b>4</b>	90008-652	Mounting Clamp, R-315 & R-320	2
	90008-668	Mounting Clamp, R-325	2



## R-300 Flow Switch

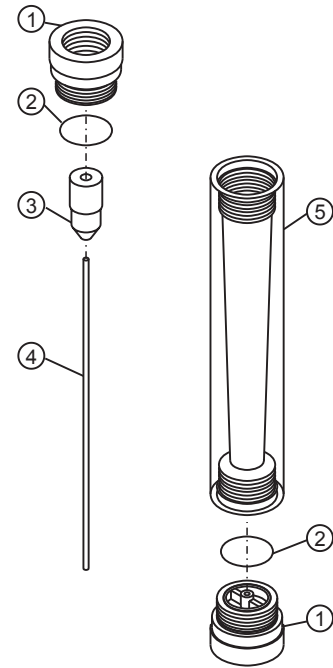
MODEL NO.	PIPE SIZES
F-300S	1.5" - 4"
F-300SL	1" - 1.25"





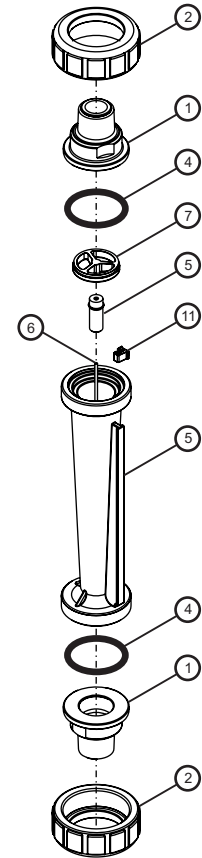
## F-400 Replacement Parts

Item	Model No.	Product Name	Qty. Req.
<b>1</b>	F-4019	1/4" FPT Adapter (PP)	2
	F-4001NS	3/8" FPT Adapter (PP)	2
	F-4003NS	1/2" FPT Adapter (PP)	2
<b>2</b>	90003-119	O-ring, 117, (Viton)	2
	90003-142	O-ring, 117, (EP)	2
<b>3</b>	-	Float (SS)	1
<b>4</b>	F-4004	Guide wire, (SS)	1
<b>5</b>	-	Meterbody (Acrylic)	1



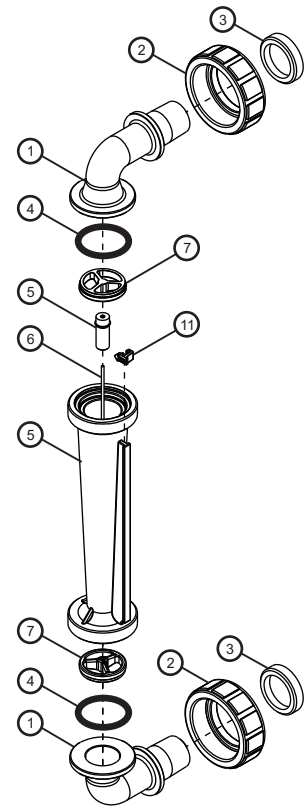
## F-440 (In-Line) Replacement Parts

Item	Model No.	Product Name	Qty. Req.
<b>1</b>	F-44N07	3/8" Male NPT in-line adapter, Polysulfone	2
	F-44N08	1/2" Male NPT in-line, Polysulfone	2
	F-44N09	3/4" Male NPT in-line, Polysulfone, large body	2
	F-45N013	1/2" Male NPT in-line, Polysulfone, large body	2
<b>2</b>	F-44N05	3/8" and 1/2" Half Union, Nylon	2
	F-44N06	3/4" Half Union, Nylon	2
<b>4</b>	90003-152	3/8" and 1/2" O-ring seal, Viton	2
	90003-627	3/8" and 1/2" O-ring seal, EP	2
	90003-082	3/4" O-ring seal, Viton	2
	F-5026X	3/4" O-ring seal, EP	2
<b>5</b>	N/A	Meterbody and Float not sold separately	1
<b>6</b>	F-44N14	3/8" and 1/2" Guide Rod, 316 Stainless Steel	1
	F-44N15	3/4" Guide Rod, 316 Stainless Steel	1
<b>7</b>	F-45N007	1/2" Guide Rod holder, Polysulfone	2
	F-45N019	3/4" Guide Rod holder, Polysulfone	2
<b>11</b>	F-45N043	Indicator, Red	1



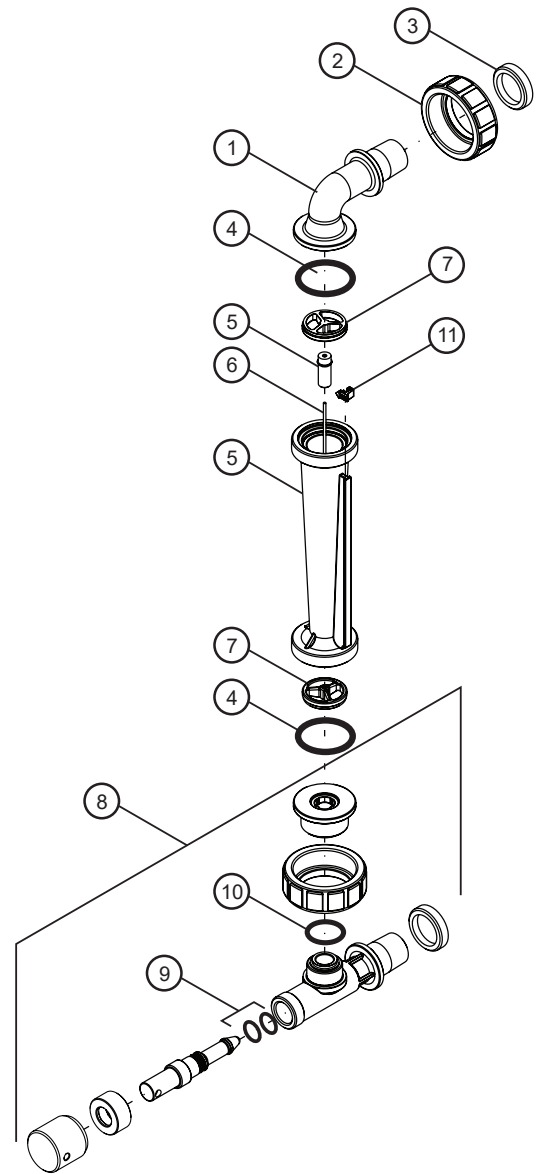
## F-440E Elbow (Panel Mount) Replacement Parts

Item	Model No.	Product Name	Qty. Req.
<b>1</b>	F-44N40	3/8" Male NPT 90° Elbow, Polysulfone	2
	F-44N20	1/2" Male NPT 90° Elbow, Polysulfone	2
	F-44N21	3/4" Male NPT 90° Elbow, Polysulfone	2
	F-44N42	1/2" Male NPT 90° Elbow, Polysulfone	2
<b>2</b>	F-44N05	3/8" and 1/2" Half Union, Nylon	2
	F-44N06	3/4" Half Union, Nylon	2
<b>3</b>	F-4427A	3/8" and 1/2" Panel mount lock nut	2
	F-4428A	3/4" Panel mount lock nut	2
<b>4</b>	90003-152	3/8" and 1/2" O-ring seal, FKM	2
	90003-627	3/8" and 1/2" O-ring seal, EP	2
	90003-082	3/4" O-ring seal, FKM	2
	F-5026X	3/4" O-ring seal, EP	2
<b>5</b>	N/A	Meterbody and Float (sold together)	1
<b>6</b>	F-44N14	3/8" & 1/2" Guide Rod, 316 SS	1
	F-44N15	3/4" Guide, 316 SS	1
<b>7</b>	F-45N007	1/2" Guide Rod holder, Polysulfone	2
	F-45N019	3/4" Guide Rod holder, Polysulfone	2
<b>11</b>	F-45N043	Indicator, Red	1



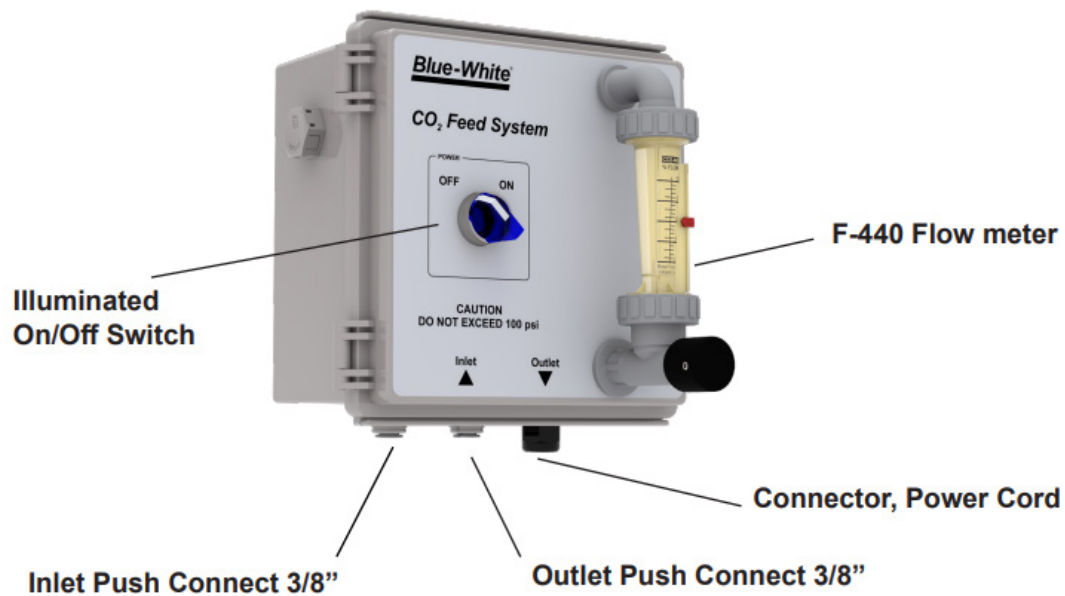
## F-440A - Adjustable (Panel Mount)

Item	Model No.	Product Name	Qty. Req.
<b>1</b>	F-44N40	3/8" Male NPT 90° Elbow, Polysulfone	2
	F-44N20	1/2" Male NPT 90° Elbow, Polysulfone	2
	F-44N21	3/4" Male NPT 90° Elbow, Polysulfone	2
	F-44N42	1/2" Male NPT 90° Elbow, Polysulfone	2
<b>2</b>	F-44N05	3/8" and 1/2" Half Union, Nylon	2
	F-44N06	3/4" Half Union, Nylon	2
<b>3</b>	F-4427A	3/8" and 1/2" Panel mount lock nut	2
	F-4428A	3/4" Panel mount lock nut	2
<b>4</b>	90003-152	3/8" and 1/2" O-ring seal, FKM	2
	90003-627	3/8" and 1/2" O-ring seal, EP	2
	90003-082	3/4" O-ring seal, FKM	2
	F-5026X	3/4" O-ring seal, EP	2
<b>5</b>	N/A	Meterbody and Float (sold together)	1
<b>6</b>	F-44N14	3/8" & 1/2" Guide Rod, 316 SS	1
	F-44N15	3/4" Guide Rod, 316 SS	1
<b>7</b>	F-45N007	1/2" Guide Rod holder, Polysulfone	2
	F-45N019	3/4" Guide Rod holder, Polysulfone	2
<b>8</b>	F-44N40-1	3/8" M/NPT Valve Assm. Sm, Poly, FKM seal	1
	F-44N40-2	1/2" M/NPT Valve Assm. Sm, Poly, FKM seal	1
	F-45N031-1	3/8" M/NPT Valve Assm. Lg, Poly, FKM seal	1
	F-45N031-2	1/2" M/NPT Valve Assm. Lg, Poly, FKM seal	1
	F-45N031-3	3/4" M/NPT Valve Assm. Lg, Poly, FKM seal	1
<b>9</b>	90003-010	O-Ring, FKM	2
	90003-597	O-Ring, EP	2
<b>10</b>	90003-071	O-Ring, FKM	1
	90003-018	O-Ring, EP	1
<b>11</b>	F-45N043	Indicator, Red	1



## CO<sub>2</sub> Feed System Replacement Parts

Item	Part No.	Description	Qty. Req.
1	90010-731	On/Off Switch, Illuminated	1
2	71010-935	F-440 Flow Meter	1
3	90018-022	3/8 in. Polyurethane Tubing	1
4	90018-010	Push Connector, Elbow	2
5	90010-733	Solenoid Valve, SS	1
6	90010-110	Power Cord, 6 ft	1
7	90008-035	Connector, Liquid Tight, Power Cord	1
8	90018-009	Push Connector, Inlet/Outlet	2



# Notes:

# Notes:

