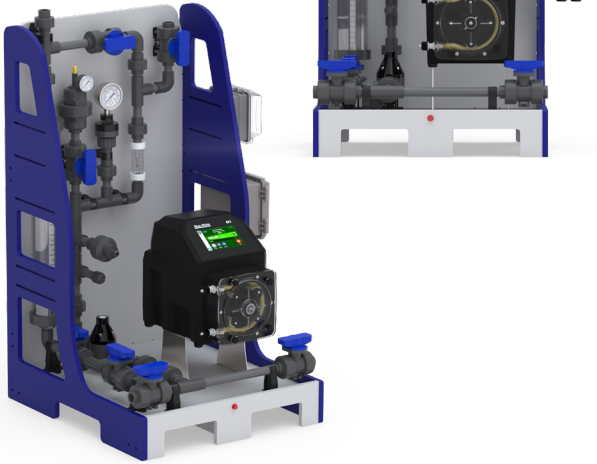


CFCS-1

CHEM-FEED® Compact Single Skid System

Features

- > The pre-fabricated design allows for easy installation
- > Strong, lightweight polyethylene structure
- > Compact design fits into small spaces
- > Dual side inlets enable connection of multiple skids to the same inlet
- > Unions used for simple component replacement
- > Flow Indicator provides a visual indication of chemical movement
- > Built-in fluid containment



Highlights

Piping

PVC Schedule 80
(optional CPVC)

Pressure

150 PSI
(10.3 bar)

Compatibility

A1/M1, A2/M2, A3/M3,
A4/M4, C2/C3, CD1/
MD1, CD3/MD3

Frame material

Polyethylene

Mounting position

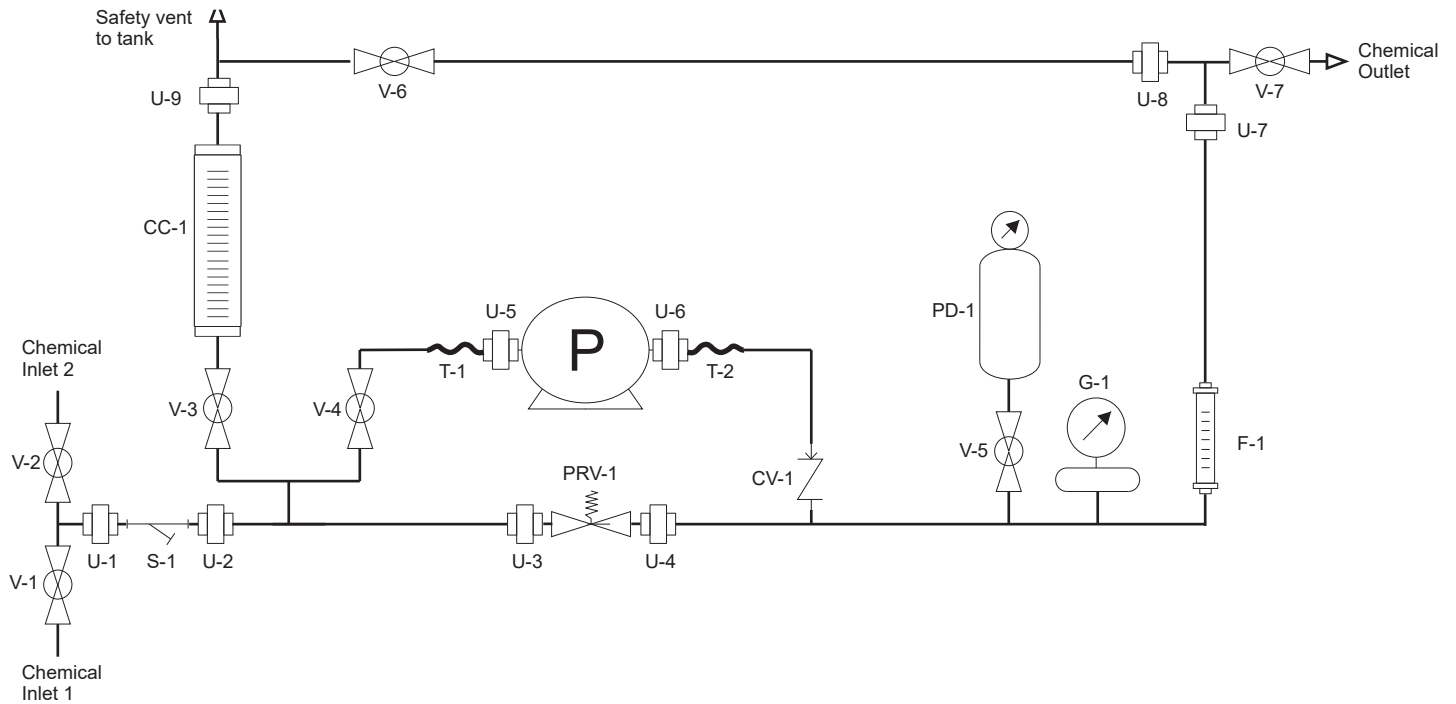
Floor or wall

Warranty

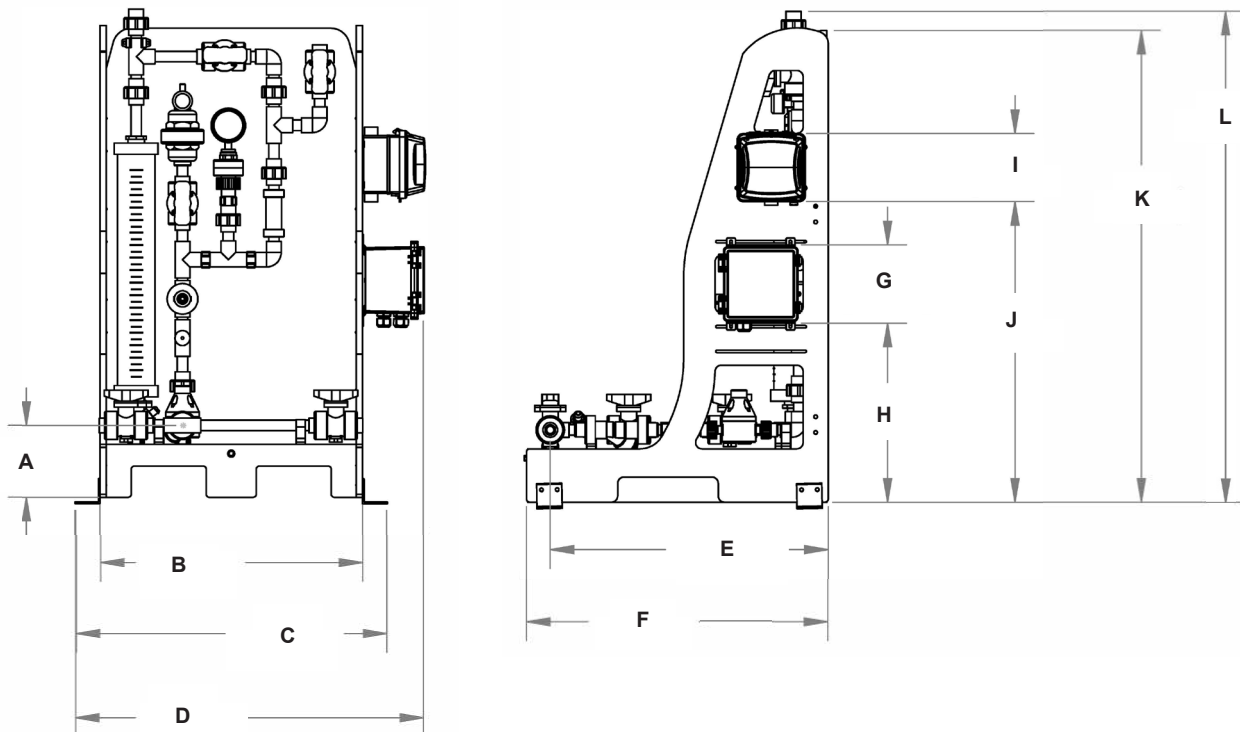
2 Years

Skid	Chemically resistant polyethylene structure. Welded joint construction
Pump (sold separately)	FLEXFLO® A1/M1, M1/M2, A3/M3 or A4/M4 peristaltic pumps CHEM-FEED® CD1/MD1, C2, C3, or CD3/MD3 diaphragm pumps
Piping	PVC Schedule 80 (optional CPVC)
Seals	FKM (optional EPDM)
Tubing (T)	Reinforced braided 1/2" PVC, 200 psi max, certified NSF 51 / NSF 61, or 1/2" PTFE, or 1/4" PE, or 1/4" PTFE. The pump inlet and outlet flexible tubing connections are terminated base on type of pump provided. Refer to Adapter Kits sheet 85000-198.
Tubing Clamps	300 series SS band, 400 series SS screw
Unions (U)	PVC body, schedule 80 (CPVC optional)
Ball Valves (V)	Vented ball, True unions, PVC body, PTFE shaft bearings and seats (CPVC optional)
Pressure Relief Valve (PRV)	PVC body, PTFE primary diaphragm seal. Non-wetted components: EPDM secondary seal, zinc plated steel spring, stainless steel external hardware, HDPE pressure adjusting screw and locknut. Infinite adjustment from 10-150 psi. Maximum inlet pressure 150 psi. (CPVC optional)
Calibration Cylinder (CC)	PVC body, PVC end caps, 1/2" ID PVC pipe outlet vent. Available volumes: 3 GPH (100ml), 8 GPH (250ml), 16 GPH (500ml), 32 GPH (1000ml). 64 GPH (2000ml). (Glass optional - except 2000ml)
Pulsation Dampener (PD)	CPVC body, 10 cubic inch volume, FKM bladder (optional EPDM bladder)
Gauge W/Guard (G)	Gauge: liquid filled stainless steel with blowout plug, bottom mount, 1/4" NPT threads. Available pressure ranges: 0-30 psi, 0-100, psi, 0-200 psi. Guard: PVC body w/union, PTFE diaphragm seal, temperature compensated oil filled.
Check Valve (CV)	PVC body, FKM diaphragm (optional EPDM). Cracking pressure: 1.0-1.5 psi. Maximum working pressure: inlet = 150 psi, back = 100 psi. (CPVC optional)
Flow Indicator (F)	Machined cast acrylic, PVC or CPVC connections, ceramic ball, PVDF ball stop, Polypro half unions.
Y Strainer (S)	PVC body (CPVC optional)
Universal Mounting Blocks	PA12
Pump Extended Mounting Brackets (not included)	316 Stainless Steel
Skid Mounting Foot Pads	316 Stainless Steel
Mounting Hardware	18-8 Stainless Steel
Drip Containment	Integral - 1" deep - 1.8 gallons (6.8 L) total containment
Maximum Working Pressure	150 psig (10.3 bar)
Operating Temperature	14 °F to 115 °F (-10 °C to 46 °C)
Approximate Shipping Weight	60 lb. (27.2 Kg)

Piping and Instrumentation Diagrams



Dimensions



Dim	Inch	cm	Dim	Inch	cm	Dim	Inch	cm
A	5.75"	14.60	E	22.11"	56.16	I	5.42"	13.77
B	21.00"	53.34	F	24.00"	61.00	J	23.92"	60.76
C	24.88"	63.20	G	6.24"	15.85	K	37.53"	95.33
D	27.86"	70.76	H	14.24"	36.17	L	39.05"	99.20

Model Number Matrix

CFCS-1

CHEM-FEED® Compact Skid System Matrix - Simplex

CFCS-1 Single pump system - single chemical / single outlet - PE structure

Inlet/Outlet

A Single Inlet / Single Outlet

X None, Skid Panel Only

Piping/Unions

A PVC

B CPVC

Seals

V FKM

E EPDM

Tubing Connections (Verify tubing connection matches pump outlet when ordering)

A 1/2" ID
PVC Braided

B 1/2" ID
PTFE

C 1/4" ID
PE

D 1/4" ID
PTFE

Calibration Column

B 64 GPH (2000 mL) PVC

P 32 GPH (1000 mL) Glass

C 32 GPH (1000 mL) PVC

Q 16 GPH (500 mL) Glass

D 16 GPH (500 mL) PVC

R 6 GPH (200 mL) Glass

E 8 GPH (250 mL) PVC

S 3 GPH (100 mL) Glass

F 3 GPH (100 mL) PVC

Pulsation Dampener

P 10 cubic in

X Not Included

Pressure Gauge w/Guard

A 200 PSI

B 100 PSI

C 30 PSI

Terminal Box

TA S Series Pumps

TD 3 & 4 series
(Legacy)

TB 1 Series Pumps

X Not Included

TC A2/M2/C2/C3

Pumps

P Mounted*

X Not Included

*reference Adapter Kits Sheet 85000-198 when ordering with pumps utilizing "M = 1/2"MNPT " or "F = 1/2"FNPT" connections.

CFCS-1 X A A V A - B P X A X X TA P Sample Model Number

NOTE: When ordering pumps for skids, pump head orientation is standard LEFT facing only. All skids are pressure tested prior to shipment. Pumps are purchased and shipped separately. Contact factory for quote/pricing on 5-point performance testing.

Customer is responsible for ensuring skid components are compatible with any chemicals being used.

NOTE: All skid systems ship with the following in/out union connections: 1/2" PVC female NPT, 1/2" PVC slip glue.