

# A-100NC

**Fixed Speed**

**Dial Knob Control**

**5 second cycle timer**



## Features:

- Peristaltic pump design does not have valves that can clog requiring maintenance.
- Self priming - even against maximum line pressure. By-pass valves are not required. Cannot vapor lock or lose prime.
- Outputs to 5.17 GPH (19.56 LPH).
- Output pressures to 100 PSI (6.9 bar).
- Output volume is not effected by changes in back pressure.
- Patented pump tube design installs easily and stays centered on the rollers without manual adjustment.
- Two pump tubes supplied with each pump. No extra tubing required.
- Easy to use dial knob output control.
- 20:1 turndown ratio.
- Adjustable 5 second repeating interval timer. 0.25 - 5.0 second adjustable on time per 5 second cycle.
- Built-in Tube Failure Detection system (TFD). Senses chemical in the pump head, shuts off the pump and activates an NPN open collector output.
- Compatible with Blue-White's output flow verification sensor system.
- Durable housing of chemical resistant Valox (PBT) thermoplastic.

## Specifications:

Max. working pressure: .....100 psig (6.9 bar)

Max. fluid temperature: .....130° F (54° C)

Max. ambient temperature: ..14° to 110° F/ -10° to 43° C

Output adjustment range: ....5-100%

Duty cycle:.....Continuous

Maximum viscosity: .....5,000 Centipoise

Maximum suction lift: .....30 ft. Water 0 psig

Maximum Solids: .....50% by volume

Enclosure: .....NEMA 3R, (IP23)

Approximate shipping wt: ...10 lb. (4.5 kg)

Voltage (max amp): .....115VAC/60Hz, 14 & 30 rpm = 1.37 amp  
45 & 60 rpm = 1.87 amp  
230VAC/60Hz, 14 & 30 rpm = 0.64 amp  
45 & 60 rpm = 0.74 amp  
220VAC/50Hz, 14 & 30 rpm = 0.68 amp  
45 & 60 rpm = 1.14 amp  
240VAC/50Hz, 14 & 30 rpm = 0.66 amp  
45 & 60 rpm = 1.04 amp

Power Cord Plug Type:.....115V60Hz = NEMA 5/15 (USA)  
230V60Hz = NEMA 6/15 (USA)  
220V50Hz = CEE 7/VII (EUROPE)  
240V50Hz = CEE 7/VII (EUROPE)

## Materials of Construction:

### Wetted components:

Pump Tube Assembly:.....Flex-A-Prene®, Flex-A-Thane® or FKM tubing  
PVDF tube assembly connection fittings

Suction Tubing:.....Clear PVC

Suction Strainer: .....Natural Polypropylene

Discharge Tubing:.....Natural Polyethylene (LLDPE)

Injection/Check valve:

Body & insert: .....Polypropylene (optional PVDF)

Check Ball: .....Ceramic

Spring: .....Hastelloy C-276

Ball Seat O-ring:.....TFE/P (optional EP)

Static Seal O-ring: .....FKM (optional EP)

### Non-Wetted components:

Pump Head & Enclosure: .....Valox® (PBT) thermoplastic

Pump Head Cover: .....Clear Acrylic

Cover Screws: .....300 Stainless, Polypropylene cap

Roller Assembly:

Rotor: .....Valox® (PBT)

Rollers: .....Nylon

Roller Bearings: .....Bronze

Motor Shaft: .....Nickel plated steel

TFD System Sensor pins: .....Hastelloy C-276

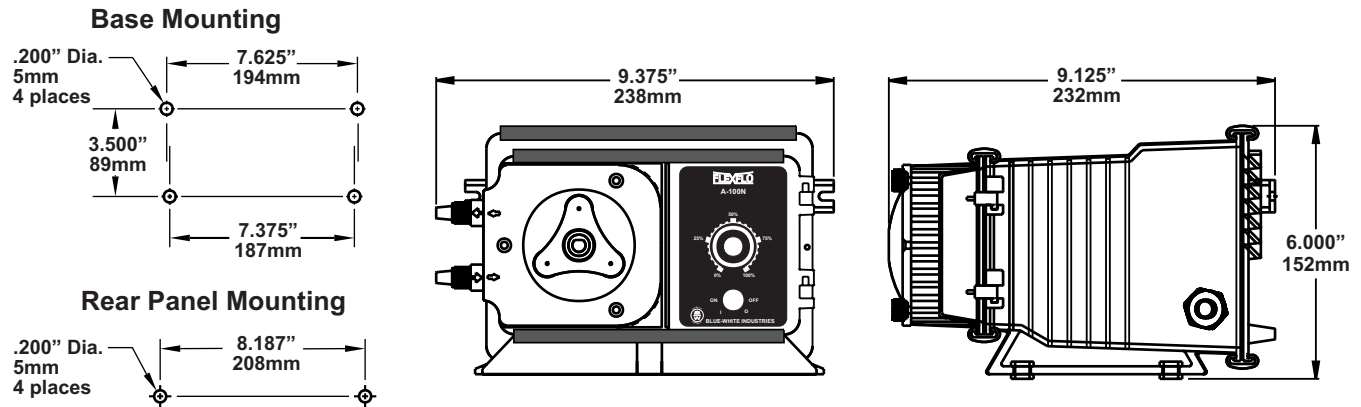
Power Cord: .....3 conductor, SJTW-A Water-resistant

# Blue-White®

## FLEXFLO® Peristaltic Metering Pumps

Industries, Ltd.

### Dimensions:



### Model Number Matrix:

MODEL A1N [ ] [ ] C - [ ] [ ] [ ]

#### Maximum Motor RPM

0 = 14 RPM  
1 = 30 RPM  
2 = 45 RPM  
3 = 60 RPM

#### Power Supply

0 = 115V60Hz, power cord NEMA 5/15 (US)  
1 = 220V50Hz, power cord CEE 7/VII plug (EU)  
2 = 230V60Hz, power cord NEMA 6/15 (US)  
8 = 240V50Hz, power cord AS 3112 (ANZ)  
9 = 230V50Hz, power cord BS 1363 (UK)

#### Output Control

V = Digital speed control with external input  
F = Analog speed control  
E = Digital batch timer with external input  
A = Analog timer, 60 sec. Cycle - 100% duty  
C = Analog timer, 5 sec. Cycle - 100% duty  
S = Analog timer, 60 sec. Cycle - 10% duty  
X = No output control - fixed feed rate

#### Miscellaneous Options (not required)

1 = T140-6V injector replaces A-014N-6A  
2 = C-340V footvalve replaces C-342-6 strainer  
5 = A-014NK-6A injector PVDF  
6 = Jumper set for digital square wave input  
T7 = 7 gallon chemical tank system  
T15 = 15 gallon chemical tank system  
T30 = 30 gallon chemical tank system  
X = NSF61 certified (ships without accessories)

#### Tubing Connection Type

T = Compression tube nuts

#### Pump Tube Size and Material

1 = 1/4" OD Flex-A-Thane®  
2 = 3/8" OD Flex-A-Thane®  
3 = 7/16" OD Flex-A-Thane®  
4 = 1/4" OD Flex-A-Prene®  
5 = 5/16" OD FKM  
6 = 3/8" OD Flex-A-Prene®  
7 = 7/16" OD Flex-A-Prene®  
8 = 7/16" OD Flex-A-Chem®

### Maximum Flow rate and pressure capacities:

Tube no.	Tubing Material	14 RPM MODELS					30 RPM MODELS					45 RPM MODELS					60 RPM MODELS				
		ml/m	oz/m	lph	gph	PSI(bar)	ml/m	oz/m	lph	gph	PSI(bar)	ml/m	oz/m	lph	gph	PSI(bar)	ml/m	oz/m	lph	gph	PSI(bar)
1	Flex-A-Thane®	15	0.51	0.90	0.24	65(4.5)	35	1.18	2.10	0.55	65(4.5)	54	1.83	3.24	0.86	65(4.5)	67	2.26	4.02	1.06	65(4.5)
2	Flex-A-Thane®	32	1.08	1.92	0.51	65(4.5)	75	2.54	4.50	1.19	65(4.5)	115	3.89	6.90	1.82	65(4.5)	140	4.73	8.40	2.22	65(4.5)
3	Flex-A-Thane®	73	2.47	4.37	1.16	50(3.5)	173	5.85	10.38	2.74	50(3.5)	261	8.82	15.66	4.14	50(3.5)	326	11.01	19.56	5.17	50(3.5)
4	Flex-A-Prene®	6	0.20	0.36	0.10	100(6.9)	13	0.44	0.78	0.21	100(6.9)	21	0.71	1.26	0.33	100(6.9)	25	0.85	1.50	0.40	75(5.2)
5	FKM	11	0.37	0.66	0.17	25(1.7)	26	0.88	1.56	0.41	25(1.7)	39	1.31	2.34	0.62	25(1.7)	48	1.62	2.88	0.76	25(1.7)
6	Flex-A-Prene®	18	0.61	1.08	0.29	100(6.9)	42	1.42	2.52	0.67	100(6.9)	63	2.13	3.78	1.00	100(6.9)	79	2.67	4.74	1.25	75(5.2)
7	Flex-A-Prene®	57	1.92	3.42	0.90	50(3.5)	138	4.66	8.28	2.19	50(3.5)	200	6.76	12.00	3.17	50(3.5)	250	8.45	15.00	3.96	50(3.5)
8	Flex-A-Chem®	40	1.35	2.40	0.63	50(3.5)	84	2.80	5.04	1.31	50(3.5)	140	4.73	8.40	2.22	50(3.5)	180	6.10	10.80	2.85	50(3.5)

Gallons shown are U.S. Gallons

### Replacement Pump Tubes:

Pump Model Number Suffix	Pump Tube Part Number	Pump Tube Material	Nominal Pump Tube OD
-1T	A1-1T	Flex-A-Thane®	1/4" (6,4mm)
-2T	A1-2T	Flex-A-Thane®	3/8" (9,5mm)
-3T	A1-3T	Flex-A-Thane®	7/16" (11,1mm)
-4T	A1-4T	Flex-A-Prene®	1/4" (6,4mm)
-5T	A1-5T	FKM	5/16" (7,9mm)
-6T	A1-6T	Flex-A-Prene®	3/8" (9,5mm)
-7T	A1-7T	Flex-A-Prene®	7/16" (11,1mm)
-8T	A1-8T	Flex-A-Chem®	7/16" (11,1mm)

**Blue-White Industries, Ltd.**

5300 Business Drive, Huntington Beach, CA 92649  
Tel: 714-893-8529 Fax: 714-894-9492  
www.blue-white.com Email: sales@blue-white.com