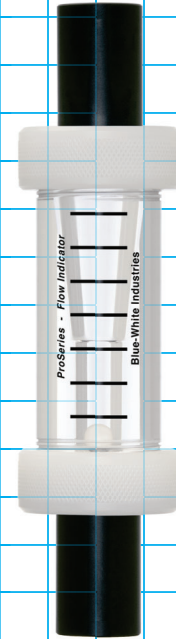


FI-100 Flow Indicator

1/2" PVC Slip or M/NPT Connections



Features:

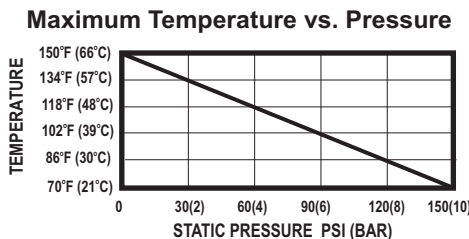
- Tough machined acrylic body, annealed, highly polished to a clear finish.
- Direct reading permanent scale.
- Minimum detectable flow rate = 50 ml/min (0.80 GPH).
- Maximum flow rate = 160 GPH.
- PVC adapters with high grade Viton o-ring seals and polypropylene half unions.
- Ceramic flow indicator ball.
- Acceptable in direct sunlight applications.

Materials of Construction:

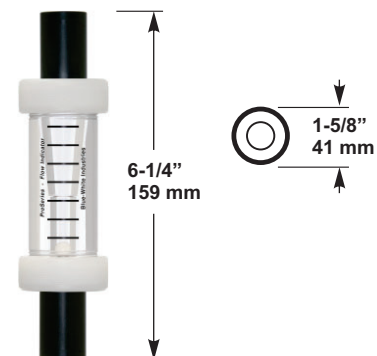
Meter Body:Annealed Cast Acrylic Rod
 Adapters:PVC
 O-ring seals:Viton® (optional EP)
 Flow indicator ball:Ceramic
 Half Unions:Polypropylene

Specifications:

Max. working pressure:150 PSI (10.3 bar) @ 70° F (21° C)
 Max. Fluid Temperature:150° F (65° C) @ 0 PSI
 Scale length:2" (50mm)
 Environment:Acceptable for direct sunlight exposure.
 Approximate shipping wt: ...0.5 lb. (.23 kg)



Dimensions:



Model Numbers:

Model Number	Pipe Connection	Float Material	O-ring Material	Body Material
FI-100-8SV	1/2" PVC glue/slip	Ceramic Ball	Viton	Cast Acrylic
FI-100-8SE	1/2" PVC glue/slip	Ceramic Ball	EP	Cast Acrylic
FI-100-8MV	1/2" PVC Male NPT	Ceramic Ball	Viton	Cast Acrylic
FI-100-8ME	1/2" PVC Male NPT	Ceramic Ball	EP	Cast Acrylic