

### A-100NFP

- Variable Speed**
- Dial Knob Control**
- Enhanced Tube Failure Detection**
- Oil and Water Based Polymers**



#### Features:

- Peristaltic pump design does not have valves that can clog requiring maintenance.
- Self priming - even against maximum line pressure. By-pass valves are not required. Cannot vapor lock or lose prime.
- Outputs to 5.17 GPH (19.56 LPH).
- Output pressures to 65 PSI (4.5 bar).
- Output volume is not effected by changes in back pressure.
- Patented pump tube design installs easily and stays centered on the rollers without manual adjustment.
- Two pump tubes supplied with each pump. No extra tubing required.
- Easy to use dial knob speed adjustment.
- Built-in Tube Failure Detection Plus system (TFD+). Senses chemical in the pump head, shuts off the pump and activates an NPN open collector output.
- Compatible with Blue-White's output flow verification sensor system.
- Durable housing of chemical resistant Valox (PBT) thermoplastic.

#### Specifications:

Max. working pressure:	.....65 psig (4.5 bar)	Voltage (amp draw):	.....115VAC/60Hz, 1ph (.513 amp max)
Max. fluid temperature:	.....130° F (54° C)		230VAC/60Hz, 1ph (.563 amp max)
Max. ambient temperature:	...14° to 110° F/ -10° to 43° C		220VAC/50Hz, 1ph (.660 amp max)
Output adjustment range:	....10-100% in 1% increments		240VAC/50Hz, 1ph (.585 amp max)
Duty cycle:	.....Continuous	Power Cord Plug Type:	.....115V60Hz = NEMA 5/15 (USA)
Maximum viscosity:	.....5,000 Centipoise		230V60Hz = NEMA 6/15 (USA)
Maximum suction lift:	.....30 ft. Water 0 psig		220V50Hz = CEE 7/VI (EUROPE)
Maximum Solids:	.....50% by volume		240V50Hz = CEE 7/VI (EUROPE)
Enclosure:	.....NEMA 3R, (IP23)	Approximate shipping wt:	...12 lb. (5.4 kg)

#### Materials of Construction:

##### Wetted components:

Pump Tube Assembly:	.....Flex-A-Thane <sup>®</sup>
Suction Tubing:	.....Clear PVC
Suction Strainer:	.....Natural Polypropylene
Discharge Tubing:	.....Natural Polyethylene (LLDPE)
Injection/Check valve:	
Body & insert:	.....Polypropylene (optional PVDF)
Check Ball:	.....Ceramic
Spring:	.....Hastelloy C-276
Ball Seat O-ring:	.....TFE/P (optional EP)
Static Seal O-ring:	.....FKM (optional EP)

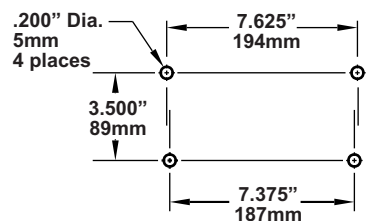
##### Non-Wetted components:

Pump Head & Enclosure:	.....Valox <sup>®</sup> (PBT) thermoplastic
Pump Head Cover:	.....Clear Acrylic
Cover Screws:	.....300 Stainless, Polypropylene cap
Roller Assembly:	
Rotor:	.....Valox <sup>®</sup> (PBT)
Rollers:	.....Nylon
Roller Bearings:	.....Bronze
Motor Shaft:	.....Nickel plated steel
TFD System Sensor pins:	.....Hastelloy C-276
Power Cord:	.....3 conductor, SJTW-A Water-resistant

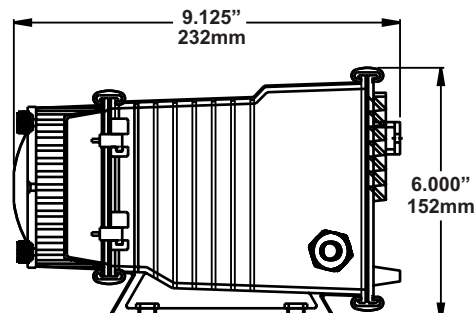
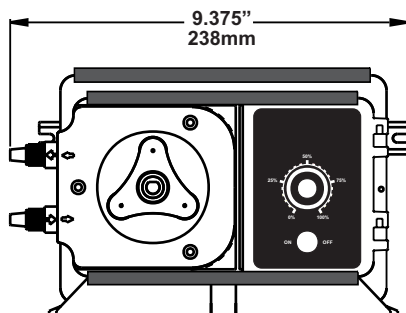
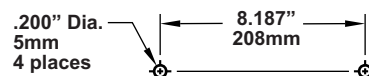
# Blue-White® FLEXFLO® Peristaltic Metering Pumps Industries, Ltd.

## Dimensions:

### Base Mounting



### Rear Panel Mounting



## Model Number Matrix:

MODEL A1N [ ] [ ] F - [ ] [ ] - P

### Maximum Motor RPM

- 0 = 14 RPM
- 1 = 30 RPM
- 2 = 45 RPM
- 3 = 60 RPM

### Power Supply

- 0 = 115V60Hz, power cord NEMA 5/15 (US)
- 1 = 220V50Hz, power cord CEE 7/VII plug (EU)
- 2 = 230V60Hz, power cord NEMA 6/15 (US)
- 8 = 240V50Hz, power cord AS 3112 (ANZ)
- 9 = 230V50Hz, power cord BS 1363 (UK)

### Output Control

- V = Digital speed control with external input
- F = Analog speed control

### Miscellaneous Options (not required)

- 1 = T140-6V injector replaces A-014N-6A
- 2 = C-340V footvalve replaces C-342-6 strainer
- 5 = A-014NK-6A injector PVDF
- 6 = Jumper set for digital square wave input
- T7 = 7 gallon chemical tank system
- T15 = 15 gallon chemical tank system
- T30 = 30 gallon chemical tank system
- P = Polymer Pump equipped with TFD+

### Tubing Connection Type

- T = Compression tube nuts

### Pump Tube Size and Material

- 1 = 1/4" OD Flex-A-Thane®
- 2 = 3/8" OD Flex-A-Thane®
- 3 = 7/16" OD Flex-A-Thane®

## Maximum Flow rate and pressure capacities:

Model Number	Feed Rate	RPM	Max PSI (BAR)	Pump Tube Part Number	Pump Tube Material	Nominal Pump Tube OD
A1N0*F-1T-P	1.5 - 15 ML/min	14	65 (4.5)	A1-1T	Flex-A-Thane®	1/4" (6,4mm)
A1N1*F-1T-P	3.5 - 35 ML/min	30	65 (4.5)	A1-1T	Flex-A-Thane®	1/4" (6,4mm)
A1N3*F-1T-P	6.7 - 67 ML/min	60	65 (4.5)	A1-1T	Flex-A-Thane®	1/4" (6,4mm)
A1N3*F-2T-P	14.0 - 140 ML/min	60	65 (4.5)	A1-2T	Flex-A-Thane®	3/8" (9,5mm)
A1N2*F-3T-P	26.1 - 261 ML/min	45	50 (3.5)	A1-3T	Flex-A-Thane®	7/16" (11,1mm)
A1N3*F-3T-P	32.6 - 326 ML/min	60	50 (3.5)	A1-3T	Flex-A-Thane®	7/16" (11,1mm)