

S6A

Chemical Feed Flow Meter



Features

- > Inline pipe fittings for easy installation
- > Isolated 4-20 mA output - fully configurable
- > Process control via configurable solid state relay
- > User configurable flow rate and total set-point triggers
- > True unions for ease of maintenance

Video link: 

NEMA 4X

Highlights

Flow rate

10 - 10,000 mL/min
(0.158 - 158.5 GPH)

Pressure

200 PSI
(13.78 bar)

Body material

PVDF

Pipe sizes

1/2" barb, 1/2" M/NPT
or 1/2" slip

Display options

Remote mount or
meter mount

Warranty

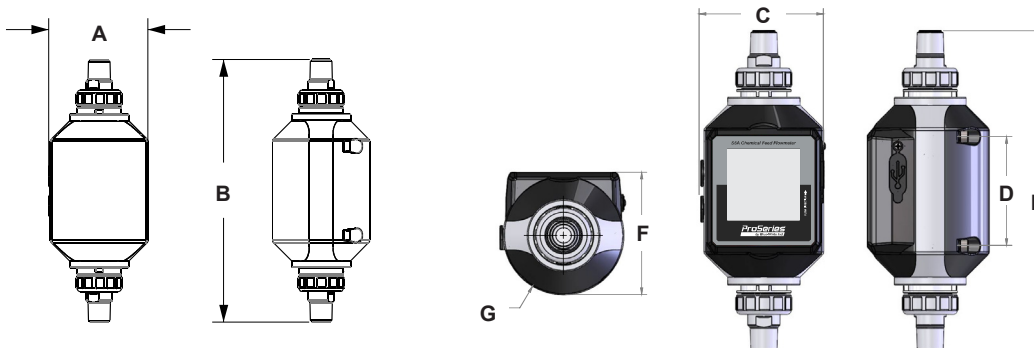
2 Years



General Operation		Electronics / Hardware SPU (Signal Processing Unit):	
Compatible Fluid Types	Acoustically conductive fluids, particulate and bubbles with 50,000 ppm or less	Power Requirements	5 VDC; 5 watts maximum
	Water		Operating Temp: 14 to 104 °F (-10 °C to 40 °C)
	Aqueous Ammonia 10%	Environmental Conditions	Storage: -40 °F to 158 °F (-40 °C to 70 °C)
	Ammonium Hydroxide 30%		Relative Humidity: 0% to 90%
	Ferric Chloride 40%	Volume Units	Independently configurable Rate and Total units in: U.S. Gallons, Liters, or Milliliters.
	Sodium Bisulfite 40%		Time Units
	Sodium Hypochlorite 12.5%	Flow Rate Averaging	Selectable: 1, 4, 8, 16, and 32 seconds.
	Sodium Permanganate 40%		Data Outputs
Hydrofluorosilicic Acid 25%	Ammonium Sulfate 10%	0-1,000 Hz pulse output - fully configurable	
Blue-Central® Software:		Software Language	
Compatible Operating Systems	Windows 10	English	
	Mac (OSX 10.11/10.12/10.13)	One Solid State Relay	
	Configurable 4-20ma, Pulse Output, Frequency Output,	Load capacity: 24VDC, 100mA max (ex. supplied)	
	Solid State Relay Set-Point	Process Control	
Software Features	Monitor flow rate in real time	Configure to flow rate for high/low/range rate trigger. Programmable release values enable auto release or manual latching operation.	
	Monitor total volume in real time	Configure to flow total for automatically triggered, timed batch operations for proportional feed applications.	
	Monitor meter diagnostics		
	Field Upgradable Firmware		
	Factory Resettable		
Computer Connector	USB-C (USB-A to USB-C cable included)		

Dimensions

Dim	Inch	cm
A	3.8"	9.7
B	10.0"	25.4
C	3.9"	9.9
D	3.4"	8.6
E	10.02"	25.5
F	3.8"	9.7
G	3.7"	9.4



Materials of Construction

Wetted Components:

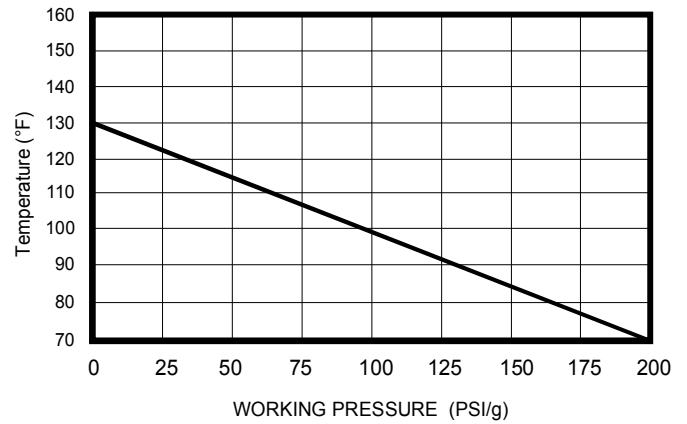
Transducer	PEEK
Body	PVDF
O-Rings	TFE/P (optional EP)
Fittings (Included)	PVDF 1/2" I.D. Barb
	PVDF 1/2" I.D. Barb Elbow
	PVDF 1/2" M/NPT
	PVDF 1/2" M/NPT Elbow
	PVC 1/2" Slip

Performance

S6A

S6A Chemical Feed Flow Meter

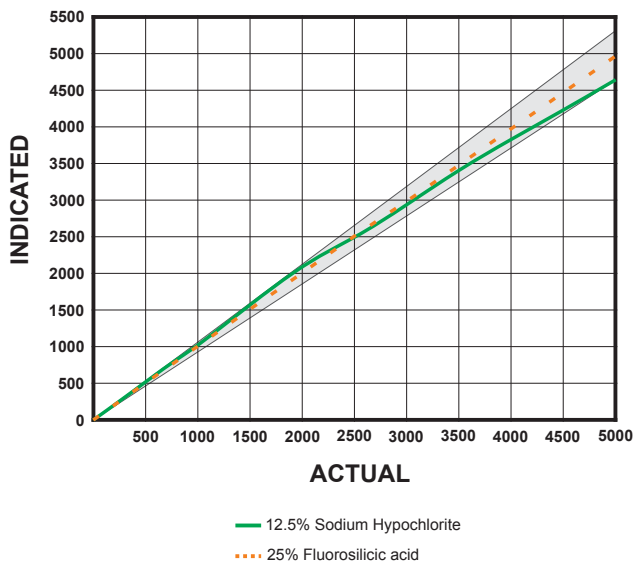
TEMPERATURE VS PRESSURE



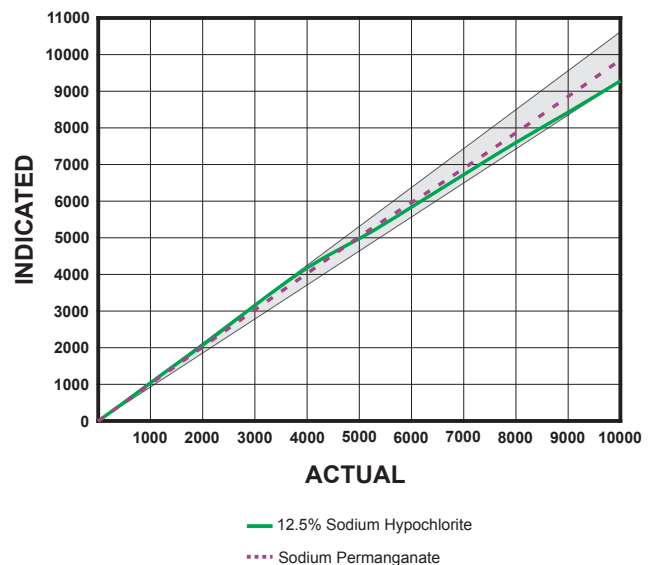
Performance

Customized Setpoint Accuracy Charts

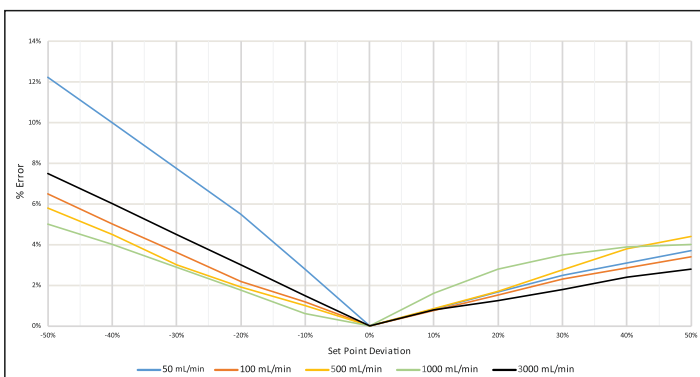
S6A1 ACCURACY RANGE



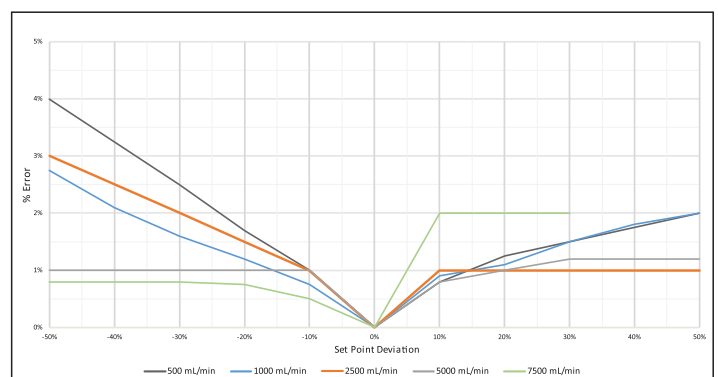
S6A2 ACCURACY RANGE



S6A1 SETPOINT ACCURACY



S6A2 SETPOINT ACCURACY



NOTE: Customizing a setpoint allows the user to increase the accuracy of the meter at a targeted feed rate.

Model Number Matrix

S6A

Chemical Meter Model Number

S6A	S6A Chemical Feed Flow Meter				
Flow Range					
1	10 - 5000 mL/min (0.158 - 79.2 GPH)				
2	100 - 10,000 mL/min (1.58 - 158.5 GPH)				
Display Options					
1	Remote Mount Display				
2	Meter Mount Display				
Elastometer Material (O-Ring)					
V	TFE/P				
E	EP				
Meter Fittings					
X	Standard Equipment - Includes 1/2" I.D. Barb Fittings (Straight & Elbow Adapters), 1/2" MPT Fittings (Straight and Elbow Adapters), 1/2" PVC Slip Male Adapters.				
S6A	1	1	V	X	Sample Model Number

Display Options

