

QUICK DISCONNECT KITS



Features

- > Minimize leaks when changing tubes/parts
- > Act as check valves when detached
- > Red discharge QD includes active check valve (acts as a check valve while pumping)
- > Corrosion resistant PVDF
- > Easy to order with pumps. Compatible with A2, A3, A4, and CD1
- > Available fitting types: 1/2" MNPT
1/2" Hose Barb
1/4" x 3/8" tubing connection

Video link: 

Highlights

Material

Corrosion Resistant
PVDF

Chemical Resistant

Compatible with Most
Acids and Alkalis

Simple

One Size Fits All

Operator Safety

Minimize Exposure to
Chemicals

Ergonomic

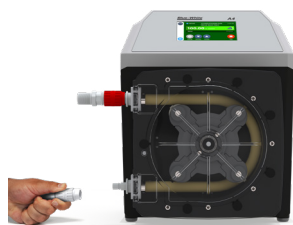
Minimize Worker Strain
and Increase Productivity

Warranty

12 Months



A3 FlexFlo® Pump



A4 FlexFlo® Pump



CD1 Chem-Feed® Pump



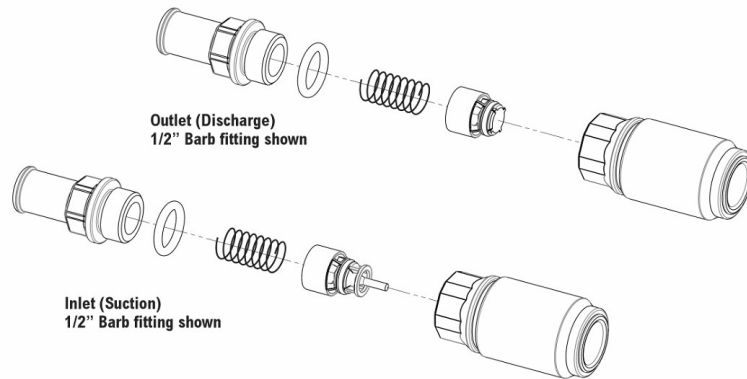
For more help and information regarding Quick Disconnects, please visit www.blue-white.com or scan this QR code.

Engineering Specifications

General Operation

Compatible with Pump Models	A2, A3, A4, FLEXFLO® Peristaltic Pumps
	CD1 CHEM-FEED® Diaphragm Pumps
Max Pressure	150 PSI
Max Temperature	266 F / 130 C
Material	PVDF Body / Hastelloy Springs / FKM, EP, Aflas O-rings
Suction Connector	White - Includes release engaged check valve
Discharge Connector	Red - Includes active check valve
Connection Types	1/2" MNPT, 1/2" Hose Barb, 1/4" x 3/8" tubing compression*
Shipping Weight	1 lbs (0.7 kg)

Exploded View



Ordering Information

Part #	Connection Fittings	O-rings	Pump Compatibility
KIT-QBV	1/2" Hose Barb	FKM	A2, A3, A4
KIT-QBE	1/2" Hose Barb	EP	A2, A3, A4
KIT-QBA	1/2" Hose Barb	Aflas	A2, A3, A4
KIT-QMV	1/2" Male NPT	FKM	A2, A3, A4
KIT-QME	1/2" Male NPT	EP	A2, A3, A4
KIT-QMA	1/2" Male NPT	Aflas	A2, A3, A4
KIT-QSV	1/4" ID x 3/8" OD Tube Compression	FKM	A2, A3
KIT-QSE	1/4" ID x 3/8" OD Tube Compression	EP	A2, A3
KIT-QSA	1/4" ID x 3/8" OD Tube Compression	Aflas	A2, A3
KIT-CQE	1/2" Hose Barb, 1/2" Male NPT, and	EP	CD1
KIT-CQA	1/4" ID x 3/8" OD Tube Compression	Aflas	CD1



KIT-QBV / KIT-QBE / KIT-QBA



KIT-QMV / KIT-QME / KIT-QMA



KIT-QSV / KIT-QSE / KIT-QSA



KIT-CQE / KIT-CQA