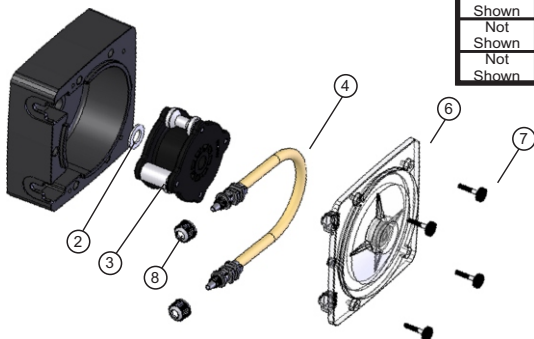


6.5 Flex-Pro Model A3 replacement parts list

	Item	Description	Part Number	QTY
	2	Spacer, Back	90011-184	1
Flex-A-Prene®	3	Roller Assembly Complete (Rotor), For ND Tubes	A3-SND-R	1
	4	Tube Assembly, 3/8" OD tube compression fitting, Flex-A-Prene® ND (.075 ID)	A3-SND-T	1
	4	Tube Assembly, 1/2" Male NPT connect, Flex-A-Prene® ND (.075 ID)	A3-MND-T	1
Flex-A-Prene®	3	Roller Assembly Complete (Rotor), For NJ, NK, NE, and NGG Tubes	A3-SNGG-R	1
	4	Tube Assembly, 3/8" OD tube compression fitting, Flex-A-Prene® NJ (.312 ID)	A3-SNJ-T	1
	4	Tube Assembly, 1/2" Male NPT connect, Flex-A-Prene® NJ (.312 ID)	A3-MNJ-T	1
	4	Tube Assembly, 3/8" OD tube compression fitting, Flex-A-Prene® NK (.375 ID)	A3-SNK-T	1
	4	Tube Assembly, 1/2" Male NPT connect, Flex-A-Prene® NK (.375 ID)	A3-MNK-T	1
	3	Roller Assembly Complete (Rotor), For NKL Tubes	A3-STH-R	1
	4	Tube Assy, 3/8" OD tube comp, Flex-A-Prene® NKL (.375 ID) Low Pressure (30 psi max)	A3-SNKL-T	1
	4	Tube Assy, 1/2" Male NPT, Flex-A-Prene® NKL (.375 ID) Low Pressure (30 psi max)	A3-MNKL-T	1
Flex-A-Prene®	3	Roller Assembly Complete (Rotor), For NJ, NK, NEE and NGG Tubes	A3-SNGG-R	1
	4	Tube Assembly, Quick Disconnect, Flex-A-Prene® NEE (0.093 ID)*	A3-QNEE-T	1
	4	Tube Assembly, 3/8" OD tube compression fitting, Flex-A-Prene® NEE (0.093 ID)	A3-SNEE-T	1
	4	Tube Assembly, 1/2" Male NPT, Flex-A-Prene® NEE (0.093 ID)	A3-MNEE-T	1
	4	Tube Assembly, 1/2" Hose Barb, Flex-A-Prene® NEE (0.093 ID)	A3-BNEE-T	1
	4	Tube Assembly, 1/2" - 3/4" tri-clamp (Sanitary Fitting), Flex-A-Prene® NEE (0.093 ID)	A3-CNEE-T	1
	4	Tube Assembly, Quick Disconnect, Flex-A-Prene® NGG (0.187 ID)*	A3-QNGG-T	1
	4	Tube Assembly, 3/8" OD tube compression fitting, Flex-A-Prene® NGG (0.187 ID)	A3-SNGG-T	1
	4	Tube Assembly, 1/2" Male NPT, Flex-A-Prene® NGG (0.187 ID)	A3-MNGG-T	1
	4	Tube Assembly, 1/2" Hose Barb, Flex-A-Prene® NGG (0.187 ID)	A3-BNGG-T	1
	4	Tube Assembly, 1/2" - 3/4" tri-clamp (Sanitary Fitting), Flex-A-Prene® NGG (0.187 ID)	A3-CNGG-T	1
Flex-A-Chem®	3	Roller Assembly Complete (Rotor), For TH Tubes	A3-STH-R	1
	4	Tube Assembly, 3/8" OD tube compression fitting, Flex-A-Chem® TH (.250 ID)	A3-STH-T	1
	4	Tube Assembly, 1/2" Male NPT, Flex-A-Chem® TH (.250 ID)	A3-MTH-T	1
	3	Roller Assembly Complete (Rotor), For TK Tubes	A3-SNGG-R	1
	4	Tube Assembly, 3/8" OD tube compression fitting, Flex-A-Chem® TK (.375 ID)	A3-STK-T	1
	4	Tube Assembly, 1/2" Male NPT, Flex-A-Chem® TK (.375 ID)	A3-MTK-T	1
Flex-A-Thane®	3	Roller Assembly Complete (Rotor), For GE, GG, GH, GK, G2G Tubes	A3-SGE-R	1
	4	Tube Assembly, 3/8" OD tube compression fitting, Flex-A-Thane® GE (.125 ID)	A3-SGE-T	1
	4	Tube Assembly, 1/2" Male NPT connect, Flex-A-Thane® GE (.125 ID)	A3-MGE-T	1
	4	Tube Assembly, 3/8" OD tube compression fitting, Flex-A-Thane® GG (.187 ID)	A3-SGG-T	1
	4	Tube Assembly, 1/2" Male NPT connect, Flex-A-Thane® GG (.187 ID)	A3-MGG-T	1
	4	Tube Assembly, 3/8" OD tube compression fitting, Flex-A-Thane® GH (.250 ID)	A3-SGH-T	1
	4	Tube Assembly, 1/2" Male NPT connect, Flex-A-Thane® GH (.250 ID)	A3-MGH-T	1
	4	Tube Assembly, 3/8" OD tube compression fitting, Flex-A-Thane® GK (.375 ID)	A3-SGK-T	1
	4	Tube Assembly, 1/2" Male NPT connect, Flex-A-Thane® GK (.375 ID)	A3-MGK-T	1
	4	Tube Assembly, 3/8" OD tube compression fitting, Flex-A-Thane® G2G (.187 ID)	A3-SG2G-T	1
	4	Tube Assembly, 1/2" Male NPT connect, Flex-A-Thane® G2G (.187 ID)	A3-MG2G-T	1
	6	Pump Head Cover, Polycarbonate - New design, backwards compatible	A3-SXX-C	1
	7	Thumb Screw	90011-183	4
	8	Tube Nut, Compression, For 3/8" Tubing	C-330-6	2
Not Shown		Stainless Steel mounting bracket kit (pair)	72000-379	1
Not Shown		Stainless Steel extended mounting bracket kit (pair)	72000-380	1
Not Shown		Rubber feet	90003-561	4



Flex-A-Prene® Upgrade Kit

Model #	Description
72000-537	Roller Assembly and Pump Head Cover

Upgrade existing A3 pumps with Flex-A-Prene® Upgrade Kit to be compatible with all new Flex-A-Prene® tubes.

*Quick Disconnect valves sold separately.

Note: ND and NKL tube assemblies are also available in "B", "C" and "Q" connection types.