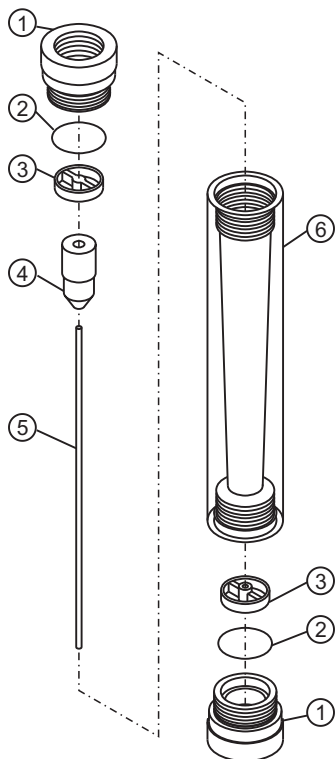


Exploded View and Parts List

EXPLODED VIEW



PARTS LIST

Item	Catalog Number	Description	Qty
1	F-4009	3/4" FPT Adapter (PP)	2
1	F-4011	1" FPT Adapter (PP)	2
2	F-4010K	O-ring, 127 (Viton)**	2
3	F-4013PP	Wire holder (PP)	2
4	-	Float (SS)*	1
5	F-4012	Guide Wire (SS)*	1
6	-	Meterbody (Acrylic)	1

Shading indicates item not sold separately

*Hastelloy C-276 Option Available
**EP Option Available

SS = # 316 Stainless Steel
PP = Polypropolyne

METER SPECS

Scale	Permanent dual scale silkscreen
Max Pressure	See Temperature vs. Pressure
Max Temperature	See Temperature vs. Pressure
Height	11" (279.4mm)
Width	1-3/4" (44.45mm)
Accuracy	± 5% of full scale reading

Application Notes

Although meters may be suitable for other chemicals, Blue-White cannot guarantee their suitability. It is the responsibility of the user to determine the suitability of the flowmeter in their application. **Flowmeters are tested and calibrated for water only.**

Maintenance

The "Exploded View" drawing illustrates assembly of the F-410N series meter. If your flowmeter needs to be cleaned refer to this drawing when reassembling the unit. The tapered tube may be cleaned with a soft bottle brush. Use a MILD soap and water solution for cleaning purposes. Note the floats "up" position.