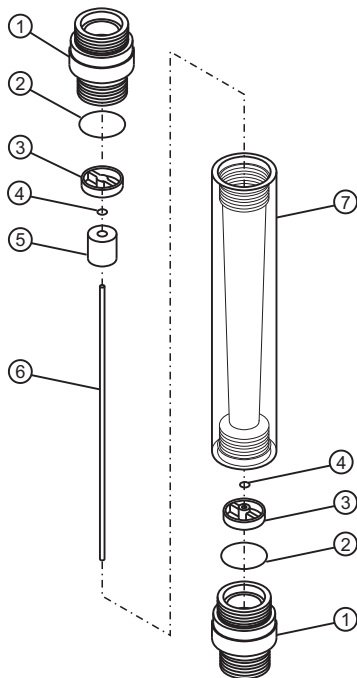


Exploded View and Parts List

EXPLODED VIEW



PARTS LIST

Item	Catalog Number	Description	Qty
1	76001-026	1.0" FPT Adapter (PVC)	2
1	76001-028	1.5" MPT Adapter (PVC)	2
2	2-127V	O-ring (Viton)	2
3	91001-159	Wire holder (PSF)	2
4	2-006A	O-ring (Aflas)	2
5	-	Float (SS)*	1
6	F-4212	Guide Wire (SS)*	1
7	-	Meterbody (Acrylic)	1

Shading indicates item not sold separately

*Hastelloy C-276 Option Available

**EP Option Available

SS = # 316 Stainless Steel

PP = Polypropylene

PVC = Polyvinyl chloride

PSF = Polysulfone

METER SPECS

Scale	Permanent dual scale silkscreen
Max Pressure	See Temperature vs. Pressure chart*
Max Temperature	See Temperature vs. Pressure chart*
Height	12" (305.0mm)
Width	2" (51.0mm)
Accuracy	± 5% of full scale reading

Application Notes

Although meters may be suitable for other chemicals, Blue-White cannot guarantee their suitability. It is the responsibility of the user to determine the suitability of the flowmeter in their application. **Flowmeters are tested and calibrated for water only.**

Maintenance

The "Exploded View" drawing illustrates assembly of the F-420N series meter. If your flowmeter needs to be cleaned refer to this drawing when reassembling the unit. The tapered tube may be cleaned with a soft bottle brush. Use a MILD soap and water solution for cleaning purposes. Note the floats "up" position.