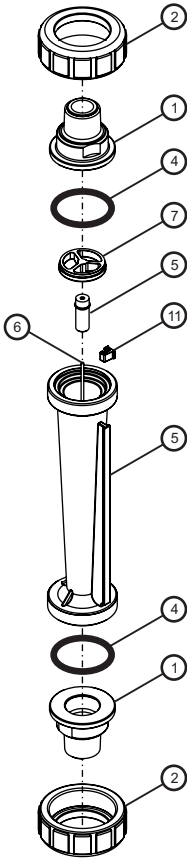


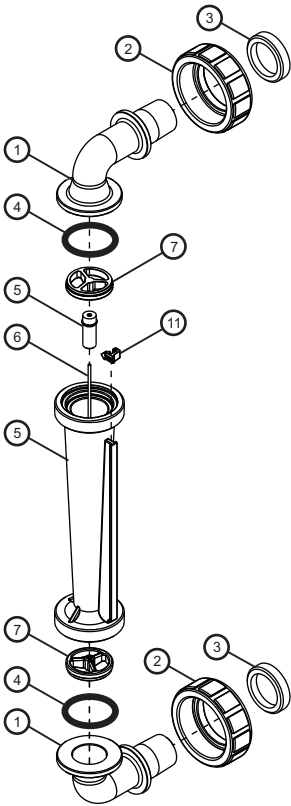
F-440 - In-Line

No.	Part No.	Desc.
1	F-44N07	3/8" Male NPT in-line adapter, Polysulfone
	F-44N08	1/2" Male NPT in-line, Polysulfone
	F-44N24	1/2" Male NPT in-line, Brass
	F-44N22	1/2" SWEAT in-line, Brass
	F-44N09	3/4" Male NPT in-line, Polysulfone
	F-44N25	3/4" Male NPT in-line, Brass
	F-44N23	3/4" SWEAT in-line, Brass
	F-45N011	3/8" Male NPT in-line, Polysulfone, large body
F-45N013	1/2" Male NPT in-line, Polysulfone, large body	
2	F-44N05	3/8" and 1/2" Half Union, Nylon
	F-44N05AL	3/8" and 1/2" Half Union, Aluminum
	F-44N06	3/4" Half Union, Nylon
4	F-44N06AL	3/4" Half Union, Aluminum
	90003-152	3/8" and 1/2" O-ring seal, Viton
	90003-153	3/8" and 1/2" O-ring seal, EP
	90003-082	3/4" O-ring seal, Viton
5	90003-039	3/4" O-ring seal, EP
	N/A	Meterbody and Float not sold separately
6	F-44N14	3/8" and 1/2" Guide Rod, 316 Stainless Steel
	F-44N15	3/4" Guide Rod, 316 Stainless Steel
	F-44N14H	3/8" and 1/2" Guide Rode, Hastelloy C-276
	F-44N15H	3/4" Guide Rod, Hastelloy C-276
7	F-45N007	3/8" and 1/2" Guide Rod holder, Polysulfone
7	F-45N019	3/4" Guide Rod holder, Polysulfone
11	F-45N043	Indicator, Red

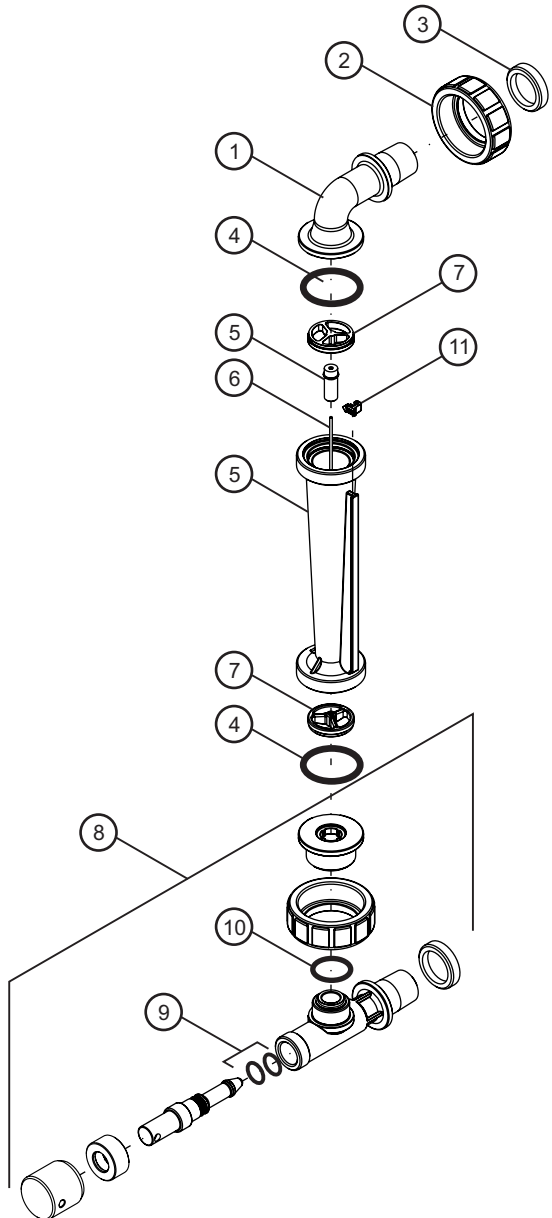


F-440E - Elbow (Panel Mount)

No.	Part No.	Description
1	F-44N40	3/8" Male NPT 90° Elbow, Polysulfone
	F-44N20	1/2" Male NPT 90° Elbow, Polysulfone
	F-44N21	3/4" Male NPT 90° Elbow, Polysulfone
	F-44N42	1/2" Male NPT 90° Elbow, Polysulfone
2	F-44N05	3/8" and 1/2" Half Union, Nylon
	F-44N06	3/4" Half Union, Nylon
3	F-4427A	3/8" and 1/2" Panel mount lock nut
	F-4428A	3/4" Panel mount lock nut
4	90003-152	3/8" and 1/2" O-ring seal, FKM
	90003-153	3/8" and 1/2" O-ring seal, EP
	90003-082	3/4" O-ring seal, FKM
	90003-039	3/4" O-ring seal, EP
5	N/A	Meterbody and Float (sold together)
6	F-44N14	3/8" & 1/2" Guide Rod, 316 SS
	F-44N15	3/4" Guide, 316 SS
	F-44N14H	3/8" & 1/2" Guide Rod, Hastelloy C-276
	F-44N15H	3/4" Guide Rod, Hastelloy C-276
7	F-45N007	3/4" Guide Rod, Hastelloy C-276
	F-45N019	3/4" Guide Rod holder, Polysulfone
11	F-45N043	Indicator, Red



F-440A - Adjustable (Panel Mount)



F-440A - Adjustable (Panel Mount)

No.	Part No.	Description
1	F-44N40	3/8" Male NPT 90° Elbow, Polysulfone
	F-44N20	1/2" Male NPT 90° Elbow, Polysulfone
	F-44N21	3/4" Male NPT 90° Elbow, Polysulfone
	F-44N42	1/2" Male NPT 90° Elbow, Polysulfone
2	F-44N05	3/8" and 1/2" Half Union, Nylon
	F-44N06	3/4" Half Union, Nylon
3	F-4427A	3/8" and 1/2" Panel mount lock nut
	F-4428A	3/4" Panel mount lock nut
4	90003-152	3/8" and 1/2" O-ring seal, FKM
	90003-153	3/8" and 1/2" O-ring seal, EP
	90003-082	3/4" O-ring seal, FKM
	90003-039	3/4" O-ring seal, EP
5	N/A	Meterbody and Float (sold together)
6	F-44N14	3/8" & 1/2" Guide Rod, 316 SS
	F-44N15	3/4" Guide, 316 SS
	F-44N14H	3/8" & 1/2" Guide Rod, Hastelloy C-276
	F-44N15H	3/4" Guide Rod, Hastelloy C-276
7	F-45N007	3/4" Guide Rod, Hastelloy C-276
	F-45N019	3/4" Guide Rod holder, Polysulfone
8	F-44N40-1	3/8" M/NPT Valve Assm. Sm, Poly, FKM seal
	F-44N40-2	1/2" M/NPT Valve Assm. Sm, Poly, FKM seal
	F-45N031-1	3/8" M/NPT Valve Assm. Lg, Poly, FKM seal
	F-45N031-2	1/2" M/NPT Valve Assm. Lg, Poly, FKM seal
	F-45N031-3	3/4" M/NPT Valve Assm. Lg, Poly, FKM seal
9	90003-010	O-Ring, FKM
	90003-009	O-Ring, EP
10	90003-018	O-Ring, FKM
	90003-071	O-Ring, EP
11	F-45N043	Indicator, Red